



The new degree of comfort.®

TANKLESS WATER HEATING
PARTS &
ACCESSORIES
2023 CATALOG



Water | Tankless Water Heating | Replacement Parts and Accessories

Table of Contents

General Terms and Conditions.....	3
Contact Information.....	4
Parts Kits.....	5
Tankless Accessories.....	6-10
Tankless Venting.....	11-14
Commercial Common Venting.....	15-19
Parts for RTGH-S, RTGH-SR Series.....	20-21
Parts for RTGH-DVL3 Series.....	22-23
Parts for RTG-DVL3 Series.....	24-25
Parts for RTG-XL3 Series.....	26-27
Parts for Commercial RTGH-C95DVL, RTGH-CM95DVL Series.....	28-29
Parts for Commercial RTGH-C95XL, RTGH-CM95XL Series.....	30-31
Tankless Model Cross Reference.....	32-33
Parts for RTGH-RH10DVL, RTGH-RH11DVL Series (out of production).....	34-35
Parts for RTGH-84DVL-1 or 2, RTGH-90DVL-1 or 2, RTGH-95DVL-1 or 2 Series (out of production).....	36-37
Parts for RTGH-84XL-1 or 2, RTGH-90XL-1 or 2, RTGH-95XL-1 or 2 Series (out of production).....	38-39
Parts for RTG-64DVL-1, RTG-70DVL-1, RTG-84DVL-1, RTG-95DVL-1 Series (out of production).....	40-41
Parts for RTG-64XL-1, RTG-70XL-1, RTG-84XL-1, RTG-95XL-1 Series (out of production).....	42-43
Parts for RTGH-84 RTGH-90, RTGH-95 DV & DVL Series (out of production).....	44-45
Parts for RTGH-84, RTGH-90, RTGH-95 X & XL Series (out of production).....	46-47
Parts for RTG-64, RTG-84, RTG-95, DV and DVL Series (out of production).....	48-49
Parts for RTG-64, RTG-84, RTG-95, X and XL Series (out of production).....	50-51

General Terms and Conditions

A comprehensive catalog of approved replacement parts

for Rheem®, Ruud®, Rheem®-Ruud®, Richmond®, EcoSense™, Paloma®, EcoSmart, WaiWela and Raypak tankless gas water heaters*.

Freight Allowance

Please see the Tankless Parts and Accessories Price Sheet for Freight Allowances.

Taxes

Prices are subject to the addition of any tax imposed by any present or future Federal, State, County or Municipal law on the sale of such material, unless we have a tax exemption certificate on file.

Acceptance of Orders

All orders are subject to final approval on the terms and conditions contained in our standard customer acknowledgment form.

Materials Return

Saleable, current component parts in a new or unused condition must have prior authorization by the Parts Packaging Supervisor or Customer Service before being returned. Parts may only be considered for return within 90 days from the original invoice date. Invoice numbers must be provided to Customer Service prior to obtaining a return authorization number. All parts returned without prior authorization will be destroyed or sent back to the sender at their expense. All returns will be subject to our inspection and a 25% restocking charge. Returned parts that are damaged or in a condition that prevents resale will not be credited. Service/Warranty Parts returned in accordance with warranty claim provisions do not require prior authorization, but will be subject to our inspection. See Price Sheet for Additional Conditions.

Parts Warranty

All tankless service parts are warranted for the remainder of the parts warranty covering the product they are being used to service. If no warranty is remaining on said product then the warranty will be for a period of 90 days from the date of purchase. Contact Technical Service for warranty information.

Accessories Warranty

All tankless accessories are warranted for a period of 1 year from the date of original purchase unless covered by a manufacturers warranty. Contact Technical Service for warranty information.

NOTE: *Tankless parts are excluded from all wholesaler volume discounts.*

Tankless Water Heater Unit Conversions

- * For Ruud, replace RTG with RUTG
- * For Richmond, replace RTG with RMTG
- * For all other brands, see cross reference on pages 32-33.

Contact Information

CONTACT INFORMATION

TANKLESS GAS:

Customer Service

Phone: 800.621.5622

Product Information/Online Lookup

rheemparts.com

parts.rheem.com

Warranty

customerservice@rheem.com

Technical Service

Phone: 800.432.8373

Email: TanklessGasTech@rheem.com

To Place an Order

Phone: 800.621.5622

Fax: 800.535.9538

ECONET®:

Technical Support

Phone: 800.255.2388

Monday - Friday, 8am - 8pm, EST

TANKLESS ELECTRIC:

Customer/Technical Support

800.374.8806

Hours of Operation

Monday - Friday, 9am - 5pm, EST

Email: support@rheemtankless.us



Based in Randleman, North Carolina with an 300,000 sq. ft. distribution center, the Replacement Parts Division provides products and services including the support of new equipment sales by providing OEM and replacement parts for Rheem equipment. To better support the entire country with faster delivery times and better stock levels, a second, 90,000 sq. ft. warehouse is located in West Valley, UT, primarily serving the west coast with their service parts and accessory needs. In addition to OEM, we sell and market aftermarket parts and products that are included in the installation, maintenance and servicing of HVAC equipment, water heaters and other residential power equipment.

Parts Kits (out of production)

Tankless Gas Water Heater Parts Kits

for Rheem Tankless Water Heaters

Rheem Tankless Gas Water Heater Service Parts Kits –

These kits, designed with the contractor in mind, provide all the basic parts necessary for a complete repair of a Rheem tankless gas water heater.

These kits include tankless replacement parts, such as:

Control Board	Gas Inlet Connector
Thermistors	Blower Motor
Gas Valve	Water Control Valves
Flame Rods	Drain Plug
Flame Rod Wires	Inlet Water Filter
Ignitor Coil	Screw Kit
Ignitor Rod	O-ring Kit
Gas Valve Assembly	

For full list of replacement parts, visit Rheemparts.com

PROTECH™



PROTECH PD966349 - Non-Condensing direct vent models (RTG-95DVL-1, RTG-84DVL-1, RTG-64DVL-1)

PROTECH PD966350 - Non-Condensing outdoor models (RTG-95XL-1, RTG-84XL-1, RTG-64XL-1)

PROTECH PD966351 - Condensing -1 models (RTGH-95DVL-1, RTGH-90DVL-1, RTGH-84DVL-1) (RTGH-95XL-1, RTGH-90XL-1, RTGH-84XL-1) (RTGH-C95DVL, RTGH-C95XL, RTGH-CM95DVL, RTGH-CM95XL)

PROTECH PD966377 - Condensing -2 models (RTGH-95DVL-2, RTGH-90DVL-2, RTGH-84DVL-2, RTGH-68DVL-2) (RTGH-95XL-2, RTGH-90XL-2, RTGH-84XL-2, RTGH-68XL-2)

PROTECH PD966376 - Condensing models with built-in recirculation (RTGH-RH models)

PROTECH PD966332 - Non-Condensing direct vent models (RTG-95DVL, RTG-84DVL, RTG-64DVL)

PROTECH PD966333 - Non-Condensing outdoor models (RTG-95XL, RTG-84XL, RTG-64XL)

PROTECH PD966334 - Condensing models (RTGH-95DVL, RTGH-90DVL, RTGH-84DVL) (RTGH-95XL, RTGH-90XL, RTGH-84XL)

Tankless Accessories

FINISH AND APPEARANCE

Pipe Covers

Enhance an indoor or outdoor installation by concealing the piping beneath the water heater while protecting from tampering and weather conditions. All pipe covers have a grey finish to match the tankless heater.



MODEL NUMBER	DESCRIPTION	COMPATIBLE WITH
RTG20227	Pipe Cover - Condensing Indoor & Outdoor 16-1/2" tall	All RTGH-2 models (excluding RTGH-RH and RTGH-S(R) models)
RTG20217DVG	Pipe Cover - Non-Condensing Indoor 16-1/2" tall	RTG-95DV, RTG-84DV, RTG-64DV, RTG-66DV models
RTG20217XG	Pipe Cover - Non-Condensing Outdoor 16-1/2" tall	RTG-95X, RTG-84X, RTG-64X, RTG-66X models
RTG20315*	Pipe Cover - Condensing with Recirculation	RTGH-RH models
RTG20322	Pipe Cover - Condensing with Recirculation 16-1/2" tall	RTGH-S(R) models
RTG20329AT	Condensing Pipe Cover Assembly	RTGH-DV-3 Models
RTG20330AJ	Non-Condensing Pipe Cover Assembly	RTG-DV/X-3 models

*This part is fulfilled through Rheem Water Heating Division. Not stocked at RPD.

Recess Boxes

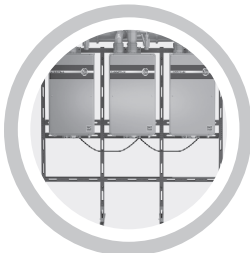
Enhance an outdoor installation by protecting the tankless unit from damage, tampering and weather. All recess boxes have a grey finish to match the tankless heater.



MODEL NUMBER	DESCRIPTION	COMPATIBLE WITH
RTG20226	Recess Box - Condensing Outdoor Rough in: 46" H, 19-1/2" W, 9-1/2" D	RTGH-84, RTGH-90, RTGH-95 X and XL models
RTG20253	Recess Box - Condensing Outdoor, in Stucco rough in: 46" H, 19-1/2" W, 9-1/2" D	RTGH-84, RTGH-90, RTGH-95 X and XL models
RTG20218	Recess Box - Non-Condensing Outdoor Rough in: 42" H, 14-1/2" W, 8-1/2" D	RTG-64, RTG-84, RTG-95 X and XL models
RTG20248	Recess Box - Non-Condensing Outdoor, in Stucco Rough in: 42" H, 14-1/2" W, 8-1/2" D	RTG-64XL, RTG-84XL, RTG-95XL models
RTG20243	Recess Box - Non-Condensing Outdoor Rough in: 42" H, 14-1/2" W, 8-1/2" D	RTG-95, RTG-84, RTG-64 X models
RTG20238	Retrofit Kit for 74X Recess Box Allows newer models to be used in first generation 74 Series without changing the box out. Includes: 2 brackets, hardware & instructions	RTG-95XL, RTG-84XL, RTG-64XL models
RTG20306	Recess Box Door Kit - Condensing Outdoor	All RTGH X -2 models
RTG20307	Recess Box Door Kit - Non-Condensing Outdoor	All RTG X -1 models
RTG20308	Recess Box Door Kit - Non-Condensing Indoor	All RTG DV -1 models
RTG20329AU	Recess Box Assy - Condensing Outdoor	RTGH-DV-3 Models
RTG20330AK	Recess Box Assy - Non-Condensing Outdoor	RTG-DV/X-3 models

Mounting

The flexible rack system is expandable to hold up to 20 units (with multiple racks) and can be used in three configurations: wall mounted or free standing side to side or back to back.



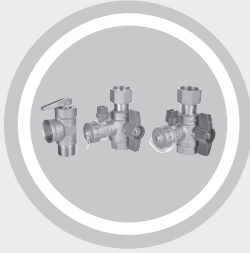
MODEL NUMBER	DESCRIPTION	COMPATIBLE WITH
RTG20304	EZ-Rack Kit - Easy to build rack for free-standing or wall-mounted tankless unit installations. Holds 1-2 units per rack.	All RTG and RTGH models, Indoor or Outdoor

Tankless Accessories

MAINTENANCE AND SERVICE

Valves

Tankless Service Valves allow for easy maintenance and service, such as flushing, for any tankless water heater. Pressure Relief Valve provides protection against excessive water pressure.



MODEL NUMBER	DESCRIPTION	COMPATIBLE WITH
RTG20326	Webstone Service Valves & Pressure Relief Valve Kit Contains hot and cold Webstone service valves plus Watts pressure relief valve.	All RTG and RTGH models, Indoor or Outdoor
RTG20264	Webstone Cold Water Service Valve	
RTG20265	Webstone Hot Water Service Valve	
AP12993C	Watts Pressure Relief Valve Rated 150 PSI - 3/4" threads (included in RTG20220AB)	
RTG20324	Edison Cold Water Service Valve	
RTG20326	Edison Service Valves & Pressure Relief Valve Kit	

Flush Kit

Connects easily to tankless service valves for flushing the heat exchanger with white vinegar. Simple to use. Recommended flushing every 500 hours of use (1 to 1-1/2 years).



MODEL NUMBER	DESCRIPTION	COMPATIBLE WITH
RTG20124	Includes: 5-gallon bucket, submersible pump, and two hoses	All RTG and RTGH models, Indoor or Outdoor

Water Treatment

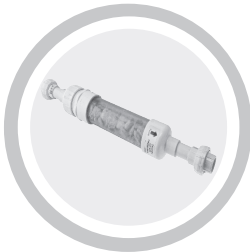
Combat hard water and scale build-up. Unit features a clear housing allowing you to see when it's time to replace the cartridge.



MODEL NUMBER	DESCRIPTION	COMPATIBLE WITH
RTG20251	AllClear™ Water Treatment System Includes one cartridge	All RTG and RTGH models used for residential applications
RTG20252	All Clear™ Replacement Cartridge	

Condensate Management

Condensing tankless water heaters produce condensate that must be neutralized for safe disposal. Many RTGH models feature built-in condensate neutralizer, RTGH-RH model requires external accessory. Also required for condensate produced in common venting in Commercial Tankless applications.



MODEL NUMBER	DESCRIPTION	COMPATIBLE WITH
RTG20329AR	External Condensate Neutralizer Accessory With PVC connections	RTGH, RTGH-S, RTGH-RH models
AP16770	Replacement Rocks for Condensate Neutralizer	SP12151 External Accessory
RXGY-A01	External Condensate Neutralizer Accessory With flex tubing connections	RTGH-RH models or Common Venting

Tankless Accessories

TANKLESS CONTROLS

Remote Control Options and EcoNet® Connectivity

Allow for easy temperature adjustment and maintenance information access. Connect your tankless water heater to EcoNet® for leak detection, auto shut-off, maintenance alerts, and temperature control from any smart device. Connect up to 3 remote controls, one of each type, to your tankless system for maximum control from multiple locations in the home.



To Convert Indoor Non-Wi-Fi Models to Wi-Fi, you must purchase the (1) Wi-Fi Display, (1) Display Wiring Harness, and (1) Leak Sensor Kit.

For outdoor models, you will need (1) Wi-Fi display, (1) Indoor display mount and the (1) Outdoor Wiring Harness (deactivates leak sensor).

MODEL NUMBER	DESCRIPTION	COMPATIBLE WITH
RTG20006DW	UMC-117 Main Remote Control (generic)	Compatible with all RTG and RTGH models except RTGH-RH
RTG20006DU	USC1-117 Bath Remote Control (generic)	
RTG20006DV	USC2-117 Second Bath Remote Control (generic)	
RTG20009-1	10-ft Thermostat Wire, 1 pair 18AWG	
RTG20329AG	Wi-Fi display	Compatible with all RTG/RTGH-3
RTG20329AH	Wi-Fi Display Wiring Harness	Compatible with: RTG-X-3 and/ RTGH-3 Outdoor models (indoor converted to outdoor)
RTG20329AK	Indoor mount for Wi-Fi display (Note: Outdoor wiring harness required)	Compatible with all RTG/RTGH-3
RTG20329AF	Non-Wi-Fi display	Compatible With all RTG/RTGH-3 indoor (DV) and RTG-X-3 models
RTG20329AJ	Outdoor Wi-Fi Display Wiring Harness and Communication Cable (10ft)	Compatible with: RTGH-3 Outdoor models (indoor converted to outdoor)
RTG20329AL	Leak Sensor Kit	
PD415188	Translator Kit (translator, jumper, leak cable & communication cable)	

RECIRCULATION

Recirculation Pump Kits

Get faster hot water at the tap by adding a recirculation pump to your tankless or tank water heater system.



AP17920

MODEL NUMBER	DESCRIPTION	COMPATIBLE WITH
AP17920	Recirculation Pump Kit (Timer Based)	All RTG and RTGH models (excluding RTG-RC and RTGH-RH variants)
AP18403	Demand Pump Kit Includes wired push button for activation	
AP18537	Under the Sink Demand Pump Kit Includes wired push button for activation	

Tankless Accessories

RECIRCULATION CONTINUED

On-Demand Recirculation Activation Accessories

For use with Demand Pump Kits and RTG-RC Tankless Gas Water Heaters.

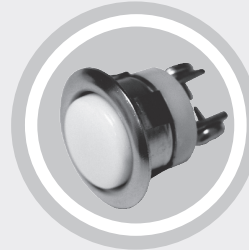
MODEL NUMBER	DESCRIPTION	COMPATIBLE WITH
SP20861	Wireless Remote Transmitter	AP18403 and AP18537 Demand Pump Kits and RTG-RC Tankless Gas Water Heaters. RTGH-SR
SP20862	Motion Sensor Kit	
SP20863	Wired Push Button	



SP20861



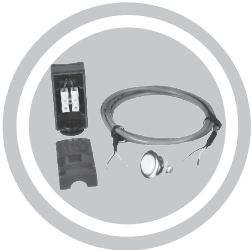
SP20862



SP20863

Recirculation Activation Accessories

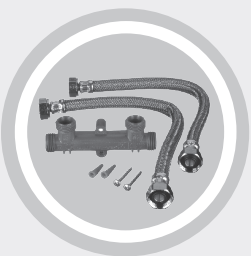
Converts RTGH-RH Tankless Gas Water Heaters to On-Demand Activation.



MODEL NUMBER	DESCRIPTION	COMPATIBLE WITH
SP20941	On-Demand Activation Accessory	RTGH-RH Models

Crossover Valve

Converts existing cold water line to a return so no dedicated return line is required, allowing recirculation pump to be utilized with existing plumbing.



MODEL NUMBER	DESCRIPTION	COMPATIBLE WITH
RTG20285	Includes: Grundfos crossover valve, 2 tee fittings, instructions	Compatible with the new IKONIC RTGH-SR models

Tankless Accessories

MANIFOLD CONTROL SYSTEMS

Allow multiple identical RTG or RTGH tankless water heaters to be connected in a manifold. These kits allow multiple heaters to communicate and operate as a single system when one unit is not enough.

Connect TWO Units

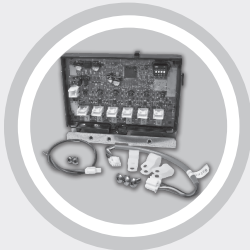
Connecting 2 units together requires just one (1) Cable.



MODEL NUMBER	DESCRIPTION	COMPATIBLE WITH
RTG20040	EZ-Link™ Cable 6-ft. cable with connectors and wire support clamps	RTG and RTGH models excluding -RH models
SP20892	Quick Connect Cable	RTGH-RH models only

Connect up to SIX Units

Connecting up to 6 units together requires one (1) MIC-6 Manifold Controller for the system, plus one (1) Type Q Manifold Control Cable for each tankless unit connected.



MODEL NUMBER	DESCRIPTION	COMPATIBLE WITH
RTG20213A	MIC-6 Manifold Controller System Controller mounts inside a single tankless unit and connects to up to 5 additional units via Type Q cable for a total of 6	RTG and RTGH models excluding -RH models
RTG20213B*	1-ft. MIC Control Cable (Type Q)	
RTG20213C*	6-ft. MIC Control Cable (Type Q)	
RCPN-AMP03-0013111101-0002	RJ25 Communication Cable 72 inches long	Any RTG or RTGH model with EcoNet Translator installed for manifolding or Wi-Fi module connection
RCPN-AMP03-0013111101-0003	RJ25 Communication Cable 48 inches long	
RCPN-AMP03-0013111101-0004	RJ25 Communication Cable 240 inches long	

*NOTE: These cables will not fit the MIC-185/MICS-180 System.

Tankless Venting

HIGH EFFICIENCY VENTING

Condensing PVC Termination Kits

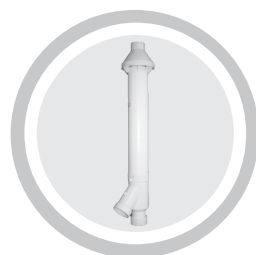
Compatible with All Condensing RTGH models.

Offers a clean installation of the intake and exhaust pipes of the condensing tankless water heater.



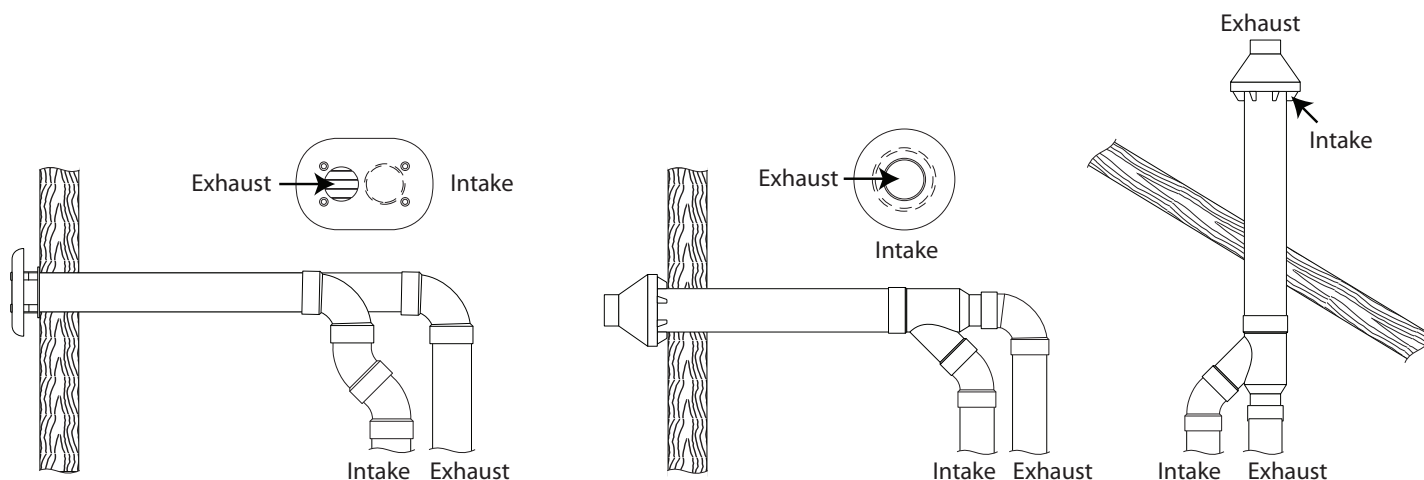
SP20286 & SP20285

MODEL NUMBER	DESCRIPTION	COMPATIBLE WITH
SP20286	Horizontal Vent Kit for 3" PVC – 11-3/4" Wide, 8" Tall, 2-1/2" Deep. Fits PVC, ABS piping	All RTGH models
SP20285	Horizontal Vent Kit for 2" PVC – 11-3/4" Wide, 8" Tall, 2-1/2" Deep. Fits PVC, ABS piping	
SP21069E	Horizontal Vent Kit for 3" PVC – 13" Wide, 8" Tall, 2-1/2" Deep. Fits PVC, ABS piping	RTGH-S (R) models
SP21069G	Horizontal Vent Kit for 2" PVC – 13" Wide, 8" Tall, 2-1/2" Deep. Fits PVC, ABS piping	



SP20245 & SP20897

MODEL NUMBER	DESCRIPTION	COMPATIBLE WITH
SP20245	Horizontal or Vertical Concentric Vent Termination for 3" PVC – 39" Long, 7-1/4" Diameter, 4-1/2" opening required. Fits PVC, ABS piping. 1/4" installation combining the intake and exhaust pipes into a single concentric vent termination	All RTGH models
SP20897	Horizontal or Vertical Concentric Vent Termination for 2" PVC – 39" Long, 7-1/4" Diameter, 4-1/2" opening required. Fits PVC, ABS piping. 1/4" installation combining the intake and exhaust pipes into a single concentric vent termination	
SP20252	3" condensation Collar	All RTGH models
SP20787	2" Condensation Collar	RTGH-2, RTGH-3, and RTGH-S(R) models
AS43845-1	PVC 90 elbow with wind vane and vent screen	RTGH-S(R)-Series

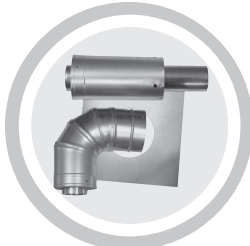
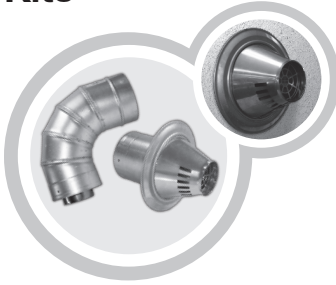


Tankless Venting

NON-CONDENSING VENTING

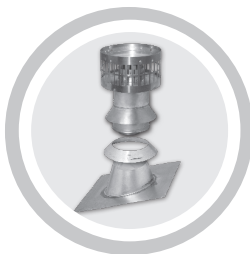
Termination Kits

3"/5" Stainless Steel Concentric Vent Termination Kits



RTG20210-1

METAL FAB PART NUMBER	DESCRIPTION	COMPATIBLE WITH
	Low-Profile Horizontal Vent Termination Kit – Contains: 90-Degree Elbow, Low-Profile Cone Termination, Trim Ring, Screws. All kits can be extended	All RTG-DV models
RTG20231-2	For 2" x 4" Wall with 1-1/2" Siding For up to 6" Walls	
RTG20234-2	For 2" x 6" Wall with 1-1/2" Siding For up to 8" Walls	
RTG20257	For up to 10" Walls	
RTG20258	For up to 12" Walls	
RTG20210-1	Horizontal Vent Termination Kit – Contains: 94-Degree Elbow, Long Termination, 12" Wall Plate, Screws. For up to 10" walls. Can be extended	
RTG20211	Vertical Vent Termination Kit – Contains: Storm Collar, 6/12 to 12/12 Pitched Cone Flashing, Vertical Termination with Rain Cap. Does not include vertical vent pipe	



RTG20211



RTG20231-2



RTG20234-2



RTG20257



RTG20258

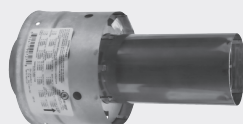
Termination Accessories

3"/5" Stainless Steel Concentric Vent Termination Accessories



RTG20151P

METAL FAB PART NUMBER	DESCRIPTION	COMPATIBLE WITH
	Low-Profile Horizontal Cone Terminations Contains: Low-Profile Cone Termination and Trim Ring only	All RTG-DV models
RTG20230-1	For up to 4" Walls	
RTG20233-1	For up to 6" Walls	
RTG20259	For up to 8" Walls	
RTG20260	For up to 10" Walls	
RTG20151P	Vertical Cap Termination – 12" overall height	
RTG20128-2	Horizontal Termination – Short, for 4" horizontal wall only	



RTG20128-2



RTG20259



RTG20233-1



RTG20230-1

12 | for Rheem, Ruud, Rheem-Ruud, Richmond, EcoSense, Paloma, EcoSmart, WaiWela and Raypak tankless water heaters

Tankless Venting

NON-CONDENSING VENTING

Other Venting Accessories

3"/5" Value Stainless Steel Concentric Vent Termination Accessories

METAL FAB PART NUMBER	DESCRIPTION	COMPATIBLE WITH
RTG20151W	6" Vent Length – 5.66" overall length	All RTG-DV models
RTG20151R	12" Vent Length – 11.66" overall length	
RTG20151C-1	24" Vent Length – 23.66" overall length	
RTG20151D-1	36" Vent Length – 35.66" overall length	
RTG20151E-1	Adjustable Vent Length – 7.5" to 22" overall length	
RTG20151Y	Adjustable Vent Length – 13" to 20" overall length	
RTG20151A-1	90-Degree Elbow – 8.1" rise - 8.1" run	
RTG20151B-1	45-Degree Elbow – 8.6" rise - 3" run	



for Rheem, Ruud, Rheem-Ruud, Richmond, EcoSense, Paloma, EcoSmart, WaiWela and Raypak tankless water heaters | 13

Tankless Venting

NON-CONDENSING VENTING

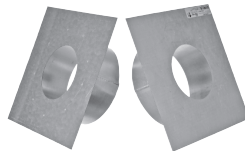
Other Venting Accessories

3" / 5" Stainless Steel Concentric Vent Termination Kits

METAL FAB PART NUMBER	DESCRIPTION	COMPATIBLE WITH
RTG20151Z	Stucco Wall Thimble – 17" Wide - 12" Tall. Up to 6" deep wall with Drywall and Stucco Rings	All RTG-DV models
RTG20151X	Wall Thimble – 12" Square, up to 8" deep wall	
RTG20151H	Wall Hanger – 2-point pivot mounting	
RTG20151G	Wall Support – 3-point mounting	
RTG20151M-1	Storm Collar – Split ring galvanized	
RTG20151L-1	6/12 to 12/12 Roof Flashing – 15" square base galvanized	
RTG20151K-1	2/12 to 5/12 Roof Flashing – 15" square base galvanized	
RTG20151J-1	Tall Cone Roof Flashing – 15" square base galvanized	
RTG20151T	Support Plate – 17" square base support/fire stop	



RTG20151Z



RTG20151X



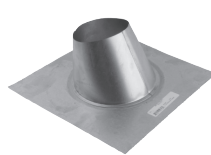
RTG20151H



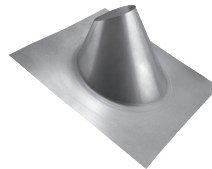
RTG20151G



RTG20151M-1



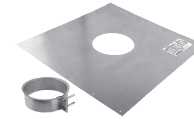
RTG20151K-1



RTG20151L-1



RTG20151J-1



RTG20151T

METAL FAB PART NUMBER	DESCRIPTION	COMPATIBLE WITH
RTG20144-3	Appliance Adapter – 5" overall length	RTG-66 or 53DV models
RTG20151S	Condensate Drain – Horizontal and vertical 8.6" overall length	All RTG-DV models
RTG20150A	Silicone Condensate Drain Tube Kit – 6' high temp tube, 2 clamps, 2 wire ties, instructions	
RTG20151AA	Trim Ring. Indoor/Outdoor – 8.9" dia - 5.25" hole, galvanized	



RTG20144-3



RTG20151S



RTG20150A



RTG20151AA

Commercial Common Venting

COMMERCIAL TANKLESS COMMON VENTING

For use with RTGH-C models

Rheem offers a manufacturer tested and UL/ULC listed common venting system providing longer lengths and fewer wall penetrations than single-unit venting. The system is polypropylene stabilized (PPs) material and Intertek certified for UL -1738 and ULC-S636 and manufactured by CentroTherm EcoSystems in the USA. Venting pieces are self-locking and sealing and can be pushed together without the use of cement or glue.

NOTE: Standard Lead Time for these items is 7-10 days (Ships from Albany, NY)

Vent Run Accessories

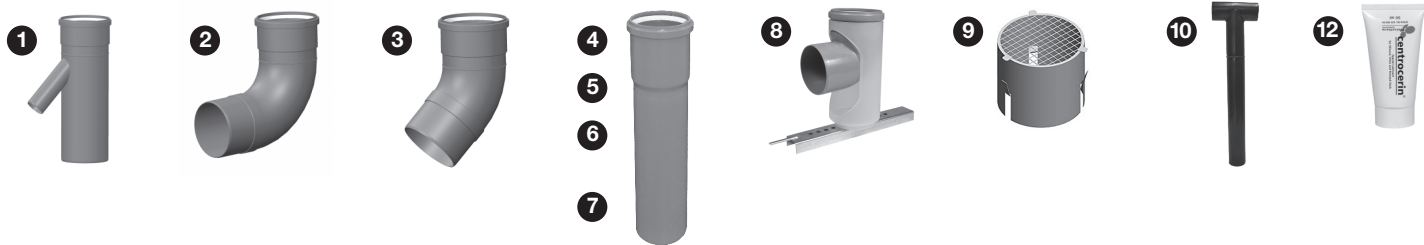


IMAGE NUMBER	PART DESCRIPTION	6"	8"	10"
1	Air Intake Branch Tee	SP20918AD	SP20918L	SP20918AE
2	87 Degree Elbow	SP20918BE	SP20918M	SP20918BM
3	45 Degree Elbow	SP20918BF	SP20918N	SP20918BN
4	Straight Pipe, 1'	SP20918BG	SP20918P	SP20918BP
5	Straight Pipe, 2'	SP20918BH	SP20918R	SP20918BR
6	Straight Pipe, 3'	SP20918BJ	SP20918S	SP20918BS
7	Straight Pipe, 6'	SP20918BK	SP20918T	SP20918BT
8	90 Degree Elbow Vertical Support	SP20918BL	SP20918U	SP20918BU
9	Bird Screen SS	SP20918AY	SP20918V	SP20918AZ
10	Tee Termination	SP20918BA	SP20918W	SP20918BB
11	Support Clamp	SP20918AW	SP20918AA	SP20918AX
12	Centrocerin Lubricant	SP20918H	SP20918H	SP20918H

	CENTROTHERM PPS	PVC	CPVC
Chemical Resistance			
- Aromatic Hydrocarbons	✓	X	X
- Sulfuric Acid	✓	X	X
- Hydrochloric Acid	✓	X	X
UL Listed (0°F to 230°F)	Listed	Not Listed	Not Listed
Actual Working Temperature	32°F (0°C) 248°F (120°C)	50°F (15°C) 149°F (65°C)	50°F (15°C) 194°F (90°C)
Softening Temperatures	302°F (150°C)	176°F (80°C)	200°F (93°C)
Environmentally Friendly Production	✓	X	X
No Chloride Leaching	✓	X	X
Fully Recyclable	✓	X	X

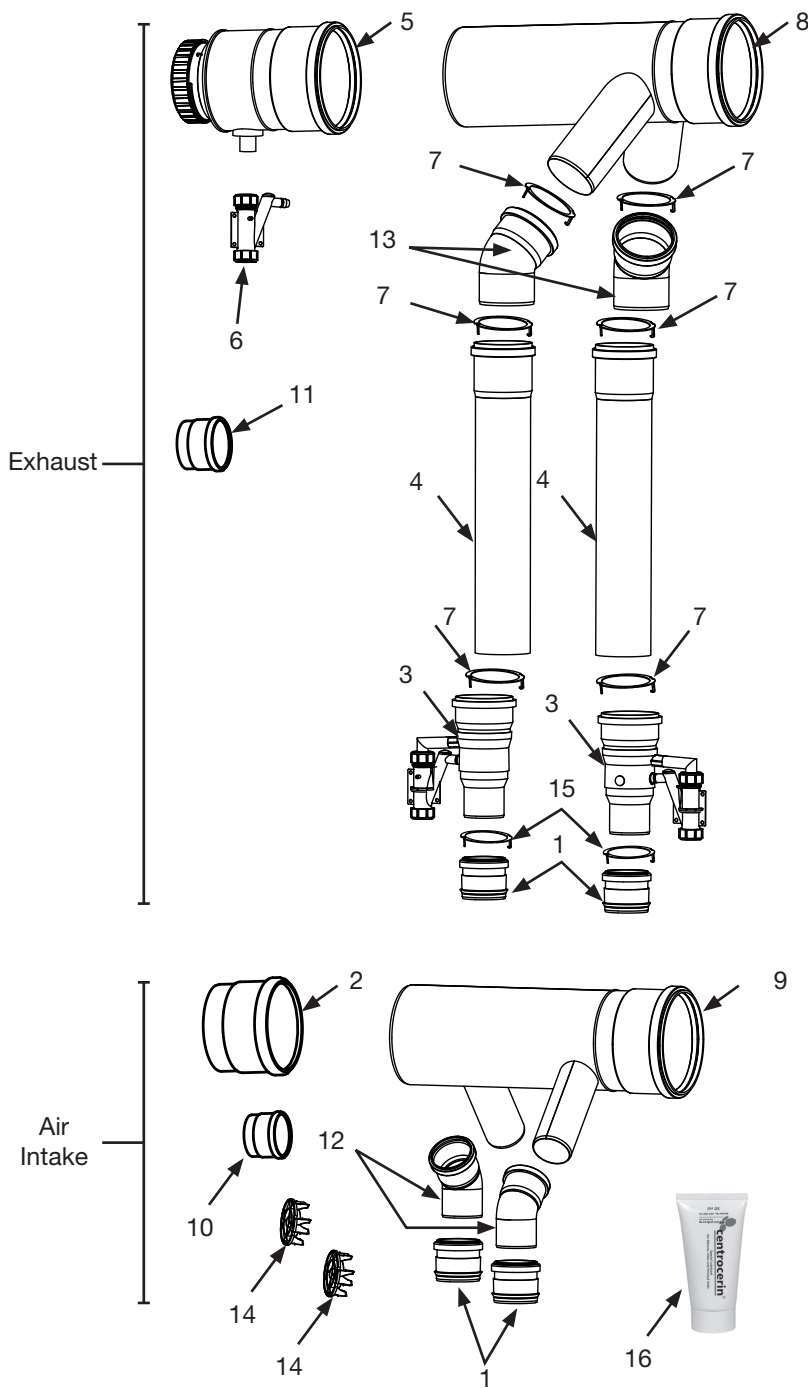
Specifications

The Common Vent System shall be manufactured from polypropylene stabilized (PPs). The Common Vent System shall be UL-1738 & ULC-S636 rated for use with maximum flue gas temperatures of 230°F (110°C), and be rated to a maximum vent pressure of 20" of water column.

NOTE: Temperature values in table represent exhaust flue temperatures. For approximate max. water set point temperatures, subtract 20 degrees F.

Back to Back Common Venting

Back to Back Common Vent Kit Components



Parts 2, 9 & 10 in Direct Vent Header Kits only

	RHEEM PART NUMBER	PART DESCRIPTION
1	SP20918A	3" PVC to PP Adaptor
2	SP20918AH	6" Tee Cap
	SP20918K	8" Tee Cap
	SP20918AK	10" Tee Cap
3	SP20918D	Non-Return Valve (NRV)
4	SP20918G	4" Straight Pipe, 2'
5	SP20918AG	6" Horizontal Drain Fitting
	SP20918F	8" Horizontal Drain Fitting
	SP20918AJ	10" Horizontal Drain Fitting
6	SP20918C	Universal Ball Valve Siphon
7	SP20918Y	4" Connector Ring
8	SP20918AM	6" Back to Back Exhaust Branch Tee
	SP20918AP	8" Back to Back Exhaust Branch Tee
	SP20918AS	10" Back to Back Exhaust Branch Tee
9	SP20918AN	6" Back to Back Air Intake Branch Tee
	SP20918AR	8" Back to Back Air Intake Branch Tee
	SP20918AT	10" Back to Back Air Intake Branch Tee
10	SP20918AU	3" Tee Cap
11	SP20918AV	4" Tee Cap
12	SP20918BC	3", 45 Degree Elbow
13	SP20918BD	4", 45 Degree Elbow
14	SP20918AB	3" Bird Screen
15	SP20918X	3" Connector Ring
16	SP20918H	Centrocerin Lubricant

NOTE: All header kit parts available individually for replacement order using part numbers above.

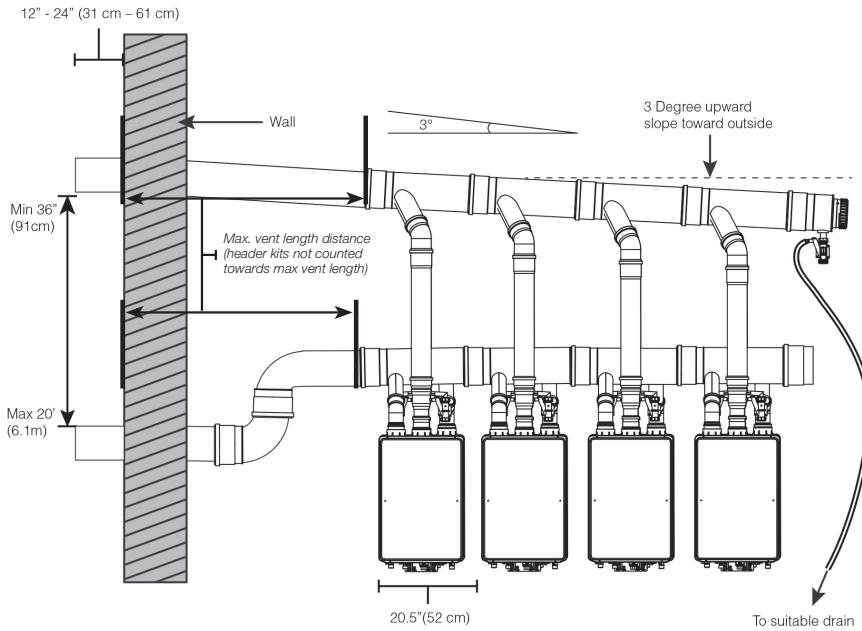
NOTE: Exhaust branches are 4", intake branches are 3" diameter.

Back to Back Common Venting

The following back to back header vent kits can be purchased separately to create **Back to Back Common Venting** system:

NOTE: Back to Back venting requires additional gas chip, sold separately.
Consult Rheem Applications Engineer before purchase.

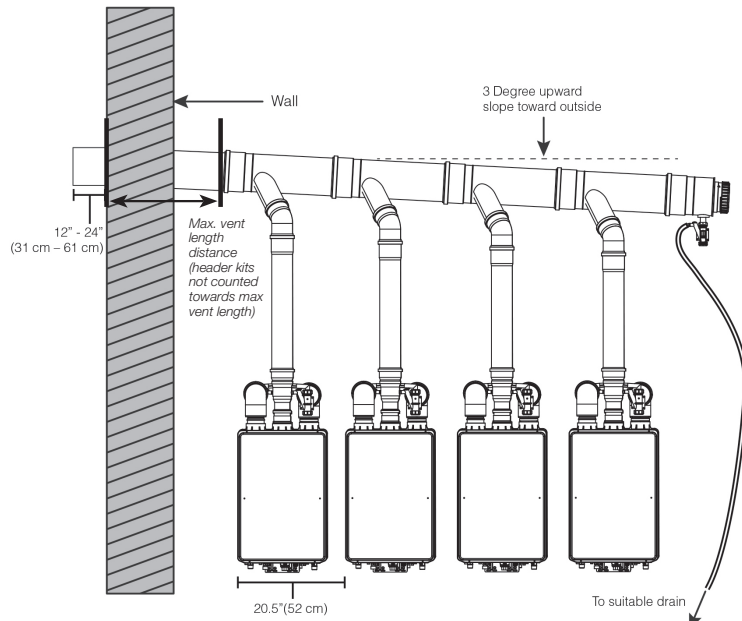
Direct Vent Header Kits



Diagrams illustrate horizontal intake and exhaust, vertical intake and exhaust also available, but not pictured.

RHEEM PART NUMBER	TRUNK DIAMETER	NUMBER OF UNITS
SP20912A	6"	2
SP20912B		3
SP20912C		4
SP20914A	8"	2
SP20914B		3
SP20914C		4
SP20914D		5
SP20914E		6
SP20914F		7
SP20914G		8
SP20916A	10"	2
SP20916B		3
SP20916C		4
SP20916D		5
SP20916E		6
SP20916F		7
SP20916G		8

Room Air Intake Header Kits

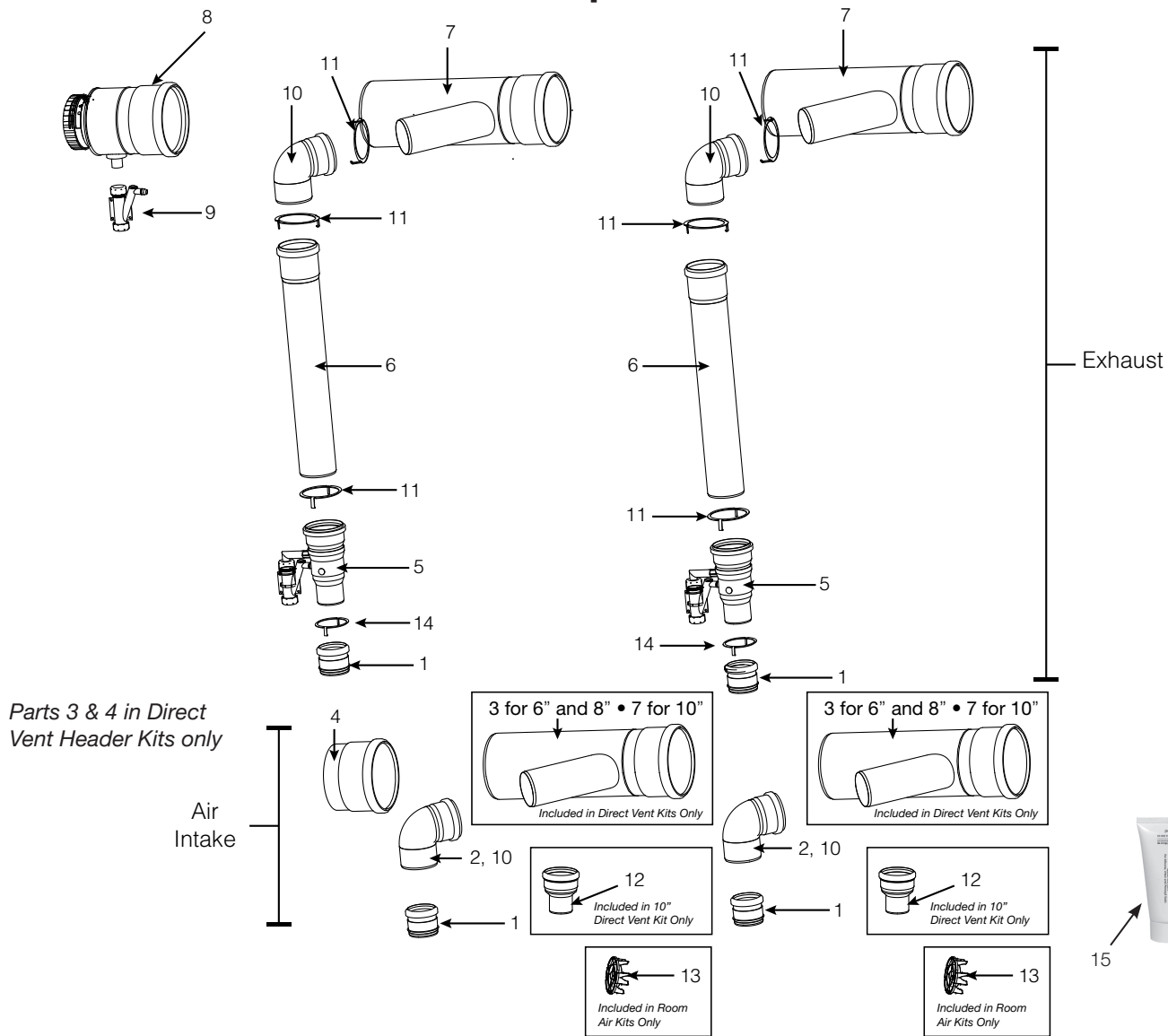


RHEEM PART NUMBER	TRUNK DIAMETER	NUMBER OF UNITS
SP20913A	6"	2
SP20913B		3
SP20913C		4
SP20915A	8"	2
SP20915B		3
SP20915C		4
SP20915D		5
SP20915E		6
SP20915F		7
SP20915G		8
SP20917A	10"	2
SP20917B		3
SP20917C		4
SP20917D		5
SP20917E		6
SP20917F		7
SP20917G		8

These kits contain only minimum required vent parts to create a common venting trunk line and a connection from the trunk line to water heaters. Vent parts included in these kits **DO NOT** count for equivalent vent length except a 87 degree elbow for the air intake included in a room air kit. Additional vent parts will be required to complete the common venting system. Refer to "Parts List" of this installation instructions for additional information.

Inline Common Venting

Inline Common Vent Kit Components



RHEEM PART NUMBER	PART DESCRIPTION
1	SP20918A 3" PVC to PP Adaptor
2	SP20918J 3", 87° Elbow
3	SP20918AD 6" Air Intake Branch Tee
	SP20918L 8" Air Intake Branch Tee
4	SP20918AH 6" Tee Cap
	SP20918K 8" Tee Cap
	SP20918AK 10" Tee Cap
5	SP20918D Non-Return Valve (NRV)
6	SP20918G 4" Straight Pipe, 2' (Direct Vent)
	SP20918Z 4" Straight Pipe, 1' (Room Air)

NOTE: All header kit parts available individually for replacement order using part numbers above.

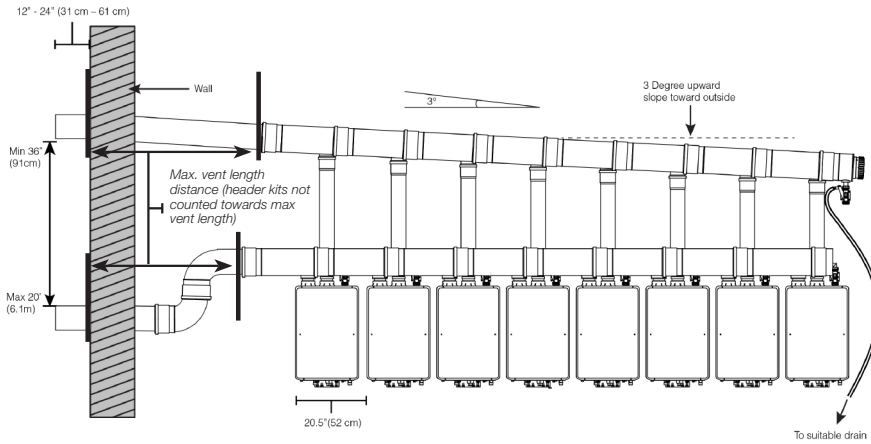
NOTE: For 6" and 8" trunk diameters, exhaust branches are 4", intake branches are 3" diameter, for 10" diameter trunk, both exhaust and intake branches are 3" diameter.

RHEEM PART NUMBER	PART DESCRIPTION
7	SP20918AC 6" Exhaust Branch Tee
	SP20918E 8" Exhaust Branch Tee
	SP20918AE 10" Exhaust and Air Intake Branch Tee
8	SP20918AG 6" Horizontal Drain Fitting
	SP20918F 8" Horizontal Drain Fitting
	SP20918AJ 10" Horizontal Drain Fitting
9	SP20918C Universal Ball Valve Siphon
10	SP20918B 4", 87 Degree Elbow
11	SP20918Y 4" Connector Ring
12	SP20918AL 3" to 4" Increaser
13	SP20918AB 3" Bird Screen
14	SP20918X 3" Connector Ring
15	SP20918H Centrocerin Lubricant

Inline Common Venting

The following inline header vent kits can be purchased separately to create **Inline Common Venting** system:

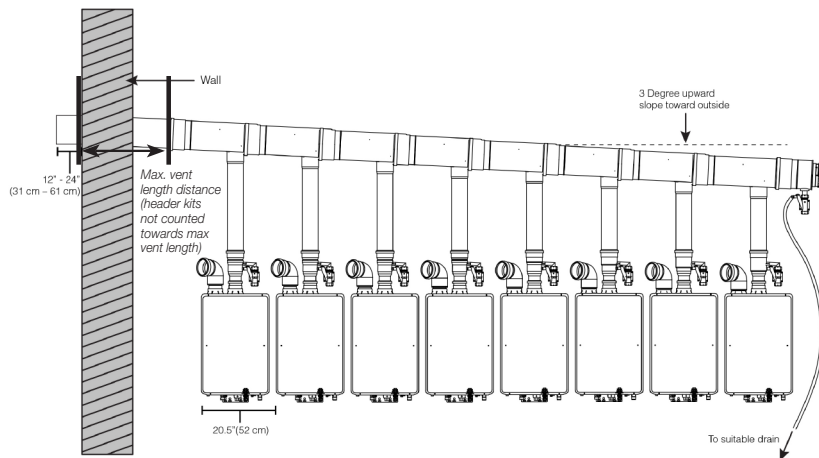
Direct Vent Header Kits



Diagrams illustrate horizontal intake and exhaust, vertical intake and exhaust also available, but not pictured.

RHEEM PART NUMBER	TRUNK DIAMETER	NUMBER OF UNITS
SP20906A	6"	2
SP20906B		3
SP20906C		4
SP20908A	8"	2
SP20908B		3
SP20908C		4
SP20908D		5
SP20908E		6
SP20908F		7
SP20908G		8
SP20910A	10"	2
SP20910B		3
SP20910C		4
SP20910D		5
SP20910E		6
SP20910F		7
SP20910G		8
SP20910H		9
SP20910I		10
SP20910J		10

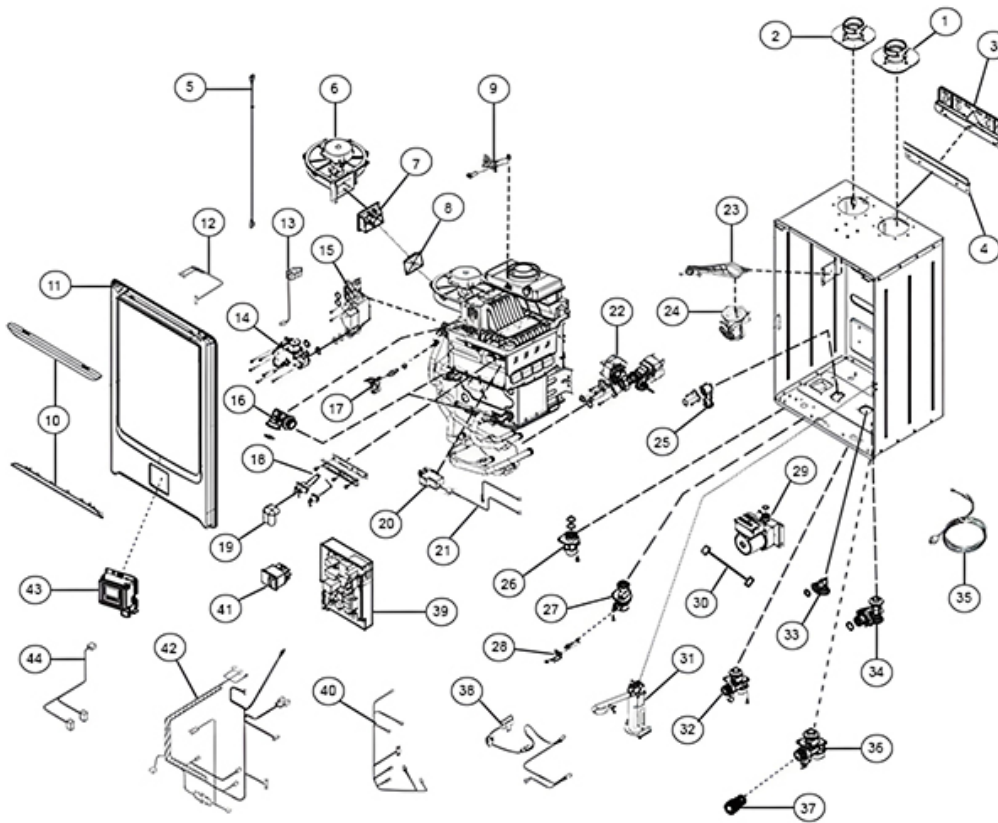
Room Air Intake Header Kits



These kits contain only minimum required vent parts to create a common venting trunk line and a connection from the trunk line to water heaters. Vent parts included in these kits **DO NOT** count for equivalent vent length except a 87 degree elbow for the air intake included in a room air kit. Additional vent parts will be required to complete the common venting system. Refer to "Parts List" of this installation instructions for additional information.

RHEEM PART NUMBER	TRUNK DIAMETER	NUMBER OF UNITS
SP20907A	6"	2
SP20907B		3
SP20907C		4
SP20909A	8"	2
SP20909B		3
SP20909C		4
SP20909D		5
SP20909E		6
SP20909F		7
SP20909G		8
SP20911A	10"	2
SP20911B		3
SP20911C		4
SP20911D		5
SP20911E		6
SP20911F		7
SP20911G		8
SP20911H		9
SP20911I		10
SP20911J		10

Parts for RTGH-S, RTGH-SR Series



OUTDOOR CONVERSION KIT



MODEL NUMBER	DESCRIPTION	COMPATIBLE WITH
RTGH-SX*	Converts RTGH-S(R) indoor models for outdoor installation.	ALL RTGH-S(R) MODELS

*This part is fulfilled through Rheem Water Heating Division. Not stocked at RPD.

Fuel Conversion Kits – Without Recirculation

Fuel Type	RTGH-S11i	RTGH-S10i	RTGH-S84i
U.S. Propane	RTG20242A	RTG20242B	RTG20242C
Canada Propane	RTG20242G	RTG20242H	RTG20242J

Fuel Conversion Kits – With Recirculation

Fuel Type	RTGH-SR11i	RTGH-SR10i	RTGH-SR84i
U.S. Propane	RTG20242D	RTG20242E	RTG20242F
Canada Propane	RTG20242K	RTG20242L	RTG20242M

Programming Chips – Without Recirculation

Fuel Type	RTGH-S11i	RTGH-S10i	RTGH-S84i
Natural	RTG20319AV	RTG20319AZ	RTG20319AX
Propane	RTG20319AW	RTG20319BA	RTG20319AY

Programming Chips – With Recirculation

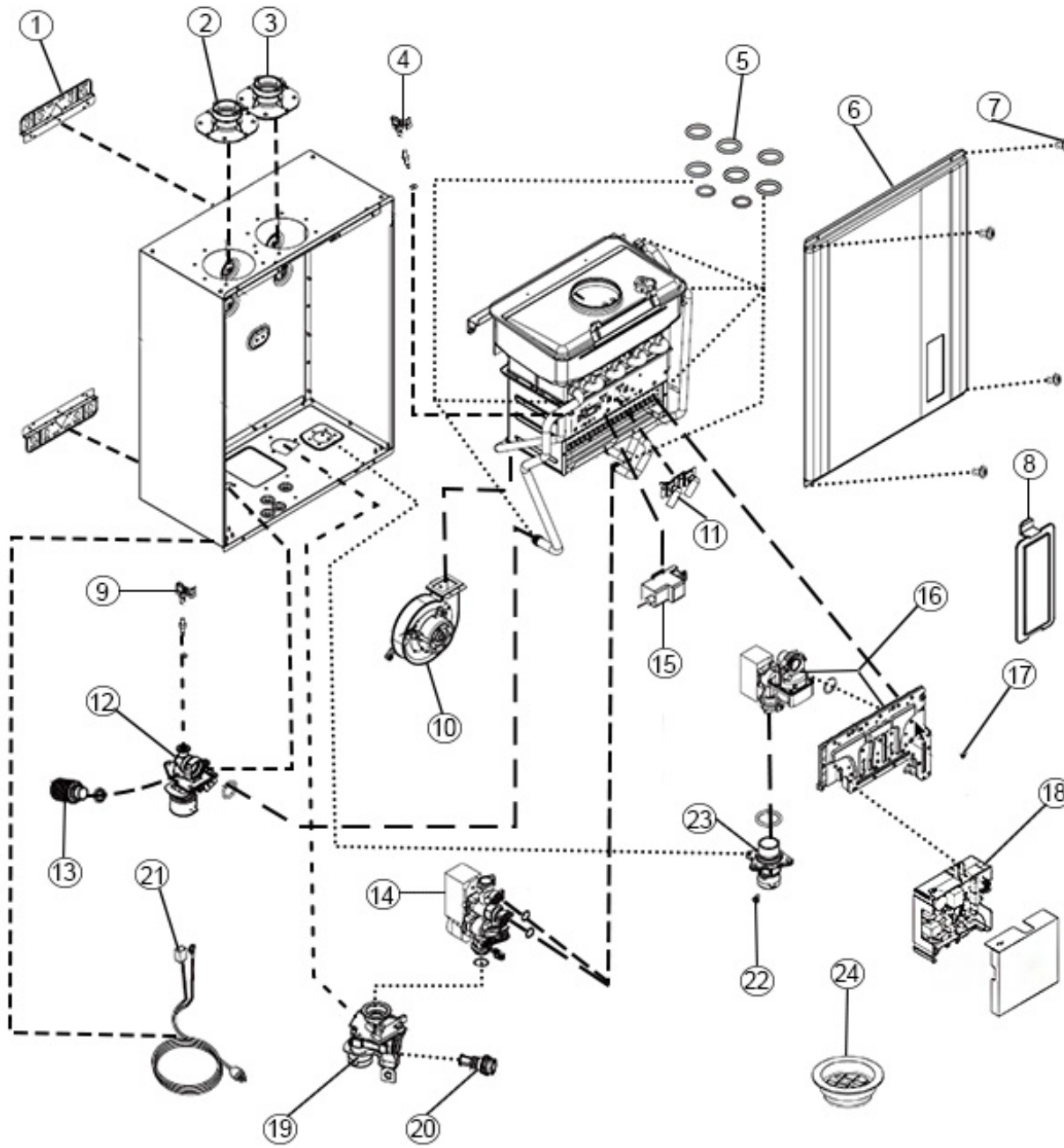
Fuel Type	RTGH-SR11i	RTGH-SR10i	RTGH-SR84i
Natural	RTG20319BB	RTG20319BF	RTG20319BD
Propane	RTG20319BC	RTG20319BG	RTG20319BE

Parts for RTGH-S, RTGH-SR Series

Ref #	Rheem Part #	Description	RTGH-S	RTGH-SR
1	RTG20319CP	Vent Connection Assembly	•	•
2	RTG20319CV	Air Inlet Connector Assembly	•	•
3	RTG20319CC	Hanging Bracket	•	•
4	RTG20319CD	Wall Mounting Bracket	•	•
5	RTG20319AB	Fan Control Wiring Harness	•	•
6	RTG20319T	Blower Assembly	•	•
7	RTG20319CL	Check Valve - Fan	•	•
8	RTG20319CM	Flapper - Check Valve	•	•
9	RTG20319P	Exhaust Thermistor Kit (w/ O-Ring and Screw)	•	•
10	RTG20319B	Plastic Screw Cover	•	•
11	RTG20319A	Front Cover Kit (w/ 4 Screws & 1 Washer)	•	•
12	RTG20319AA	Gas Control Wiring Harness	•	•
13	RTG20319AF	Solenoid Valve Resistor	•	•
14	RTG20319AJ	Gas Orifice Block Assembly - NG - Kit (w/ 7 Screws & 2 Gaskets)	•	•
14	RTG20319BZ	Gas Orifice Block Assembly Kit - LP (w/ 7 Screws & 2 Gaskets)	•	•
15	RTG20319C	Gas Valve Kit (w/ 4 O-Rings & 2 Screws)	•	•
16	RTG20319CZ	Connection Assembly C, O-Ring Kit	•	•
17	RTG20319DE	Thermistor - HEX, O-Ring - Kit (w/ Thermister, Clip and O-Ring)	•	•
18	RTG20319BY	Flame Rod and Igniter Rod Kit	•	•
19	RTG20319DK	Cover - Igniter	•	•
20	RTG20319S	Igniter Coil Kit (w/ Screw)	•	•
21	RTG20319AC	High Voltage Wiring (Igniter Coil)	•	•
22	RTG20319K	Water Volume Control Valve Kit (w/ 2 Gaskets, 4 Screws, 2 Brackets)	•	•
23	RTG20319AL	Air Filter Kit (w/ Screw)	•	•
24	RTG20319AK	Ventri Assembly Kit (w/ Gasket & 3 Screw)	•	•
25	RTG20319H	Elbow Connection C Kit (w/ O-Ring, 2 Screws & Bracket)	•	•
26	RTG20319G	Gas Inlet Connector Kit (w/ 2 O-Rings & 3 Screw)	•	•
27	RTG20319F	Water Outlet Connection Kit (w/ 4 Screws)	•	•
28	RTG20319R	Outlet Thermistor Kit (w/ O-Ring, Bracket and Screw)	•	•
29	RTG20319AM	Recirc. Pump Kit (w/ Gasket)		•
30	RTG20319AU	Pump Wiring Harness		•
31	RTG20319N	Condensate Drain Trap Replacement Kit	•	•
32	RTG20319CA	Recirc. Water Inlet Connection Kit (w/ Screw)		•
33	RTG20319AT	Pump Connection Kit (w/ Gasket)		•
34	RTG20319AS	Check Valve Kit (w/ O-Ring)		•
35	RTG20319X	Power Cord Assembly	•	•
36	RTG20319M	Water Inlet Connection Kit (w/ 3 Screws)	•	•
37	RTG20164AK	Inlet Water Filter	•	•
38	RTG20319DN	Freeze Protection Heater	•	•
39	RTG20319W	Control Board Kit (w/ 2 Screws)	•	•
40	RTG20319Y	Thermistor Wiring Harness	•	•
41	RTG20319DJ	Switch - Power On/OFF	•	•
42	RTG20319AD	Power Control Wiring Harness	•	•
43	AP20298	Display Assembly - WiFi	•	•
44	RTG20319AE	Display Control Wiring Harness	•	•

See Pages 6 - 14 for Accessories, Manifold Systems, and Venting Options.

Parts for RTGH-DVL3 Series



OUTDOOR CONVERSION KIT



MODEL NUMBER	DESCRIPTION	COMPATIBLE WITH
RTGH-X	Converts RTGH-DVL3 indoor models for outdoor installation.	ALL RTGH-DVL3 MODELS

Programming Chips

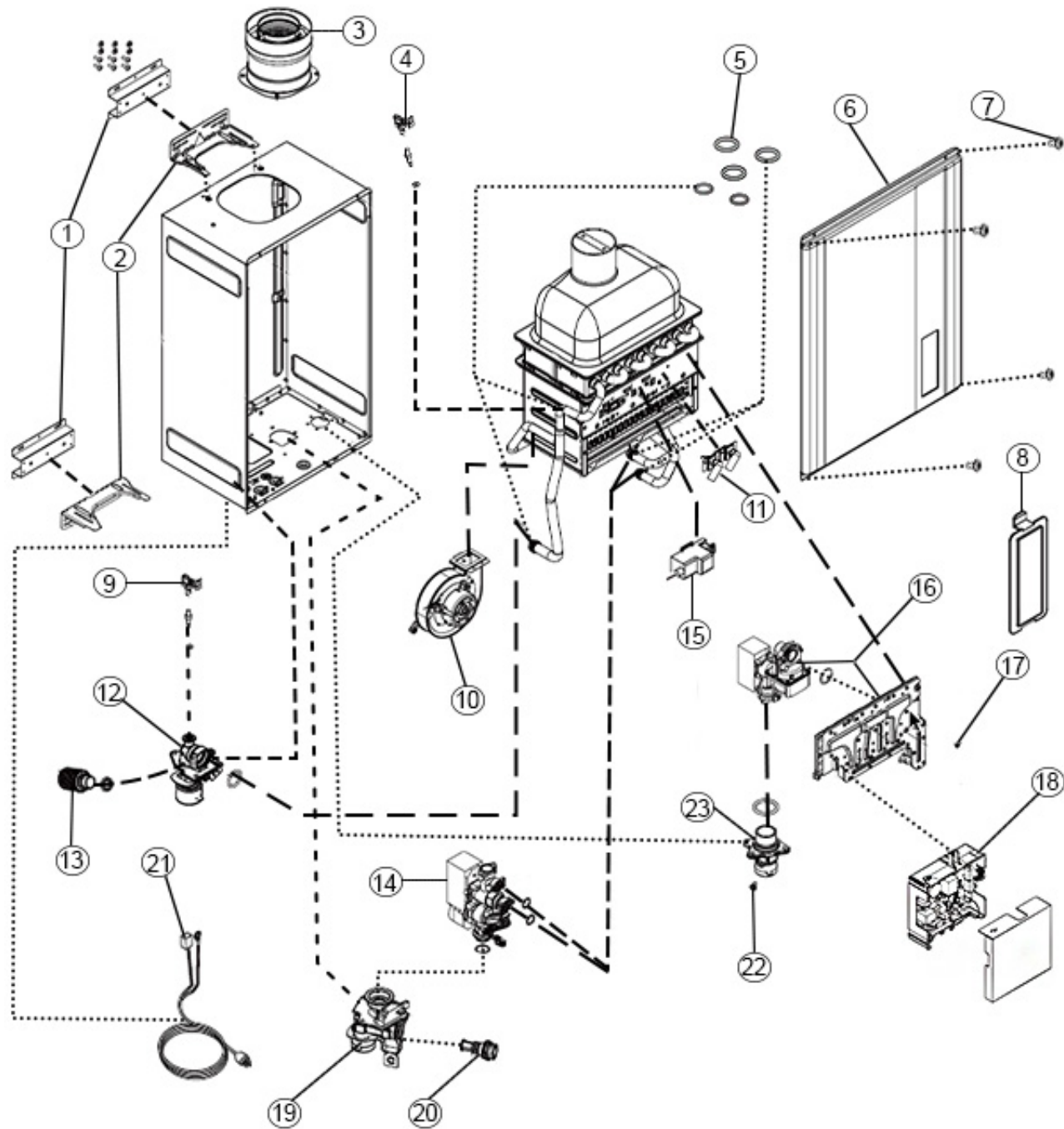
Fuel Type	RTGH-95DV(E)LN/P-3	RTGH-90DVLN/P-3	RTGH-84DVLN/P-3	RTGH-68DVLN/P-3
Natural	RTG20329Q	RTG20329S	RTG20329U	RTG20329W
Propane	RTG20329R	RTG20329T	RTG20329V	RTG20329X

Parts for RTGH-DVL3 Series

Ref #	Rheem Part #	Description	RTGH-68DVL-3	RTGH-84DVL-3	RTGH-90DVL-3	RTGH-95DVL-3	RTGH-95DVEL-3
1	RTG20329B	Bracket	•	•	•	•	•
2	RTG20319CV	Air Inlet Connector Assembly	•	•	•	•	•
3	RTG20319CP	Vent Connection Assembly	•	•	•	•	•
4	RTG20329L	Outlet HEX Thermistor with O-Ring	•	•	•	•	•
5	RTG20329AE	O-Ring Kit	•	•	•	•	•
6	RTG20329A	Front Cover Final Assembly	•	•	•	•	•
7	RTG20329AB	Front Cover Screws	•	•	•	•	•
8	RTG20329AF	Non Wi-Fi Display	•	•	•	•	
8	RTG20329AG	Wi-Fi Display					•
9	RTG20329M	Hot Water Thermistor with O-Ring	•	•	•	•	•
10	RTG20329N	Blower Motor Assembly	•	•	•	•	•
11	RTG20329F	Igniter & Flame Rod Kit	•	•	•	•	•
12	RTG20329K	Hot Water Connection Kit with O-Ring	•	•	•	•	•
13	RTG20329J	Drain Valve	•	•	•	•	•
14	RTG20329AV	Water Control Valve Kit with O-Ring	•	•	•	•	•
15	RTG20329AW	Ignitor Coil	•	•	•	•	•
16	RTG20329E	Manifold Assembly Kit with Gas Proportional Valve (for LP)	•	•	•	•	•
16	RTG20329D	Manifold Assembly Kit with Gas Proportional Valve (for NAT)	•	•	•	•	•
17	RTG20329Z	Screw with Gasket - for Manifold Pressure Port	•	•	•	•	•
18	RTG20329P	PCB Kit	•	•	•	•	•
19	RTG20329G	Inlet Water Connection Assembly	•	•	•	•	•
20	RTG20329H	Water Filter	•	•	•	•	•
21	RTG20329Y	Power Cord	•	•	•	•	•
22	RTG20329AA	Screw with Gasket - for Inlet Gas Pressure Port	•	•	•	•	•
23	RTG20329C	Gas Connection Final Assembly with O-Ring	•	•	•	•	•
	RTG20329AH	Wi-Fi Display hHrness					•
	RTG20329AL	Leak Sensor Kit					•
	RTG20329AK	Wi-Fi Display Mounting Assembly					•

See Pages 6 - 14 for Accessories, Manifold Systems, and Venting Options.

Parts for RTG-DVL3 Series



Programming Chips

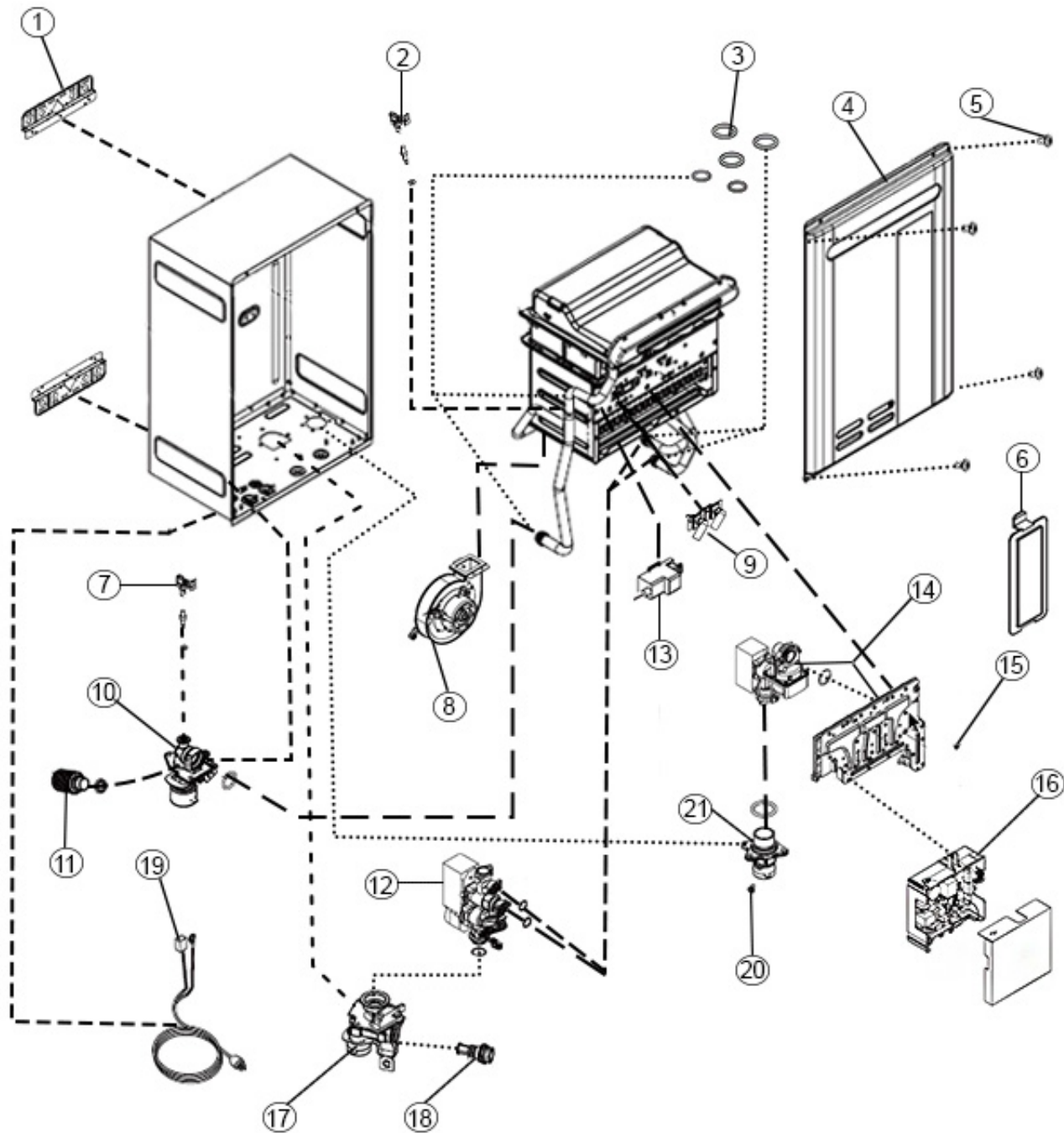
Fuel Type	RTG-95DV(E)LN/P-3	RTG-84DVLN/P-3	RTG-70DVLN/P-3
Natural	RTG20330G	RTG20330AL	RTG20330K
Propane	RTG20330H	RTG20330J	RTG20330L

Parts for RTG-DVL3 Series

Ref #	Rheem Part #	Description	RTG-70DVL-3	RTG-84DVL-3	RTG-95DVL-3	RTG-95DVEL-3
1	RTG20330C	Mounting Bracket Kit	•	•	•	•
2	RTG20330B	Mounting Bracket	•	•	•	•
3	RTG20330AL	Non-condensing Vent Connector	•	•	•	•
4	RTG20329L	Outlet HEX Thermistor with O-Ring	•	•	•	•
5	RTG20329AE	O-Ring Kit	•	•	•	•
6	RTG20330A	Front Cover Final Assembly	•	•	•	•
7	RTG20329AB	Front Cover Screws	•	•	•	•
8	RTG20329AF	Non Wi-Fi Display	•	•	•	
8	RTG20329AG	Wi-Fi Display				•
9	RTG20329M	Hot Water Thermistor with O-Ring	•	•	•	•
10	RTG20330F	Blower Motor Assembly	•	•	•	•
11	RTG20329F	Igniter & Flame Rod Kit	•	•	•	•
12	RTG20329K	Hot Water Connection Kit with O-Ring	•	•	•	•
13	RTG20329J	Drain Valve	•	•	•	•
14	RTG20329AV	Water Control Valve Kit with O-ring	•	•	•	•
15	RTG20329AW	Ignitor Coil	•	•	•	•
16	RTG20329E	Manifold Assembly Kit with Gas Proportional Valve (for LP)	•	•	•	•
16	RTG20329D	Manifold Assembly Kit with Gas Proportional Valve (for NAT)	•	•	•	•
17	RTG20329Z	Screw with Gasket - for Manifold Pressure Port	•	•	•	•
18	RTG20329P	PCB Kit	•	•	•	•
19	RTG20329G	Inlet Water Connection Assembly	•	•	•	•
20	RTG20329H	Water Filter	•	•	•	•
21	RTG20329Y	Power Cord	•	•	•	•
22	RTG20329AA	Screw with Gasket - for Inlet Gas Pressure Port	•	•	•	•
23	RTG20329C	Gas Connection Final Assembly with O-Ring	•	•	•	•
24	AP21435	Bird Screen	•	•	•	•
	RTG20329AH	Wi-Fi Display Harness				•
	RTG20329AL	Leak Sensor Kit				•

See Pages 6 - 14 for Accessories, Manifold Systems, and Venting Options.

Parts for RTG-XL3 Series



Programming Chips

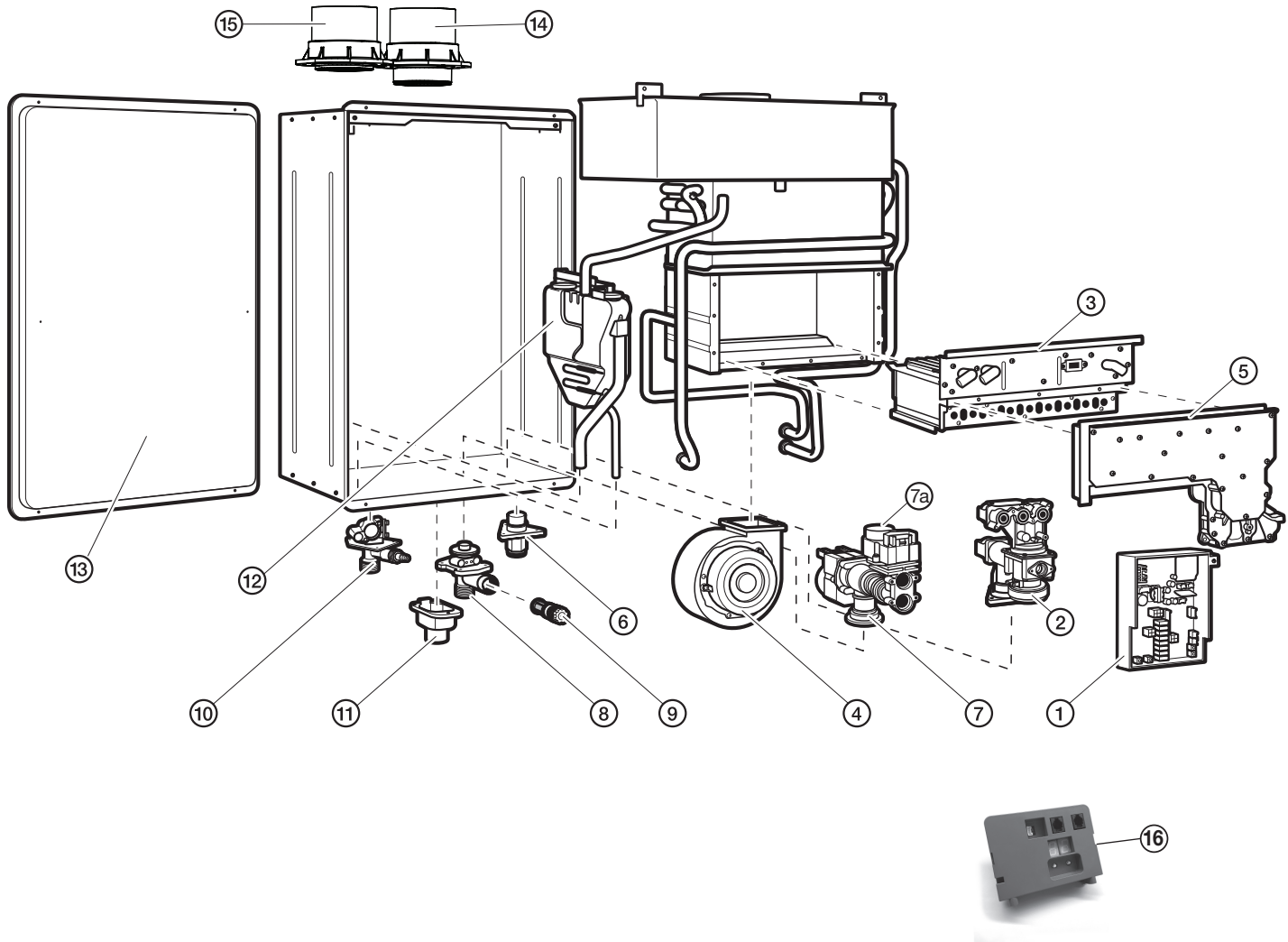
Fuel Type	RTG-95X(E)LN/P-3	RTG-84XLN/P-3	RTG-70XLN/P-3
Natural	RTG20330S	RTG20330U	RTG20330W
Propane	RTG20330T	RTG20330V	RTG20330X

Parts for RTG-XL3 Series

Ref #	Rheem Part #	Description	RTG-70XL-3	RTG-84XL-3	RTG-95XL-3	RTG-95XEL-3
1	RTG20329B	Mounting Bracket Kit	•	•	•	•
2	RTG20329L	Outlet HEX Thermistor with O-Ring	•	•	•	•
3	RTG20329AE	O-Ring Kit	•	•	•	•
4	RTG20330AM	Front Cover Final Assembly	•	•	•	•
5	RTG20329AB	Front Cover Screws	•	•	•	•
6	RTG20329AF	Non Wi-Fi Display	•	•	•	
6	RTG20329AG	Wi-Fi Display				•
7	RTG20329M	Hot Water Thermistor with O-Ring	•	•	•	•
8	RTG20330R	Blower Motor Assembly	•	•	•	•
9	RTG20329F	Igniter & Flame Rod Kit	•	•	•	•
10	RTG20329K	Hot Water Connection Kit with O-Ring	•	•	•	•
11	RTG20329J	Drain Valve	•	•	•	•
12	RTG20329AV	Water Control Valve Kit with O-Ring	•	•	•	•
13	RTG20329AW	Ignitor Coil	•	•	•	•
14	RTG20330Q	Manifold Assembly Kit with Gas Proportional Valve (for LP)	•	•	•	•
14	RTG20330P	Manifold Assembly Kit with Gas Proportional Valve (for NAT)	•	•	•	•
15	RTG20329Z	Screw with Gasket - for Manifold Pressure Port	•	•	•	•
16	RTG20329P	PCB Kit	•	•	•	•
17	RTG20329G	Inlet Water Connection Assembly	•	•	•	•
18	RTG20329H	Water Filter	•	•	•	•
19	RTG20330AB	Power Cord	•	•	•	•
20	RTG20329AA	Screw with Gasket - for Inlet Gas Pressure Port	•	•	•	•
21	RTG20329C	Gas Connection Final Assembly with O-Ring	•	•	•	•
	RTG20329AJ	Outdoor Wi-Fi Harness				•
	RTG20329AL	Leak Sensor Kit				•
	RTG20329AK	Wi-Fi Display Mounting Assembly				•

See Pages 6 - 14 for Accessories, Manifold Systems, and Venting Options.

Parts for Commercial RTGH-C95DVL, RTGH-CM95DVL Series



Commercial Gas Chips

Models	Non-Common Vent		Common Vent	
	Single Unit Chip	Inline Gas Chip	Back to Back Gas Chip	
RTGH-CM95DVLN / RTGH-C95DVLN	RTG20261A	RTG20239BJ	RTG20239BW	
RTGH-CM95DVLP / RTGH-C95DVLP	RTG20254B	N/A	N/A	

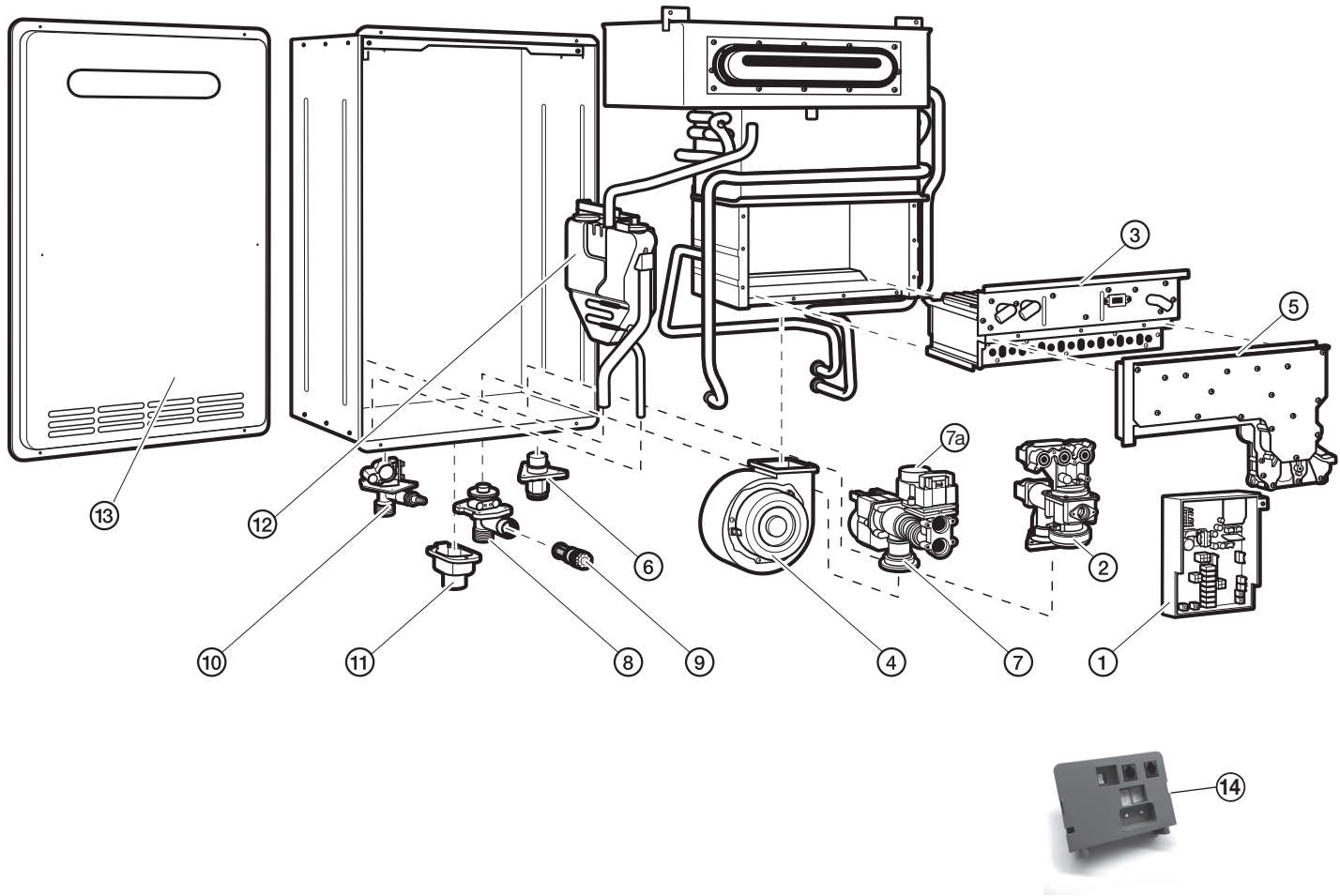
See Page 10 for manifold connection cables under Manifold Control Systems

Parts for Commercial RTGH-C95DVL, RTGH-CM95DVL Series

Ref #	Rheem Part #	Description	RTGH-C95DVL	RTGH-CM95DVL
1	RTG20239BH	Control Board	•	•
	RTG20006AR	Inlet Thermistor - White	•	•
	RTG20212BC	Heat Exchanger Thermistor - Yellow	•	•
	RTG20006BB	Outlet Thermistor - Black	•	•
	RTG20006UW	Ambient Thermistor - Blue	•	•
	RTG20223L	Vent High Temperature Limit Switch	•	•
	RTG20239M	Thermistor Wiring Harness	•	•
2	RTG20239AY	Gas Control Valve	•	•
	RTG20239AD	Gas Control Wiring Harness	•	•
3	RTG20235AD	Burner Assembly	•	•
	RTG20235C	Igniter Coil	•	•
	RTG20212BD	Igniter Rod (IG) (with gasket)	•	•
4	RTG20212K	Blower Motor	•	•
	RTG20223K	Blower Case	•	•
5	RTG20235W	Burner Manifold - LP	•	•
5	RTG20239AA	Burner Manifold NAT	•	•
	RTG20212BE	Flame Rod FL-1 (with gasket)	•	•
	RTG20235AX	Flame Rod Wire (White)	•	•
	RTG20212BG	Flame Rod FL-2 (with wire and gasket)	•	•
	RTG20223M	Flame Rod Wire (Blue)	•	•
6	RTG20164K	Gas Inlet Connector ¾"	•	•
7	RTG20164L	Water Control Valve	•	•
7a	RTG20235X	Bypass Assembly	•	•
8	RTG20164J	Water Inlet Connector ¾"	•	•
9	RTG20164AK	Inlet Water Filter	•	•
10	RTG20074CE	Hot Water Outlet Connector ¾"	•	•
11	RTG20164AA	Remote Control Terminal Block	•	•
	RTG20212U	Remote Control Terminal	•	•
12	RTG20239BU	Neutralization Replacement Kit	•	•
13	RTG20239Z	Front Cover - No Labels or Branding	•	•
14	RTG20223Y	Exhaust Vent Outlet Connector - PVC	•	•
15	RTG20223X	Air Intake Inlet Connector - PVC	•	•
	AP20796	Gas Shutoff Valve ¾"	•	•
	RTG20186	Replacement Screw Kit	•	•
	RTG20206	Replacement O-Ring Kit	•	•
	RTG20235AB	Thermostat Assembly	•	•
16	AP18297-4	Smartec Translator Assembly		•
	AP18278	Smartec Communication Cable		•
	AP18286	Screw, 6-19 x 3/8 in.		•
	AP18279	Smartec Jumper Connector		•
	RTG20212BH	Flame Rod Gaskets		
	RTG20006CH	Power Cord		
	RTG20239BD	10 Amp Fuse		

See Pages 15 - 19 for Common Venting Accessories.

Parts for Commercial RTGH-C95XL, RTGH-CM95XL Series



Commercial Gas Chips

Models	Non-Common Vent		Common Vent	
	Single Unit Chip	Inline Gas Chip	Back to Back Gas Chip	
RTGH-CM95XLN / RTGH-C95XLN	RTG20254C RTG20312C¹	N/A	N/A	
RTGH-CM95XLP / RTGH-C95XLP	RTG20254D RTG20312D²	N/A	N/A	

¹For RTGH-C95XLN models with serial number W171840369 or greater; or for RTGH-CM95XLN models with serial number W181832981 or greater

²For RTGH-C95XLP models with serial number W181826801 or greater

See Page 10 for manifold connection cables under Manifold Control Systems

Parts for Commercial RTGH-C95XL, RTGH-CM95XL Series

Ref #	Rheem Part #	Description	RTGH-C95XL	RTGH-CM95XL
1	RTG20239BH	Control Board	●	●
	RTG20239CX	Control Board	● ¹	● ²
	RTG20006AR	Inlet Thermistor - White	●	●
	RTG20212BC	Heat Exchanger Thermistor - Yellow	●	●
	RTG20006BB	Outlet Thermistor - Black	●	●
	RTG20006UW	Ambient Thermistor - Blue	●	●
	RTG20239M	Thermistor Wiring Harness	●	●
2	RTG20239AY	Gas Control Valve	●	●
	RTG20239AD	Gas Control Wiring Harness	●	●
3	RTG20235U	Burner Assembly	●	●
	RTG20235C	Igniter Coil	●	●
	RTG20212BD	Igniter Rod (IG) (with gasket)	●	●
4	RTG20212AB	Blower Motor	●	●
	RTG20212AC	Blower Case	●	●
5	RTG20235W	Burner Manifold - LP	●	●
5	RTG20235V	Burner Manifold NAT	●	●
	RTG20212BE	Flame Rod FL-1 (with gasket)	●	●
	RTG20235AX	Flame Rod Wire (White)	●	●
6	RTG20164K	Gas Inlet Connector ¾"	●	●
7	RTG20164L	Water Control Valve	●	●
7	RTG20239BT	Water Control Valve	● ¹	● ²
7a	RTG20235X	Bypass Assembly	●	●
8	RTG20164J	Water Inlet Connector ¾"	●	●
9	RTG20164AK	Inlet Water Filter	●	●
10	RTG20074CE	Hot Water Outlet Connector ¾"	●	●
	RTG20006AV	Drain Plug with Relief	●	●
11	RTG20164AA	Remote Control Terminal Block	●	●
	RTG20212U	Remote Control Terminal	●	●
12	RTG20239BU	Neutralization Replacement Kit	●	●
13	RTG20239Y	Front Cover - No Labels or Branding	●	●
	AP20796	Gas Shutoff Valve ¾"	●	●
	RTG20186	Replacement Screw Kit	●	●
	RTG20206	Replacement O-Ring Kit	●	●
	RTG20235AB	Thermostat Assembly	●	●
	AP18297-4	Smartec Translator Assembly		●
	AP18278	Smartec Communication Cable		●
14	AP18286	Screw, 6-19 x 3/8 in.		●
	AP18279	Smartec Jumper Connector		●
	RTG20212BH	Flame Rod Gaskets		
	RTG20006CH	Power Cord		
	RTG20239BD	10 Amp Fuse		

¹For RTGH-C95XLN models with serial number W171840369 or greater; or RTGH-C95XLP models with serial number W181826801

²For RTGH-CM95XLN models with serial number W181832981 or greater

See Pages 15 - 19 for Common Venting Accessories.

Tankless Model Cross Reference and Notes

Non-Condensing Tankless Model Cross Reference

Rheem	Ruud	Richmond	Rheem Performance	Paloma
RTG-64DVN	RUTG-64DVN	RMTG64DVN	ECO150DVN3	PH2-20RDVSN
RTG-64DVP	RUTG-64DVP	RMTG64DVP	ECO150DVP3	PH2-20RDVSP
RTG-64XN	RUTG-64XN	RMTG64XN	ECO150XN3	PH2-20ROFN
RTG-64XP	RUTG-64XP	RMTG64XP	ECO150XP3	PH2-20ROFP
RTG-84DVN	RUTG-84DVN	RMTG84DVN	ECO180DVN3	PH2-25RDVSN
RTG-84DVP	RUTG-84DVP	RMTG84DVP	ECO180DVP3	PH2-25RDVSP
RTG-84XN	RUTG-84XN	RMTG84XN	ECO180XN3	PH2-25ROFN
RTG-84XP	RUTG-84XP	RMTG84XP	ECO180XP3	PH2-25ROFP
RTG-95DVN	RUTG-95DVN	RMTG95DVN	ECO200DVN3	PH2-28RDVSN
RTG-95DVP	RUTG-95DVP	RMTG95DVP	ECO200DVP3	PH2-28RDVSP
RTG-95XN	RUTG-95XN	RMTG95XN	ECO200XN3	PH2-28ROFN
RTG-95XP	RUTG-95XP	RMTG95XP	ECO200XP3	PH2-28ROFP
RTG-64DVLN	RUTG-64DVLN	RMTG64DVLN	ECO150DVLN3	PH2-20RDVSLN
RTG-64DVLP	RUTG-64DVLP	RMTG64DVLP	ECO150DVLP3	PH2-20RDVSLP
RTG-64XLN	RUTG-64XLN	RMTG64XLN	ECO150XLN3	PH2-20ROFLN
RTG-64XLP	RUTG-64XLP	RMTG64XLP	ECO150XLP3	PH2-20ROFLP
RTG-70DVLN	RUTG-70DVLN	RMTG70DVLN	ECO160DVLN3	
RTG-70DVLP	RUTG-70DVLP	RMTG70DVLP	ECO160DVLP3	
RTG-70XLN	RUTG-70XLN	RMTG70XLN	ECO160XLN3	
RTG-70XLP	RUTG-70XLP	RMTG70XLP	ECO160XLP3	
RTG-84DVLN	RUTG-84DVLN	RMTG84DVLN	ECO180DVLN3	PH2-25RDVSLN
RTG-84DVLP	RUTG-84DVLP	RMTG84DVLP	ECO180DVLP3	PH2-25RDVSLP
RTG-84XLN	RUTG-84XLN	RMTG84XLN	ECO180XLN3	PH2-25ROFLN
RTG-84XLP	RUTG-84XLP	RMTG84XLP	ECO180XLP3	PH2-25ROFLP
RTG-95DVLN	RUTG-95DVLN	RMTG95DVLN	ECO200DVLN3	PH2-28RDVSLN
RTG-95DVLP	RUTG-95DVLP	RMTG95DVLP	ECO200DVLP3	PH2-28RDVSLP
RTG-95XLN	RUTG-95XLN	RMTG95XLN	ECO200XLN3	PH2-28ROFLN
RTG-95XLP	RUTG-95XLP	RMTG95XLP	ECO200XLP3	PH2-28ROFLP
RTG-95DVELN	RUTG-95DVELN	RMTG95DVELN	ECO200DVELN3	
RTG-95DVELP	RUTG-95DVELP	RMTG95DVELP	ECO200DVELP3	
RTG-95XELN	RUTG-95XELN	RMTG95XELN	ECO200XELN3	
RTG-95XELP	RUTG-95XELP	RMTG95XELP	ECO200XELP3	
RTG-RC95DVELN	RUTG-RC95DVELN	RMTGRC95DVELN	ECO200DVRCELN3	
RTG-RC95DVELP	RUTG-RC95DVELP	RMTGRC95DVELP	ECO200DVRCELP3	

Parts for the Non-Condensing Tankless Models begin on page 24.

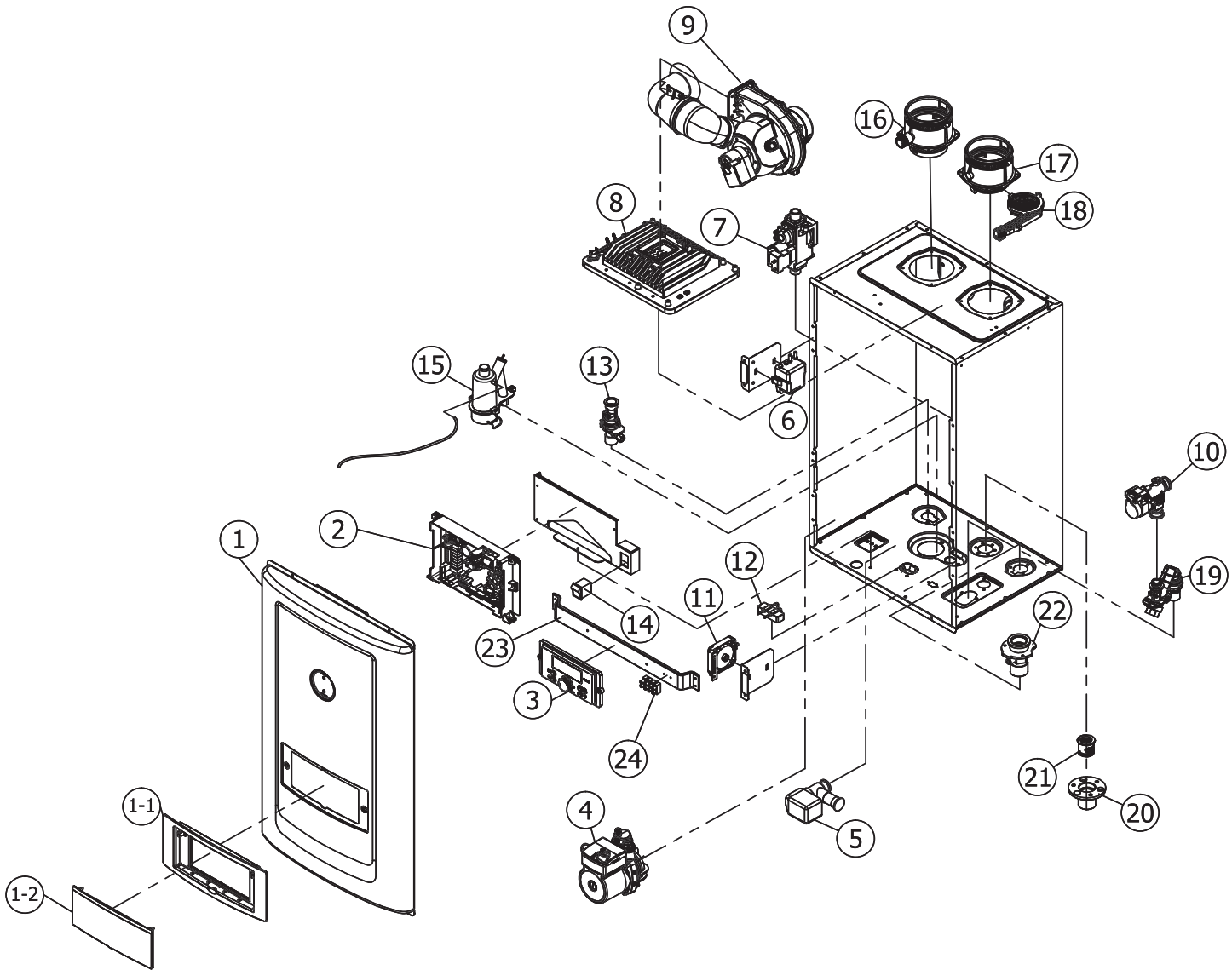
Tankless Model Cross Reference

Condensing Tankless Model Cross Reference

Rheem	Ruud	Richmond	Rheem Performance	Paloma
RTGH-95DVN	RUTGH-95DVN	RMTGH95DVN	ECO200DVN	PHH-32RDVN
RTGH-95DVP	RUTGH-95DVP	RMTGH95DVP	ECO200DVP	PHH-32RDVP
RTGH-95XN	RUTGH-95XN	RMTGH95XN	ECO200XN	PHH-32ROFN
RTGH-95XP	RUTGH-95XP	RMTGH95XP	ECO200XP	PHH-32ROFP
RTGH-84DVN	RUTGH-84DVN	RMTGH84DVN	ECO160DVN	PHH-25RDVN
RTGH-84DVP	RUTGH-84DVP	RMTGH84DVP	ECO160DVP	PHH-25RDVP
RTGH-84XN	RUTGH-84XN	RMTGH84XN	ECO160XN	PHH-25ROFN
RTGH-84XP	RUTGH-84XP	RMTGH84XP	ECO160XP	PHH-25ROFP
RTGH-95DVLN	RUTGH-95DVLN	RMTGH95DVLN	ECO200DVLN	PHH-32RDVLN
RTGH-95DVLP	RUTGH-95DVLP	RMTGH95DVLP	ECO200DVLP	PHH-32RDVLP
RTGH-95XLN	RUTGH-95XLN	RMTGH95XLN	ECO200XLN	PHH-32ROFLN
RTGH-95XLP	RUTGH-95XLP	RMTGH95XLP	ECO200XLP	PHH-32ROFLP
RTGH-95DVELN	RUTGH-95DVELN	RMTGH95DVELN	ECO200DVELN	
RTGH-95DVELP	RUTGH-95DVELP	RMTGH95DVELP	ECO200DVELP	
RTGH-95XELN	RUTGH-95XELN	RMTGH95XELN	ECO200XELN	
RTGH-95XELP	RUTGH-95XELP	RMTGH95XELP	ECO200XELP	
RTGH-RH11DVLN	RUTGH-RH11DVLN	RMTGH-RH11DVLN	ECO200DVHRLN	
RTGH-RH11DVLP	RUTGH-RH11DVLP	RMTGH-RH11DVLP	ECO200DVHRLP	
RTGH-RH10DVLN	RUTGH-RH10DVLN	RMTGH-RH10DVLN	ECO180DVHRLN	
RTGH-RH10DVLP	RUTGH-RH10DVLP	RMTGH-RH10DVLP	ECO180DVHRLP	
RTGH-90DVLN	RUTGH-90DVLN	RMTGH90DVLN	ECO180DVLN	PHH-29RDVLN
RTGH-90DVLP	RUTGH-90DVLP	RMTGH90DVLP	ECO180DVLP	PHH-29RDVLP
RTGH-90XLN	RUTGH-90XLN	RMTGH90XLN	ECO180XLN	PHH-29ROFLN
RTGH-90XLP	RUTGH-90XLP	RMTGH90XLP	ECO180XLP	PHH-29ROFLP
RTGH-84DVLN	RUTGH-84DVLN	RMTGH84DVLN	ECO160DVLN	PHH-25RDVLN
RTGH-84DVLP	RUTGH-84DVLP	RMTGH84DVLP	ECO160DVLP	PHH-25RDVLP
RTGH-84XLN	RUTGH-84XLN	RMTGH84XLN	ECO160XLN	PHH-25ROFLN
RTGH-84XLP	RUTGH-84XLP	RMTGH84XLP	ECO160XLP	PHH-25ROFLP
RTGH-C95DVLN	RUTGH-C95DVLN			
RTGH-C95DVLP	RUTGH-C95DVLP			
RTGH-C95XLN	RUTGH-C95XLN			
RTGH-C95XLP	RUTGH-C95XLP			
RTGH-CM95DVLN	RUTGH-CM95DVLN			
RTGH-CM95DVLP	RUTGH-CM95DVLP			
RTGH-CM95XLN	RUTGH-CM95XLN			
RTGH-CM95XLP	RUTGH-CM95XLP			
RTGH-S11iN	RUTGH-S11iN	RMTGH-S11iN	ECOHS200iN	
		RMTGH-S11iP	ECOHS200iP	
RTGH-SR11iN	RUTGH-SR11iN	RMTGH-SR11iN	ECOHSR200iN	
		RMTGH-SR11iP	ECOHSR200iP	
RTGH-S10iN	RUTGH-S10iN	RMTGH-S10iN	ECOHS180iN	
		RMTGH-S10iP	ECOHS180iP	
RTGH-SR10iN	RUTGH-SR10iN	RMTGH-SR10iN	ECOHSR180iN	
		RMTGH-SR10iP	ECOHSR180iP	
RTGH-S84iN	RUTGH-S84iN	RMTGH-S84iN	ECOHS160iN	
		RMTGH-S84iP	ECOHS160iP	
RTGH-SR84iN	RUTGH-SR84iN	RMTGH-SR84iN	ECOHSR160iN	
		RMTGH-SR84iP	ECOHSR160iP	

Parts for the Non-Condensing Tankless Models begin on page 20.

Parts for RTGH-RH10DVL, RTGH-RH11DVL Series (out of production)



OUTDOOR CONVERSION KIT



MODEL NUMBER	DESCRIPTION	COMPATIBLE WITH
RTGH-RHX*	Converts RTGH-RH indoor models for outdoor installation.	All RTGH-RH10DVL and RTGH-RH11DVL models

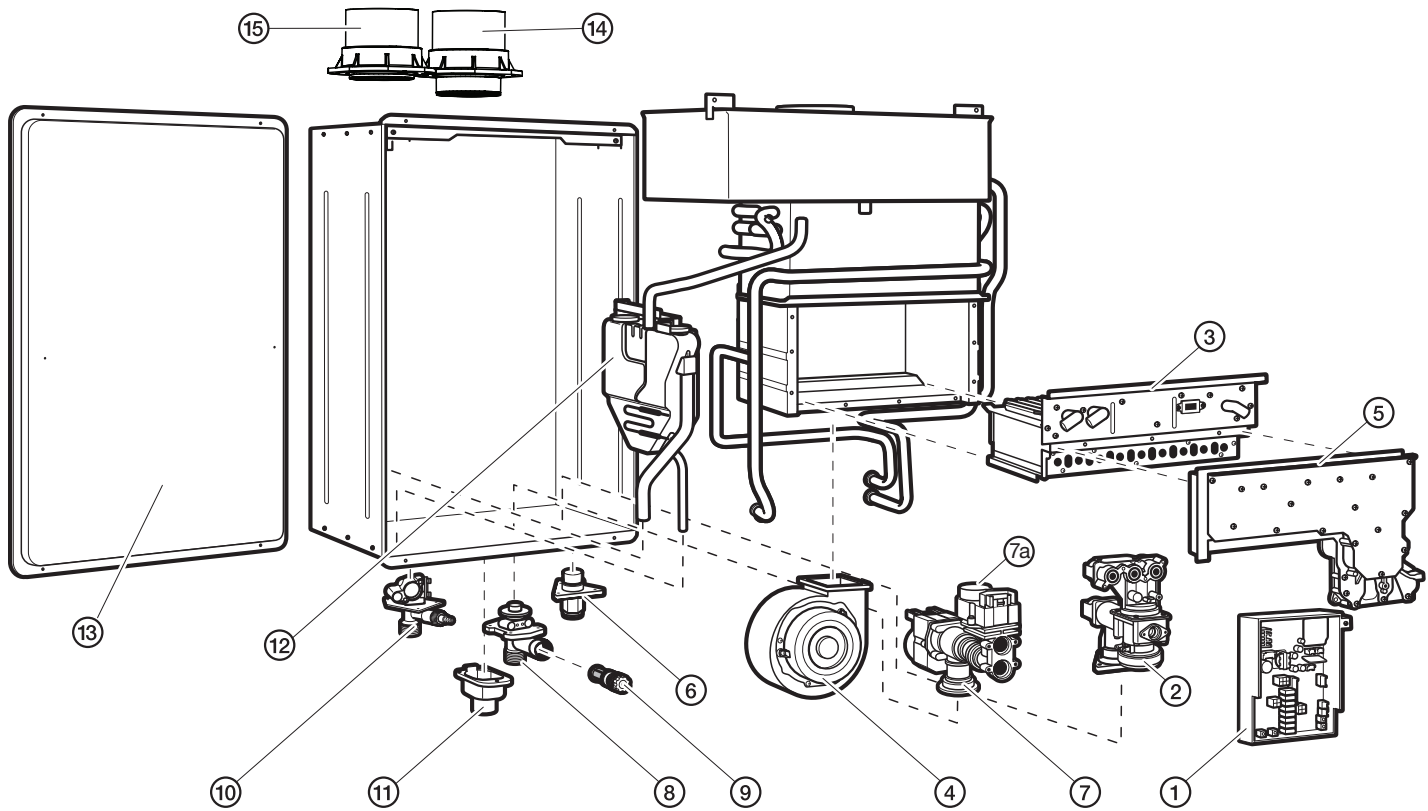
*This part is fulfilled through Rheem Water Heating Division. Not stocked at RPD.

Parts for RTGH-RH10DVL, RTGH-RH11DVL Series (out of production)

Ref #	Rheem Part #	Description	RTGH-RH10DVL	RTGH-RH11DVL
1	RTG20298AM	Front Cover Assembly	•	•
1-1	RTG20298AN	Display Panel Bracket	•	•
1-2	RTG20298AP	Display Panel Cover	•	•
2	RTG20298AU	PCB (Control Board)	•	•
3	RTG20298AR	Panel Window	•	•
4	RTG20299AP	Circulation Pump	•	•
5	RTG20299AV	Mixing Valve	•	•
6	RTG20298AF	Igniter Transformer	•	•
7	RTG20300T	Gas Valve Assembly	•	•
8	RTG20299C	Burner Assembly	•	•
9	RTG20310	Fan & AGM Assembly Kit - Natural Gas models	•	•
9	RTG20317	Fan & AGM Assembly Kit - LP models	•	•
10	RTG20298N	Flow Control Valve	•	•
11	RTG20298AH	Air Pressure Switch	•	•
12	RTG20298AK	Water Leak Detector	•	•
13	RTG20298H	Hot Water Pipe Assembly	•	•
14	RTG20298AV	Power Switch	•	•
15	RTG20298U	Condensate Trap	•	•
16	RTG20298X	Exhaust Assembly	•	•
17	RTG20298Y	Air Intake Assembly	•	•
18	RTG20298AC	Ai Intake Filter	•	•
19	RTG20298B	Water Inlet Valve Assembly	•	•
20	RTG20298R	Recirculation Return Connection	•	•
21	RTG20298S	Check Valve	•	•
22	RTG20298A	Gas Inlet Nipple	•	•
23	RTG20298AT	Display Panel Bracket	•	•
24	RTG20298BE	On-Demand Kit Terminal Block	•	•
	RTG20298E	Water Inlet Filter	•	•
	RTG20298F	O-Ring (P20)	•	•
	RTG20299X	Flame Detector Sensor	•	•
	RTG20298P	O-Ring (P16)	•	•
	RTG20299F	Ignition Rod	•	•
	RTG20299AL	Water Hammer Arrestor	•	•
	RTG20299AC	Heat Exchanger Temperature Sensor	•	•
	RTG20299AH	Mixing Valve O-Ring	•	•
	RTG20316CF	Flame Sensor Metal Plate	•	•
	RTG20316CG	Flame Sensor Bracket	•	•
	RTG20316CH	Flame Sensor Glass & Gasket	•	•
	RTG20316CJ	Flame View Glass	•	•
	RTG20316CK	Flame View Gasket	•	•
	RTG20316CL	Flame View Bracket	•	•
	RTG20300D	AGM Actuator	•	•

See Pages 6 - 14 for Accessories, Manifold Systems, and Venting Options.

Parts for RTGH-84DVL-1 or -2, RTGH-90DVL-1 or -2, RTGH-95DVL-1 or -2 Series (out of production)



Program Chips

Fuel Type	RTGH-84DVLN/P-1	RTGH-90DVLN/P-1	RTGH-95DVLN/P-1
Natural	RTG20239AJ	RTG20239AN	RTG20239AE
Natural	RTG20239BG ¹	RTG20239BF ²	RTG20239BE ³
Propane	RTG20239AK	RTG20239AP	RTG20239AF

Fuel Type	RTGH-68DVLN/P-2	RTGH-84DVLN/P-2	RTGH-90DVLN/P-2	RTGH-95DVLN/P-2
U.S. Natural	RTG20239CK	RTG20239CB	RTG20239CF	RTG20239BX
U.S. Propane	RTG20239CL	RTG20239CC	RTG20239CG	RTG20239BY
Can. Natural	N/A	RTG20239CS	RTG20239CU	RTG20239CP
Can. Propane	N/A	RTG20239CT	RTG20239CV	RTG20239CR

185°F Temperature Upgrade Kits - Commercial and Hydronic

Fuel Type	RTGH-84DVLN/P-1	RTGH-90DVLN/P-1	RTGH-95DVLN/P-1
Natural	RTG20256A	RTG20255A	RTG20254A
Natural	RTG20263A ¹	RTG20262A ²	RTG20261A ³
Propane	RTG20256B	RTG20255B	RTG20254B

Fuel Type	RTGH-68DVLN/P-2	RTGH-84DVLN/P-2	RTGH-90DVLN/P-2	RTGH-95DVLN/P-2
U.S. Natural	N/A	RTG20314A	RTG20313A	RTG20312A
U.S. Propane	N/A	RTG20314B	RTG20313B	RTG20312B
Can. Natural	N/A	RTG20314E	RTG20313E	RTG20312E
Can. Propane	N/A	RTG20314F	RTG20313F	RTG20312F

¹New Part Number for RTGH-84DVLN-1 Tankless Water Heaters with Serial Number higher than W051733461.

²New Part Number for RTGH-90DVLN-1 Tankless Water Heaters with Serial Number higher than W061709751.

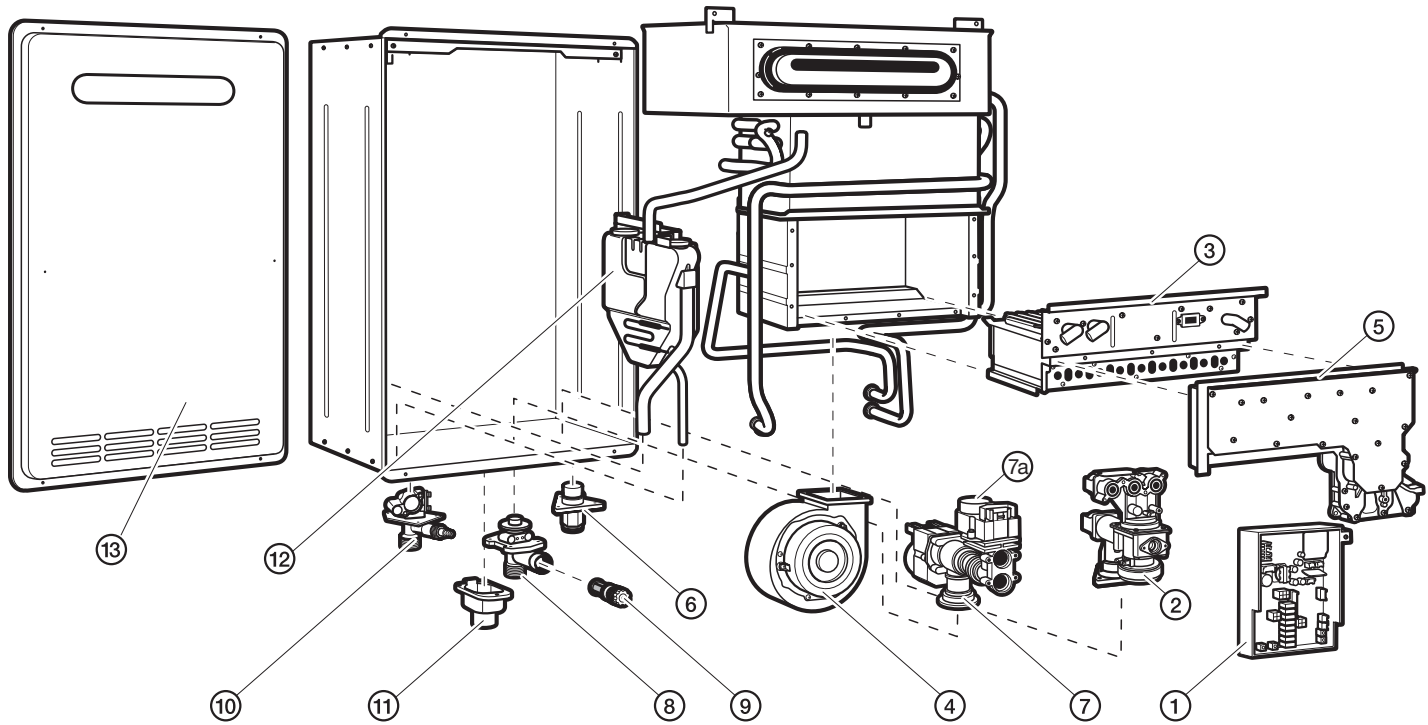
³New Part Number for RTGH-95DVLN-1 Tankless Water Heaters with Serial Number higher than W061706204.

Parts for RTGH-84DVL-1 or -2, RTGH-90DVL-1 or -2, RTGH-95DVL-1 or -2 Series (out of production)

Ref #	Rheem Part #	Description	RTGH-84DVL-1	RTGH-84DVL-2	RTGH-90DVL-1	RTGH-90DVL-2	RTGH-95DVL-1	RTGH-95DVL-2
1	RTG20239BH	Control Board	•		•		•	
1	RTG20239CX	Control Board		•		•		•
	RTG20006AR	Inlet Thermistor - White	•	•	•	•	•	•
	RTG20212BC	Heat Exchanger Thermistor - Yellow	•	•	•	•	•	•
	RTG20006BB	Outlet Thermistor - Black	•	•	•	•	•	•
	RTG20006UW	Ambient Thermistor - Blue	•	•	•	•	•	•
	RTG20223L	Vent High Temperature Limit Switch	•	•	•	•	•	•
	RTG20239M	Thermistor Wiring Harness	•	•	•	•	•	•
2	RTG20239AY	Gas Control Valve	•	•	•	•	•	•
	RTG20239AD	Gas Control Wiring Harness	•	•	•	•	•	•
3	RTG20235AD	Burner Assembly	•	•	•	•	•	•
	RTG20235C	Igniter Coil	•	•	•	•	•	•
	RTG20212BD	Igniter Rod (IG) (with gasket)	•	•	•	•	•	•
4	RTG20212K	Blower Motor	•		•		•	
	RTG20223K	Blower Case	•		•		•	
4	RTG20239BL	Blower Motor		•		•		•
	RTG20239BM	Blower Case		•		•		•
5	RTG20235W	Burner Manifold - LP	•	•	•	•	•	•
5	RTG20239AA	Burner Manifold NAT	•		•		•	
5	RTG20235V	Burner Manifold NAT		•		•		•
	RTG20212BE	Flame Rod FL-1 (with gasket)	•	•	•	•	•	•
	RTG20235AX	Flame Rod Wire (White)	•	•	•	•	•	•
	RTG20212BG	Flame Rod FL-2 (with wire and gasket)	•	•	•	•	•	•
	RTG20223M	Flame Rod Wire (Blue)	•	•	•	•	•	•
6	RTG20164K	Gas Inlet Connector ¾"	•	•	•	•	•	•
7	RTG20164L	Water Control Valve	•		•		•	
7	RTG20239BT	Water Control Valve		•		•		•
7a	RTG20235X	Bypass Assembly	•	•	•	•	•	•
8	RTG20164J	Water Inlet Connector ¾"	•	•	•	•	•	•
9	RTG20164AK	Inlet Water Filter	•	•	•	•	•	•
10	RTG20074CE	Hot Water Outlet Connector ¾"	•	•	•	•	•	•
11	RTG20164AA	Remote Control Terminal Block	•	•	•	•	•	•
	RTG20212U	Remote Control Terminal	•	•	•	•	•	•
12	RTG20239BU	Neutralization Replacement Kit	•	•	•	•	•	•
13	RTG20239Z	Front Cover - No Labels or Branding	•	•	•	•	•	•
14	RTG20223Y	Exhaust Vent Outlet Connector - 3" PVC	•		•		•	
14	RTG20239BS	Exhaust Vent Outlet Connector - 2" PVC		•		•		•
15	RTG20223X	Air Intake Inlet Connector - 3" PVC	•		•		•	
15	RTG20239BR	Air Intake Inlet Connector - 2" PVC		•		•		•
	RTG20239BN	Gaskets for Intake & Exhaust		•		•		•
	RTG20239BP	Locking Band for Intake & Exhaust		•		•		•
	AP20796	Gas Shutoff Valve ¾"	•	•	•	•	•	•
	RTG20186	Replacement Screw Kit	•	•	•	•	•	•
	RTG20206	Replacement O-Ring Kit	•	•	•	•	•	•
	RTG20235AB	Thermostat Assembly	•	•	•	•	•	•
	RTG20239BK	EZ Hanging Bracket		•		•		•
	RTG20212BH	Flame Rod Gaskets						
	RTG20006CH	Power Cord						
	RTG20239BD	10 Amp Fuse						
	RTG20239L	GCV/Igniter Coil wiring harness						
	RTG20223V	GCV/Fuse wiring harness						

See Pages 6 - 14 for Accessories, Manifold Systems, and Venting Options.

Parts for RTGH-84XL-1 or -2, RTGH-90XL-1 or -2, RTGH-95XL-1 or -2 Series (out of production)



Program Chips

Fuel Type	RTGH-84XLN/P-1	RTGH-90XLN/P-1	RTGH-95XLN/P-1
Natural	RTG20239AL	RTG20239AR	RTG20239AG
Propane	RTG20239AM	RTG20239AS	RTG20239AH

Fuel Type	RTGH-68XLN/P-2	RTGH-84XLN/P-2	RTGH-90XLN/P-2	RTGH-95XLN/P-2
Natural	RTG20239CM	RTG20239CD	RTG20239CH	RTG20239BZ
Propane	RTG20239CN	RTG20239CE	RTG20239CJ	RTG20239CA

185°F Temperature Upgrade Kits - Commercial and Hydronic

Fuel Type	RTGH-84XLN/P-1	RTGH-90XLN/P-1	RTGH-95XLN/P-1
Natural	RTG20256C	RTG20255C	RTG20254C
Propane	RTG20256D	RTG20255D	RTG20254D

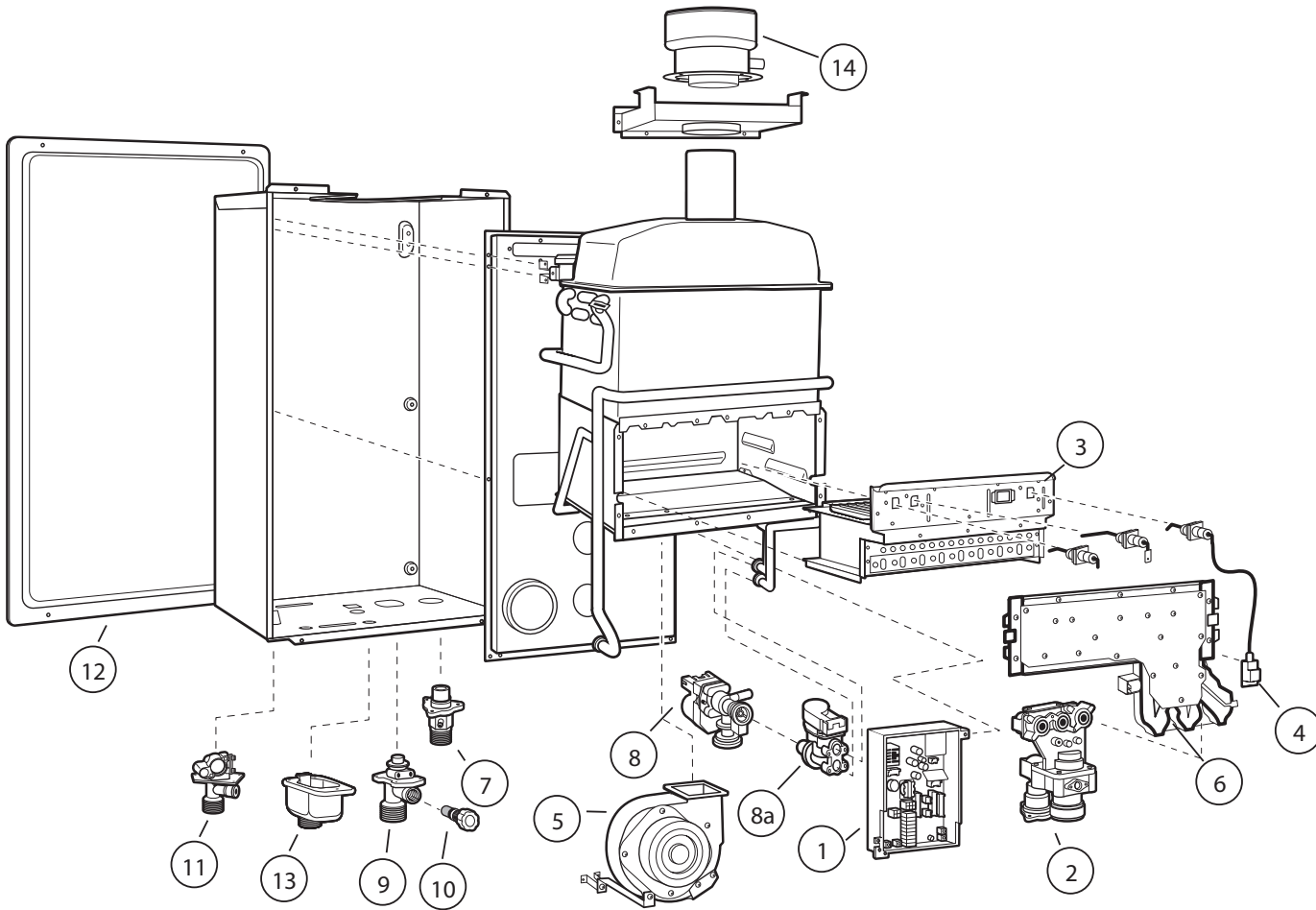
Fuel Type	RTGH-68XLN/P-2	RTGH-84XLN/P-2	RTGH-90XLN/P-2	RTGH-95XLN/P-2
Natural	N/A	RTG20314C	RTG20313C	RTG20312C
Propane	N/A	RTG20314D	RTG20313D	RTG20312D

Parts for RTGH-84XL-1 or -2, RTGH-90XL-1 or -2, RTGH-95XL-1 or -2 Series (out of production)

Ref #	Rheem Part #	Description	RTGH-84XL-1	RTGH-84XL-2	RTGH-90XL-1	RTGH-90XL-2	RTGH-95XL-1	RTGH-95XL-2
1	RTG20239BH	Control Board	•		•		•	
1	RTG20239CX	Control Board		•		•		•
	RTG20006AR	Inlet Thermistor - White	•	•	•	•	•	•
	RTG20212BC	Heat Exchanger Thermistor - Yellow	•	•	•	•	•	•
	RTG20006BB	Outlet Thermistor - Black	•	•	•	•	•	•
	RTG20006UW	Ambient Thermistor - Blue	•	•	•	•	•	•
	RTG20239M	Thermistor Wiring Harness	•	•	•	•	•	•
2	RTG20239AY	Gas Control Valve	•	•	•	•	•	•
	RTG20239AD	Gas Control Wiring Harness	•	•	•	•	•	•
3	RTG20235U	Burner Assembly	•	•	•	•	•	•
	RTG20235C	Igniter Coil	•	•	•	•	•	•
	RTG20212BD	Igniter Rod (IG) (with gasket)	•	•	•	•	•	•
4	RTG20212AB	Blower Motor	•	•	•	•	•	•
	RTG20212AC	Blower Case	•	•	•	•	•	•
5	RTG20235W	Burner Manifold - LP	•	•	•	•	•	•
5	RTG20235V	Burner Manifold NAT	•	•	•	•	•	•
	RTG20212BE	Flame Rod FL-1 (with gasket)	•	•	•	•	•	•
	RTG20235AX	Flame Rod Wire (White)	•	•	•	•	•	•
6	RTG20164K	Gas Inlet Connector 3/4"	•	•	•	•	•	•
7	RTG20164L	Water Control Valve	•		•		•	
7	RTG20239BT	Water Control Valve		•		•		•
7a	RTG20235X	Bypass Assembly	•	•	•	•	•	•
8	RTG20164J	Water Inlet Connector 3/4"	•	•	•	•	•	•
9	RTG20164AK	Inlet Water Filter	•	•	•	•	•	•
10	RTG20074CE	Hot Water Outlet Connector 3/4"	•	•	•	•	•	•
	RTG20006AV	Drain Plug with Relief	•	•	•	•	•	•
11	RTG20164AA	Remote Control Terminal Block	•	•	•	•	•	•
	RTG20212U	Remote Control Terminal	•	•	•	•	•	•
12	RTG20239BU	Neutralization Replacement Kit	•	•	•	•	•	•
13	RTG20239Y	Front Cover - No Labels or Branding	•	•	•	•	•	•
	RTG20074EH	Gas Shutoff Valve 3/4"	•	•	•	•	•	•
	RTG20186	Replacement Screw Kit	•	•	•	•	•	•
	RTG20206	Replacement O-Ring Kit	•	•	•	•	•	•
	RTG20235AB	Thermostat Assembly	•	•	•	•	•	•
	RTG20212BH	Flame Rod Gaskets	•	•	•	•	•	•
	RTG20006CH	Power Cord	•	•	•	•	•	•
	RTG20239BD	10 Amp Fuse	•	•	•	•	•	•
	RTG20239L	GCV/Igniter Coil wiring harness	•	•	•	•	•	•
	RTG20223V	GCV/Fuse wiring harness	•	•	•	•	•	•

See Pages 6 - 14 for Accessories, Manifold Systems, and Venting Options.

Parts for RTG-64DVL-1, RTG-70DVL-1, RTG-84DVL-1, RTG-95DVL-1 Series (out of production)



Program Chips

Fuel Type	RTG-64DVLN/P-1	RTG-70DVLN/P-1	RTG-84DVLN/P-1	RTG-95DVLN/P-1
Natural	RTG20235AN	RTG20235AY	RTG20235AJ	RTG20235AE
Propane	RTG20235AP	RTG20235AZ	RTG20235AK	RTG20235AF

185°F Temperature Upgrade Kits - Commercial and Hydronic

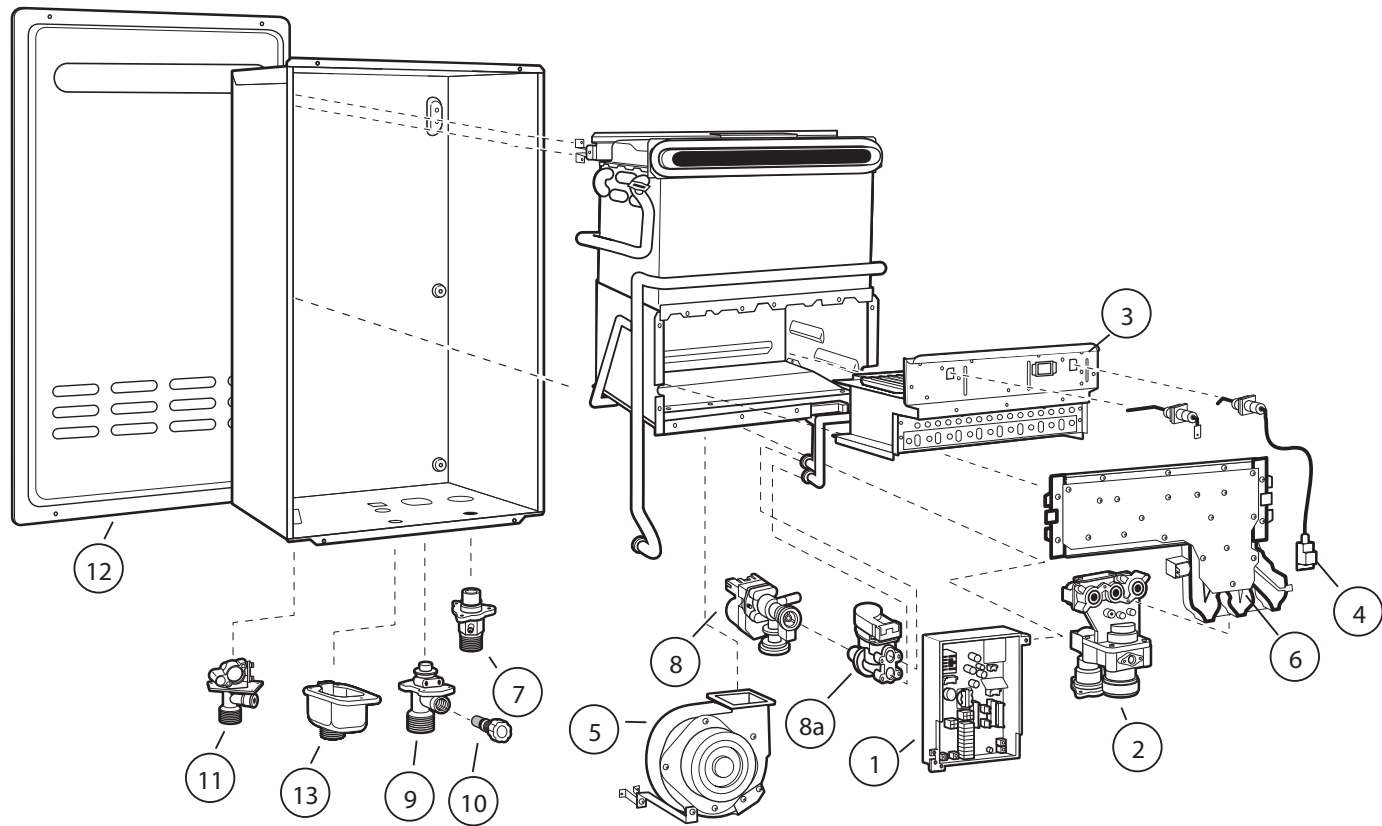
Fuel Type	RTG-64DVLN/P-1	RTG-70DVLN/P-1	RTG-84DVLN/P-1	RTG-95DVLN/P-1
Natural	-	-	RTG20250A	RTG20249A
Propane	-	-	RTG20250B	RTG20249B

Parts for RTG-64DVL-1, RTG-70DVL-1, RTG-84DVL-1, RTG-95DVL-1 Series (out of production)

Ref #	Rheem Part #	Description	RTG-64DVL-1 <i>(out of production)</i>	RTG-70DVL-1	RTG-84DVL-1	RTG-95DVL-1
1	RTG20235Y	Control Board	•	•	•	•
	RTG20164R	Ambient Thermistor - Blue	•	•	•	•
	RTG20212BC	Heat Exchanger Thermistor - Yellow	•	•	•	•
	RTG20006AR	Inlet Thermistor - White	•	•	•	•
	RTG20006BB	Outlet Thermistor - Black	•	•	•	•
	RTG20239M	Thermistor Wiring Harness	•	•	•	•
2	RTG20235AC	Gas Valve Assy	•	•	•	•
3	RTG20235AD	Burner Assembly	•	•	•	•
6	RTG20235V	Burner Manifold - NAT	•	•	•	•
6	RTG20235W	Burner Manifold - LP	•	•	•	•
	RTG20212BE	Flame Rod "FL1" (Right) w/gasket	•	•	•	•
8a	RTG20235X	Water Bypass Valve	•	•	•	•
	RTG20212J	Freeze Protection	•	•	•	•
	RTG20212BG	Flame Rod "Sensor" (Left) with wire and gasket	•	•	•	•
	RTG20223M	Flame Rod Wire (Blue)	•	•	•	•
	RTG20235AX	Flame Rod Wire (White)	•	•	•	•
4	RTG20235C	Igniter Coil	•	•	•	•
	RTG20212BD	Igniter Rod (Right) w/gasket	•	•	•	•
5	RTG20212K	Blower Motor	•	•	•	•
	RTG20212L	Blower Case	•	•	•	•
7	RTG20164K	Gas Inlet Connector 3/4"	•	•	•	•
8	RTG20164L	Water Control Valve	•	•	•	•
9	RTG20164J	Water Inlet Connector 3/4"	•	•	•	•
10	RTG20164AK	Inlet Water Filter	•	•	•	•
11	RTG20074CE	Hot Water Outlet Connector 3/4"	•	•	•	•
12	RTG20235AU	Front Cover - No Labels or Branding	•	•	•	•
13	RTG20212U	Remote Control Terminal	•	•	•	•
	RTG20164AA	Remote Control Terminal Block	•	•	•	•
	RTG20006AV	Drain Plug with Relief	•	•	•	•
	RTG20212A	Top Mounting Bracket	•	•	•	•
	RTG20212B	Bottom Mounting Bracket	•	•	•	•
	RTG20164AB	Screw Pan FT 4X12	•	•	•	•
14	RTG20212BB	Concentric Vent Connector Assembly	•	•	•	•
	AP20796	Gas Shutoff Valve 3/4"	•	•	•	•
	RTG20186	Replacement Screw Kit	•	•	•	•
	RTG20206	Replacement O-Ring Kit	•	•	•	•
	RTG20235AB	Thermostat Assembly	•	•	•	•
	RTG20212BH	Flame Rod Gas				
	RTG20006CH	Power Cord				
	RTG20239BD	10 Amp Fuse				
	RTG20239L	GCV/Igniter Coil Wiring Harness				
	RTG20223V	GCV/Fuse Wiring Harness				

See Pages 6 - 14 for Accessories, Manifold Systems, and Venting Options.

Parts for RTG-64XL-1, RTG-70XL-1, RTG-84XL-1, RTG-95XL-1 Series (out of production)



Program Chips

Fuel Type	RTG-64XLN/P-1	RTG-70XLN/P-1	RTG-84XLN/P-1	RTG-95XLN/P-1
Natural	RTG20235AR	RTG20235BA	RTG20235AL	RTG20235AG
Propane	RTG20235AS	RTG20235BB	RTG20235AM	RTG20235AH

185°F Temperature Upgrade Kits - Commercial and Hydronic

Fuel Type	RTG-64XLN/P-1	RTG-70XLN/P-1	RTG-84XLN/P-1	RTG-95XLN/P-1
Natural	-	-	RTG20250C	RTG20249C
Propane	-	-	RTG20250D	RTG20249D

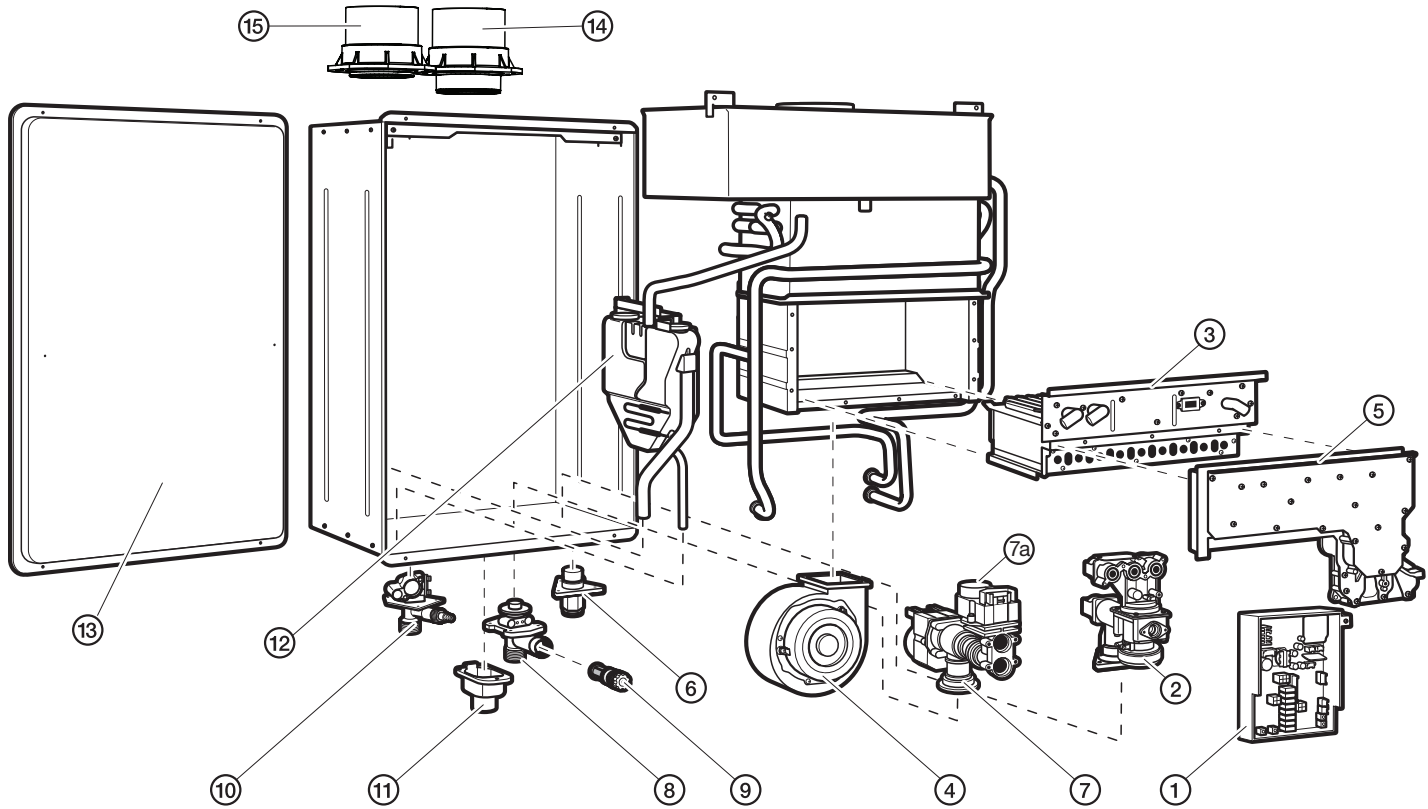
Parts for RTG-64XL-1, RTG-70XL-1, RTG-84XL-1, RTG-95XL-1 Series (out of production)

Ref #	Rheem Part #	Description	RTG-64XL-1 <i>(out of production)</i>	RTG70XL-1	RTG-84XL-1	RTG-95XL-1
1	RTG20235Y	Control Board	•	•	•	•
	RTG20212BC	Heat Exchanger Thermistor - Yellow	•	•	•	•
	RTG20006BB	Outlet Thermistor - Black	•	•	•	•
	RTG20006AR	Inlet Thermistor - White	•	•	•	•
	RTG20006UW	Ambient Thermistor - Blue	•	•	•	•
	RTG20239M	Thermistor Wiring Harness	•	•	•	•
2	RTG20235T	Gas Valve Assy	•	•	•	•
	RTG20212J	Freeze Protection	•	•	•	•
3	RTG20235U	Burner Assembly	•	•	•	•
	RTG20212BE	Flame Rod "FL" (Right) w/gasket	•	•	•	•
	RTG20212BD	Igniter Rod (Right) w/gasket	•	•	•	•
	RTG20235AX	Flame Rod Connector (White)	•	•	•	•
4	RTG20235C	Igniter Coil	•	•	•	•
5	RTG20212AB	Blower Motor	•	•	•	•
	RTG20212AC	Blower Case	•	•	•	•
6	RTG20235V	Burner Manifold - NAT	•	•	•	•
6	RTG20235W	Burner Manifold - LP	•	•	•	•
7	RTG20164K	Gas Inlet Connector 3/4"	•	•	•	•
8	RTG20164L	Water Control Valve*	•	•	•	•
8a	RTG20235X	Water Bypass Valve	•	•	•	•
9	RTG20164J	Water Inlet Connector 3/4"	•	•	•	•
	RTG20006AV	Drain Plug with Relief	•	•	•	•
10	RTG20164AK	Inlet Water Filter	•	•	•	•
11	RTG20074CE	Hot Water Outlet Connector 3/4"	•	•	•	•
	RTG20164AB	Screw Pan FT 4X12	•	•	•	•
12	RTG20235AT	Front Cover - No Labels or Branding	•	•	•	•
	AP20796	Gas Shutoff Valve 3/4"	•	•	•	•
	RTG20186	Replacement Screw Kit	•	•	•	•
	RTG20206	Replacement O-Ring Kit	•	•	•	•
	RTG20235AB	Thermostat Assembly	•	•	•	•
13	RTG20164AA	Remote Control Terminal Block	•	•	•	•
	RTG20212BH	Flame Rod Gaskets	•	•	•	•
	RTG20006CH	Power Cord	•	•	•	•
	RTG20239BD	10 Amp Fuse	•	•	•	•
	RTG20239L	GCV/Igniter Coil Wiring Harness	•	•	•	•
	RTG20223V	GCV/Fuse Wiring Harness	•	•	•	•

*Units made after 2020 use RTG20164AY

See Pages 6 - 14 for Accessories, Manifold Systems, and Venting Options.

Parts for RTGH-84, RTGH-90, RTGH-95 DV and DVL Series (out of production)



Program Chips

Fuel Type	RTGH-84DV	RTGH-95DV	RTGH-84DVL	RTGH-90DVL	RTGH-95DVL
Natural	RTG20228T	RTG20228N	RTG20239G	RTG20239P	RTG20239C
Propane	RTG20228U	RTG20228P	RTG20239H	RTG20239R	RTG20239D

185°F Temperature Upgrade Kits - Commercial and Hydronic

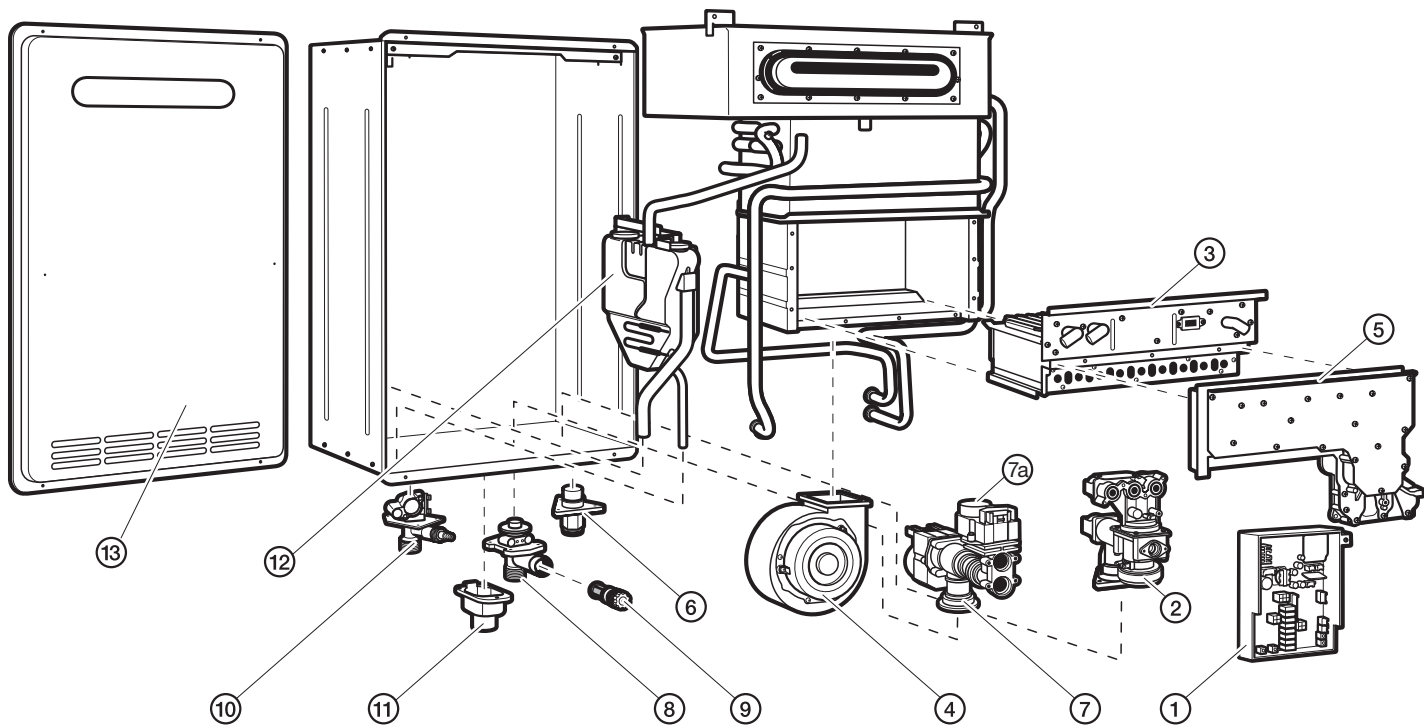
Fuel Type	RTGH-84DV	RTGH-95DV	RTGH-84DVL	RTGH-90DVL	RTGH-95DVL
Natural	RTG20225A	RTG20224A	RTG20241A	RTG20244A	RTG20240A
Propane	RTG20225B	RTG20224B	RTG20241B	RTG20244B	RTG20240B

Parts for RTGH-84, RTGH-90, RTGH-95 DV and DVL Series (out of production)

Ref #	Rheem Part #	Description	RTGH-84DV	RTGH-95DV	RTGH-84DVL	RTGH-90DVL	RTGH-95DVL
1	RTG20223P	Control Board	•	•			
1	RTG20239B	Control Board			•	•	•
	RTG20223D	Inlet Thermistor - White	•	•			
	RTG20006AR	Inlet Thermistor - White			•	•	•
	RTG20223G	Heat Exchanger Thermistor - Green	•	•			
	RTG20212BC	Heat Exchanger Thermistor - Yellow	•	•	•	•	•
	RTG20223H	Outlet Thermistor - Black	•	•			
	RTG20006BB	Outlet Thermistor - Black			•	•	•
	RTG20223J	Ambient Thermistor - Blue	•	•			
	RTG20006UW	Ambient Thermistor - Blue			•	•	•
	RTG20223L	Vent High Temperature Limit Switch	•	•	•	•	•
	RTG20223W	Thermistor Wiring Harness	•	•			
	RTG20239M	Thermistor Wiring Harness			•	•	•
2	RTG20212V	Gas Control Valve	•	•	•	•	•
	RTG20223V	Gas Control Wiring Harness	•	•			
	RTG20239L	Gas Control Wiring Harness			•	•	•
3	RTG20212D	Burner Assembly	•	•	•	•	•
	RTG20235C	Igniter Coil	•	•	•	•	•
	RTG20212BD	Igniter Rod (IG) (with gasket)	•	•	•	•	•
4	RTG20212K	Blower Motor	•	•	•	•	•
	RTG20223K	Blower Case	•	•	•	•	•
5	RTG20212F	Burner Manifold LP	•	•			
5	RTG20235B	Burner Manifold - LP			•	•	•
5	RTG20212X	Burner Manifold NAT	•	•			
5	RTG20239A	Burner Manifold NAT			•	•	•
	RTG20212BE	Flame Rod FL-1 (with gasket)	•	•	•	•	•
	RTG20212P	Flame Rod Wire (White)	•	•	•	•	•
	RTG20212BG	Flame Rod FL-2 (with gasket)	•	•	•	•	•
	RTG20223M	Flame Rod Wire (Blue)	•	•	•	•	•
6	RTG20164K	Gas Inlet Connector 3/4"	•	•	•	•	•
7	RTG20223E	Water Control Valve	•	•			
7	RTG20164L	Water Control Valve			•	•	•
7a	RTG20235X	Bypass Assembly	•	•	•	•	•
8	RTG20164J	Water Inlet Connector 3/4"	•	•	•	•	•
9	RTG20164AK	Inlet Water Filter	•	•	•	•	•
10	RTG20074CE	Hot Water Outlet Connector 3/4"	•	•	•	•	•
11	RTG20164AA	Remote Control Terminal Block	•	•	•	•	•
	RTG20212U	Remote Control Terminal	•	•	•	•	•
12	RTG20223F	Neutralization Replacement Kit for DV series	•	•			
12	RTG20239N	Neutralization Replacement Kit for DVL series			•	•	•
13	RTG20223B	Front Cover - No Labels or Branding	•	•	•	•	•
14	RTG20223Y	Exhaust Vent Outlet Connector - PVC	•	•	•	•	•
15	RTG20223X	Air Intake Inlet Connector - PVC	•	•	•	•	•
	AP20796	Gas Shutoff Valve 3/4"	•	•	•	•	•
	RTG20186	Replacement Screw Kit	•	•	•	•	•
	RTG20206	Replacement O-Ring Kit	•	•	•	•	•
	RTG20212BH	Flame Rod Gaskets	•	•	•	•	•
	RTG20006CH	Power Cord	•	•	•	•	•
	RTG20239BD	10 Amp Fuse	•	•	•	•	•
	RTG20239L	GCV/Igniter Coil Wiring Farness	•	•	•	•	•
	RTG20223V	GCV/Fuse Wiring Farness	•	•	•	•	•

See Pages 6 - 14 for Accessories, Manifold Systems, and Venting Options.

Parts for RTGH-84, RTGH-90, RTGH-95 X and XL Series (out of production)



Program Chips

Fuel Type	RTGH-84X	RTGH-95X	RTGH-84XL	RTGH-90XL	RTGH-95XL
Natural	RTG20228V	RTG20228R	RTG20239J	RTG20239S	RTG20239E
Propane	RTG20228W	RTG20228S	RTG20239K	RTG20239T	RTG20239F

185°F Temperature Upgrade Kits - Commercial and Hydronic

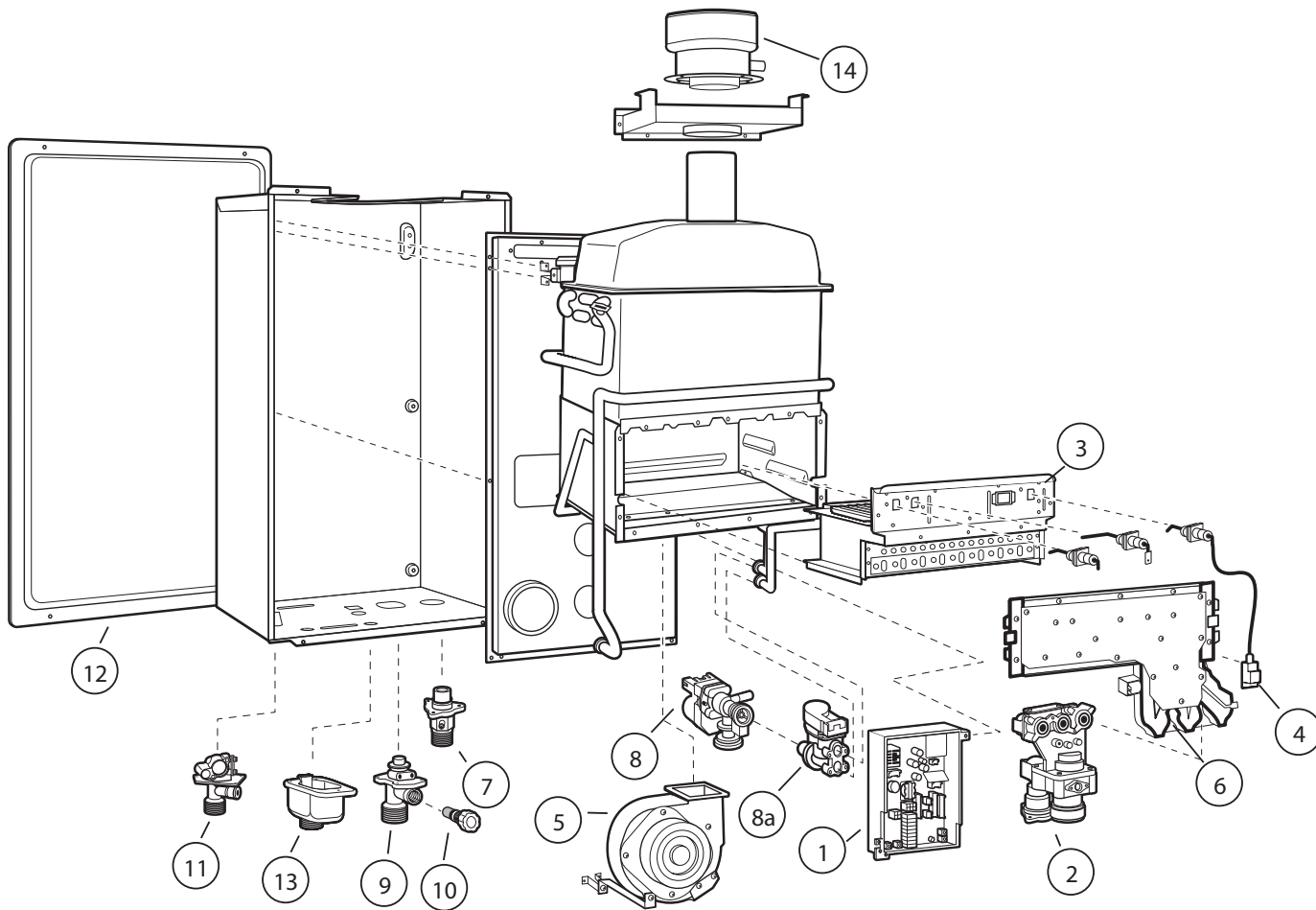
Fuel Type	RTGH-84X	RTGH-95X	RTGH-84XL	RTGH-90XL	RTGH-95XL
Natural	RTG20225C	RTG20224C	RTG20241C	RTG20244C	RTG20240C
Propane	RTG20225D	RTG20224D	RTG20241D	RTG20244D	RTG20240D

Parts for RTGH-84, RTGH-95 X and XL Series (out of production)

Ref #	Rheem Part #	Description	RTGH-84X	RTGH-95X	RTGH-84XL	RTGH-90XL	RTGH-95XL	
1	RTG20223P	Control Board	•	•				
	RTG20239B	Control Board			•	•	•	
	RTG20223D	Inlet Thermistor - White	•	•				
	RTG20006AR	Inlet Thermistor - White			•	•	•	
	RTG20223G	Heat Exchanger Thermistor - Green	•	•				
	RTG20212BC	Heat Exchanger Thermistor - Yellow	•	•	•	•	•	
	RTG20223H	Outlet Thermistor - Black	•	•				
	RTG20006BB	Outlet Thermistor - Black			•	•	•	
	RTG20223J	Ambient Thermistor - Blue	•	•				
	RTG20006UW	Ambient Thermistor - Blue			•	•	•	
	RTG20223W	Thermistor Wiring Harness	•	•				
	RTG20239M	Thermistor Wiring Harness			•	•	•	
	2	RTG20212V	Gas Control Valve	•	•	•	•	•
		RTG20223V	Gas Control Wiring Harness	•	•			
RTG20239L		Gas Control Wiring Harness			•	•	•	
3	RTG20212W	Burner Assembly	•	•	•	•	•	
	RTG20235C	Igniter Coil	•	•	•	•	•	
	RTG20212BD	Igniter Rod (IG) (with gasket)	•	•	•	•	•	
4	RTG20212AB	Blower Motor	•	•	•	•	•	
	RTG20212AC	Blower Case	•	•	•	•	•	
5	RTG20212F	Burner Manifold LP	•	•				
5	RTG20235B	Burner Manifold - LP			•	•	•	
5	RTG20212X	Burner Manifold NAT	•	•				
5	RTG20235A	Burner Manifold NAT			•	•	•	
	RTG20212BE	Flame Rod FL-1 (with gasket)	•	•	•	•	•	
	RTG20212P	Flame Rod Wire (White)	•	•	•	•	•	
6	RTG20164K	Gas Inlet Connector 3/4"	•	•	•	•	•	
7	RTG20223E	Water Control Valve	•	•				
7	RTG20164L	Water Control Valve			•	•	•	
7a	RTG20235X	Bypass Assembly	•	•	•	•	•	
8	RTG20164J	Water Inlet Connector 3/4"	•	•	•	•	•	
9	RTG20164AK	Inlet Water Filter	•	•	•	•	•	
10	RTG20074CE	Hot Water Outlet Connector 3/4"	•	•	•	•	•	
	RTG20006AV	Drain Plug with Relief	•	•	•	•	•	
11	RTG20164AA	Remote Control Terminal Block	•	•	•	•	•	
	RTG20212U	Remote Control Terminal	•	•	•	•	•	
12	RTG20223F	Neutralization Replacement Kit for DV series	•	•				
12	RTG20239N	Neutralization Replacement Kit for DVL series			•	•	•	
13	RTG20223A	Front Cover - No Labels or Branding	•	•	•	•	•	
	AP20796	Gas Shutoff Valve 3/4"	•	•	•	•	•	
	RTG20186	Replacement Screw Kit	•	•	•	•	•	
	RTG20206	Replacement O-Ring Kit	•	•	•	•	•	
	RTG20212BH	Flame Rod Gaskets	•	•	•	•	•	
	RTG20006CH	Power Cord	•	•	•	•	•	
	RTG20239BD	10 Amp Fuse	•	•	•	•	•	
	RTG20239L	GCV/Igniter Coil Wiring Harness	•	•	•	•	•	
	RTG20223V	GCV/Fuse Wiring Harness	•	•	•	•	•	

See Pages 6 - 14 for Accessories, Manifold Systems, and Venting Options.

Parts for RTG-64, RTG-84, RTG-95, DV and DVL Series (out of production)



Program Chips

Fuel Type	RTG-64DV	RTG-84DV	RTG-95DV	RTG-64DVL	RTG-84DVL	RTG-95DVL
Natural	RTG20212AV	RTG20212AL	RTG20212S	RTG20235N	RTG20235J	RTG20235E
Propane	RTG20212AW	RTG20212AM	RTG20212T	RTG20235P	RTG20235K	RTG20235F

185°F Temperature Upgrade Kits - Commercial and Hydronic

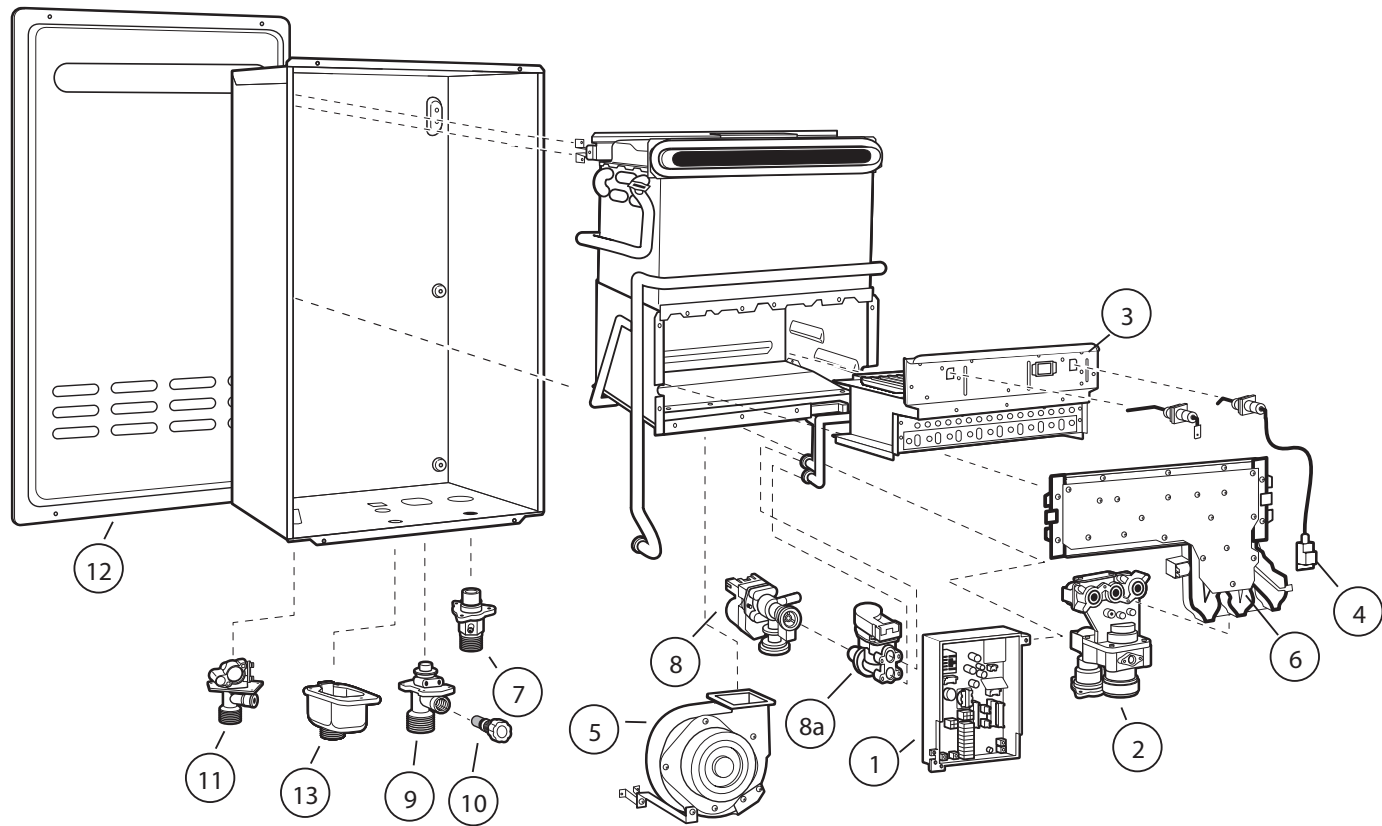
Fuel Type	RTG-64DV	RTG-84DV	RTG-95DV	RTG-64DVL	RTG-84DVL	RTG-95DVL
Natural	—	RTG20216A	RTG20214A	—	RTG20237A	RTG20236A
Propane	—	RTG20216B	RTG20214B	—	RTG20237B	RTG20236B

Parts for RTG-64, RTG-84, RTG-95, DV and DVL Series (out of production)

Ref #	Rheem Part #	Description	RTG-64DV	RTG-84DV	RTG-95DV	RTG-64DVL	RTG-84DVL	RTG-95DVL
1	RTG20212R	Control Board	•	•	•			
	RTG20235D	Control Board				•	•	•
	RTG20164R	Ambient Thermistor - Blue	•	•	•	•	•	•
	RTG20212BC	Heat Exchanger Thermistor - Yellow	•	•	•	•	•	•
	RTG20006AR	Inlet Thermistor - White	•	•	•	•	•	•
	RTG20006BB	Outlet Thermistor - Black	•	•	•	•	•	•
	RTG20239M	Thermistor Wiring Harness	•	•	•	•	•	•
2	RTG20212C	Gas Valve Assy	•	•	•	•	•	•
3	RTG20212D	Burner Assembly	•	•	•	•	•	•
6	RTG20212E	Burner Manifold - NAT	•	•	•			
	RTG20235A	Burner Manifold - NAT				•	•	•
6	RTG20212F	Burner Manifold - LP	•	•	•			
	RTG20235B	Burner Manifold - LP				•	•	•
	RTG20212BE	Flame Rod "FL1" (Right) w/gasket	•	•	•	•	•	•
	RTG20212J	Gas Control Resistor	•	•	•	•	•	•
	RTG20212BG	Flame Rod "Sensor" (Left) w/gasket	•	•	•	•	•	•
	RTG20212N	Flame Rod Wire (Blue)	•	•	•	•	•	•
	RTG20212P	Flame Rod Wire (White)	•	•	•	•	•	•
4	RTG20235C	Igniter Coil	•	•	•	•	•	•
	RTG20212BD	Igniter Rod (Right) w/gasket	•	•	•	•	•	•
5	RTG20212K	Blower Motor	•	•	•	•	•	•
	RTG20212L	Blower Case	•	•	•	•	•	•
7	RTG20164K	Gas Inlet Connector 3/4"	•	•	•	•	•	•
8	RTG20164L	Water Control Valve	•	•	•	•	•	•
8a	RTG20235X	Water Bypass Valve	•	•	•	•	•	•
9	RTG20164J	Water Inlet Connector 3/4"	•	•	•	•	•	•
10	RTG20164AK	Inlet Water Filter	•	•	•	•	•	•
11	RTG20074CE	Hot Water Outlet Connector 3/4"	•	•	•	•	•	•
12	RTG20212BA	Front Cover - No Labels or Branding	•	•	•	•	•	•
13	RTG20212U	Remote Control Terminal	•	•	•	•	•	•
	RTG20164AA	Remote Control Terminal Block	•	•	•	•	•	•
	RTG20006AV	Drain Plug with Relief	•	•	•	•	•	•
	RTG20212A	Top Mounting Bracket	•	•	•	•	•	•
	RTG20212B	Bottom Mounting Bracket	•	•	•	•	•	•
	RTG20164AB	Screw Pan FT 4X12	•	•	•	•	•	•
14	RTG20212BB	Concentric Vent Connector Assembly	•	•	•	•	•	•
	AP20796	Gas Shutoff Valve 3/4"	•	•	•	•	•	•
	RTG20186	Replacement Screw Kit	•	•	•	•	•	•
	RTG20206	Replacement O-Ring Kit	•	•	•	•	•	•
	RTG20212N	Generic Flame Rod Wires						
	RTG20212BH	Flame Rod Gaskets						
	RTG20006CH	Power Cord						
	RTG20239BD	10 Amp Fuse						
	RTG20239L	GCV/Igniter Coil Wiring Harness						
	RTG20212J	GCV Resistor						

See Pages 6 - 14 for Accessories, Manifold Systems, and Venting Options.

Parts for RTG-64, RTG-84, RTG-95, X and XL Series (out of production)



Program Chips

Fuel Type	RTG-64X	RTG-84X	RTG-95X	RTG-64XL	RTG-84XL	RTG-95XL
Natural	RTG20212AE	RTG20212AN	RTG20212AX	RTG20235R	RTG20235L	RTG20235G
Propane	RTG20212AH	RTG20212AP	RTG20212AY	RTG20235S	RTG20235M	RTG20235H

185°F Temperature Upgrade Kits - Commercial and Hydronic

Fuel Type	RTG-64X	RTG-84X	RTG-95X	RTG-64XL	RTG-84XL	RTG-95XL
Natural	—	RTG20216C	RTG20214C	—	RTG20237C	RTG20236C
Propane	—	RTG20216D	RTG20214D	—	RTG20237D	RTG20236D

Parts for RTG-64, RTG-84, RTG-95, X and XL Series (out of production)

Ref #	Rheem Part #	Description	RTG-64X	RTG-84X	RTG-95X	RTG-64XL	RTG-84XL	RTG-95XL
1	RTG20212AD	Control Board	•	•	•			
	RTG20235D	Control Board				•	•	•
	RTG20212BC	Heat Exchanger Thermistor - Yellow	•	•	•	•	•	•
	RTG20006BB	Outlet Thermistor - Black	•	•	•	•	•	•
	RTG20006AR	Inlet Thermistor - White	•	•	•	•	•	•
	RTG20006UW	Ambient Thermistor - Blue	•	•	•	•	•	•
	RTG20239M	Thermistor Wiring Harness	•	•	•	•	•	•
2	RTG20212V	Gas Valve Assy	•	•	•	•	•	•
	RTG20212J	Gas Control Resister	•	•	•	•	•	•
3	RTG20212W	Burner Assembly	•	•	•	•	•	•
	RTG20212BE	Flame Rod "FL" (Right) w/gasket	•	•	•	•	•	•
	RTG20212BD	Igniter Rod (Right) w/gasket	•	•	•	•	•	•
	RTG20212P	Flame Rod Connector (White)	•	•	•	•	•	•
4	RTG20235C	Igniter Coil	•	•	•	•	•	
5	RTG20212AB	Blower Motor	•	•	•	•	•	
	RTG20212AC	Blower Case	•	•	•	•	•	
6	RTG20212X	Burner Manifold - NAT	•	•	•			
	RTG20235A	Burner Manifold - NAT				•	•	•
	RTG20212F	Burner Manifold - LP	•	•	•			
	RTG20235B	Burner Manifold - LP				•	•	•
7	RTG20164K	Gas Inlet Connector ¾"	•	•	•	•	•	
8	RTG20164L	Water Control Valve	•	•	•	•	•	
8a	RTG20235X	Water Bypass Valve	•	•	•	•	•	
9	RTG20164J	Water Inlet Connector ¾"	•	•	•	•	•	
	RTG20006AV	Drain Plug with Relief	•	•	•	•	•	
10	RTG20164AK	Inlet Water Filter	•	•	•	•	•	
11	RTG20074CE	Hot Water Outlet Connector ¾"	•	•	•	•	•	
12	RTG20212AZ	Front Cover - No Labels or Branding	•	•	•	•	•	
	AP20796	Gas Shutoff Valve ¾"	•	•	•	•	•	
	RTG20186	Replacement Screw Kit	•	•	•	•	•	
	RTG20206	Replacement O-Ring Kit	•	•	•	•	•	
	RTG20212U	Remote Control Terminal	•	•	•	•	•	
	RTG20164AA	Remote Control Terminal Block	•	•	•	•	•	
	RTG20164AB	Screw Pan FT 4X12	•	•	•	•	•	
	RTG20212BH	Flame Rod Gaskets	•	•	•	•	•	
	RTG20006CH	Power Cord	•	•	•	•	•	
	RTG20239BD	10 Amp Fuse	•	•	•	•	•	
RTG20239L	GCV/Igniter Coil wiring harness	•	•	•	•	•		
RTG20223V	GCV/Fuse wiring harness	•	•	•	•	•		

See Pages 6 - 14 for Accessories, Manifold Systems, and Venting Options.



Rheem helps you give your customers the **value**, **performance** and **features** they want. From our tried and true tank-type water heaters to our space-saving tankless solutions that provide continuous hot water, Rheem has something to **satisfy the budgets** and lifestyles of every customer.

In addition to our large selection of **water heating solutions**, Rheem also has a full line of **heating and cooling** products, parts and accessories for warm winter nights, cool summer days and hot water all year long.



The new degree of comfort.®

In keeping with its policy of continuous progress and improvement, Rheem reserves the right to make changes without notice.

Rheem Replacement Parts • 4744 Island Ford Road
Randleman, NC 27317 • Customer Service: 800-621-5622
www.rheemparts.com



INTEGRATED HOME COMFORT

Rheem.com
PRINTED IN USA 09/23 TKPP-101 Rev 10