



### **WARNING**

If the information in these instructions is not followed exactly, a fire or explosion could result causing property damage, personal injury, or death.

- Do not store or use gasoline or other flammable vapors and liquids in the vicinity of this or any other appliance.

#### **WHAT TO DO IF YOU SMELL GAS**

- Do not try to light any appliance.
- Do not touch any electrical switch; do not use any phone in your building.
- Immediately call your gas supplier from a neighbor's phone. Follow the gas supplier's instructions.
- If you cannot reach your gas supplier, call the fire department.
- Installation and service must be performed by a qualified installer, service agency, or the gas supplier.

### **AVERTISSEMENT**

Assurez-vous de bien suivre les instructions données dans cette notice pour réduire au minimum le risque d'incendie ou d'explosion ou pour éviter tout dommage matériel, toute blessure ou la mort.

- Ne pas entreposer ni utiliser d'essence ou ni d'autres vapeurs ou liquides inflammables à proximité de cet appareil ou de tout autre appareil.

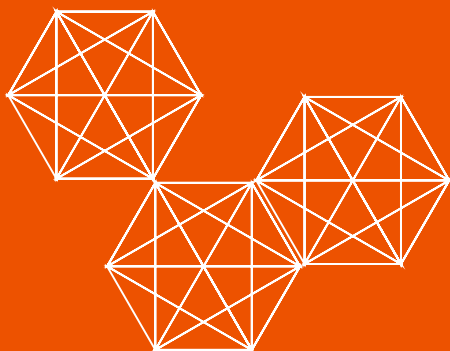
#### **QUE FAIRE SI VOUS SENTEZ UNE ODEUR DE GAZ**

- Ne pas tenter d'allumer d'appareil.
- Ne touchez à aucun interrupteur; ne pas vous servir des téléphones se trouvant dans le bâtiment.
- Appelez immédiatement votre fournisseur de gaz depuis un voisin. Suivez les instructions du fournisseur.
- Si vous ne pouvez rejoindre le fournisseur, appelez le service des incendies.
- L'installation et l'entretien doivent être assurés par un installateur ou un service d'entretien qualifié ou par le fournisseur de gaz.

## Operation & Installation Manual

# iN401

# iN501



*Thank you for purchasing this Intellihot unit.*

*This unit is designed for years of trouble free operation, and I urge you to read and follow the instructions in this "Operation & Installation Manual."*

*Our mission to create a better heating system began back in the winter of 2005 when a tank water heater broke down and flooded my basement. By combining the principles of a diesel engine's robustness, robotics intelligence, and marine environment durability, we set out to design a unit from the ground up that would outperform and outlast all others.*

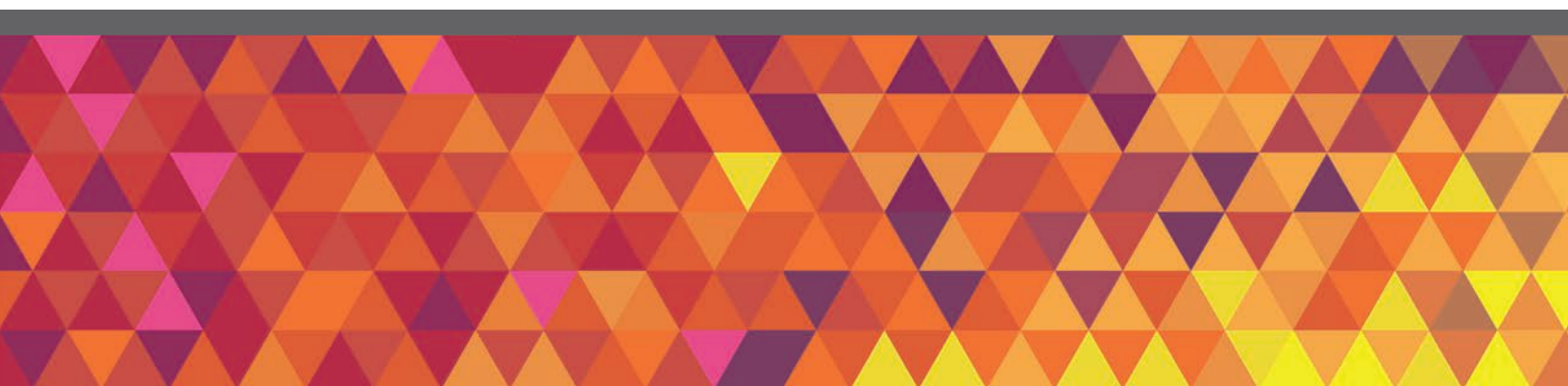
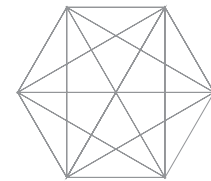
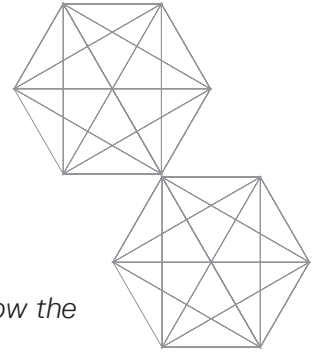
*Quickly, our goal grew from not just making a better water heater, but creating an intelligent water heating and delivery system. Innovation is our hallmark and simplicity, efficiency, and durability are at the core of every Intellihot product.*

*Our products are proudly engineered and built in Galesburg, Illinois. Intellihot has helped commercial customers throughout the nation save thousands of dollars while eliminating downtime. Our talented team of dedicated professionals is ready to assist you and help your business succeed.*

*I thank you for purchasing our Intellihot products.*

*Sincerely,*

*Sri Deivasigamani  
CEO, Intellihot Inc.*



# Table of Contents

---

<b>1. General Information</b>	
1.1 Items Shipped With Water Heater . . . . .	2
1.2 Serial Number Locations . . . . .	2
<b>2. Safety</b>	
2.1 Safety Signal Words . . . . .	3
2.2 Installation Warnings . . . . .	3
<b>3. Technical Specifications</b>	
3.1 Specifications Chart . . . . .	5
3.2 Nomenclature . . . . .	6
3.3 High Elevation Installations . . . . .	6
3.4 Connection Specifications . . . . .	7
3.5 Exhaust Gas Standards . . . . .	7
3.6 Overall Dimensions . . . . .	8
3.7 Configuration Options . . . . .	9
<b>4. Quick Reference Installation Guide</b>	
4.1 Install the Water Heater . . . . .	11
4.2 Pre-Startup Instructions . . . . .	11
<b>5. Preparation Before Installation</b>	
5.1 Selecting an Indoor Installation Site . . . . .	13
<b>6. Gas Connection</b>	
6.1 Quick Reference Installation Instructions . .	14
6.2 Fuel Source . . . . .	14
6.3 Gas Pressure Requirements . . . . .	14
6.4 Gas Pressure Regulator . . . . .	14
6.4.1 Venting of Gas Supply Regulators . .	15
6.5 Length of Gas Supply Line . . . . .	15
6.6 Gas Piping Material . . . . .	15
6.7 Determine Correct Gas Pipe Diameter . . . .	15
6.8 Gas Pipe Drip and Shut-off Valve . . . . .	15
6.9 Connecting Gas Line to Unit . . . . .	16
6.10 Gas Pipe Sizing Tables . . . . .	17
<b>7. Air Intake Inlet and Exhaust Gas Outlet Pipe Connections</b>	
7.1 Quick Reference Installation Guide . . . . .	19
7.2 Typical Single Unit Air Intake Inlet and Exhaust Gas Outlet Pipe Installation . . . . .	19
7.3 Two Pipe Vent System (Direct Vent) . . . . .	20
7.3.1 Single Unit Configurations . . . . .	20
7.3.2 Multiple Units Configurations . . . . .	21
7.3.3 Side Wall Air Intake Inlet and Exhaust Gas Outlet Pipe Termination . . . . .	21
7.3.4 Roof Air Intake Inlet and Exhaust Gas Outlet Pipe Termination . . . . .	22
7.4 Single Pipe Venting System (Power Vent) . .	22
7.4.1 Single Unit . . . . .	22
7.4.2 Multiple Units . . . . .	23
7.5 Combustion Air Requirements . . . . .	24
7.6 Intake Air Inlet and Exhaust Gas Outlet Pipe Diameter and Length . . . . .	24
7.7 Venting Clearance Specifications . . . . .	25
7.8 Exhaust Gas Outlet Pipe Materials . . . . .	26
7.9 Air Intake Inlet Pipe Vent Materials . . . . .	26
7.10 Recommended Exhaust Gas Outlet Pipe Transitions . . . . .	27
<b>8. Water Connections</b>	
8.1 Quick Reference Installation Instructions . . .	28
8.2 Hot Water Connection . . . . .	28
8.3 Cold Water Connection . . . . .	29
8.4 Condensate Drain Line . . . . .	29
<b>9. Electrical Power</b>	
9.1 Electrical Recommendations . . . . .	30
9.2 Connection Instructions . . . . .	30
<b>10. Adjusting CO<sub>2</sub> Level</b>	
10.1 General Information . . . . .	31
10.2 Adjustment Procedure . . . . .	31
<b>11. Natural Gas to Propane Conversion</b>	
11.1 General Information . . . . .	34
11.2 Conversion Procedure . . . . .	34
<b>12. Operation</b>	
12.1 Control Panel . . . . .	36
12.2 Turning Water Heater ON and OFF . . . . .	36
12.3 Setting the Time . . . . .	37
12.4 Adjusting the Water Temperature . . . . .	37
12.5 Security . . . . .	38
12.5.1 Setting Passcode Protection . . . . .	38
12.5.2 Changing Passcode . . . . .	39
12.5.3 Forgot Passcode . . . . .	40
12.6 N/A . . . . .	40
12.7 Temp / Flow . . . . .	40
12.8 Life Screen . . . . .	41
12.9 Unit Information . . . . .	42
12.10 More Screens . . . . .	43
12.10.1 Cellular . . . . .	43
12.10.2 Error History . . . . .	43
12.10.3 telliCare Service (Subscribe at Startup) . . . . .	44
<b>13. Connecting Multiple Units</b>	
13.1 General Information . . . . .	47
13.2 Installation Procedure . . . . .	47
13.2.1 telliCare for Multiple Units . . . . .	48
13.3 Venting for multiple Units . . . . .	49
<b>14. Maintenance</b>	
14.1 Maintenance-Free Circulation Pump . . . . .	49
14.2 Heat Engine Locations . . . . .	49
14.3 Condensate Sediment Cup Cleaning . . . . .	50
14.4 Wye Strainer . . . . .	50
<b>15. Wiring Diagrams and Troubleshooting</b>	
15.1 Operational Flow Chart . . . . .	51
15.2 Complete Wiring Diagram (all models) . . . .	52
15.3 Troubleshooting Guide . . . . .	54
<b>16. Serviceable Parts</b> . . . . .	59
<b>17. Requirements for State of Massachusetts</b>	
17.1 Notice Before Installation . . . . .	67
<b>18. Warranty</b>	
18.1 Warranty . . . . .	68
<b>19. Product Warranty</b>	
19.1 Warranty . . . . .	70



## **WARNING**

If the information in these instructions is not followed exactly, a fire or explosion could result causing property damage, personal injury, or death.

- Do not store or use gasoline or other flammable vapors and liquids in the vicinity of this or any other appliance.

### **WHAT TO DO IF YOU SMELL GAS**

- Do not try to light any appliance.
  - Do not touch any electrical switch; do not use any phone in your building.
  - Immediately call your gas supplier from a neighbor's phone. Follow the gas supplier's instructions.
  - If you cannot reach your gas supplier, call the fire department.
- Installation and service must be performed by a qualified installer, service agency, or the gas supplier.

## **AVERTISSEMENT**

Assurez-vous de bien suivre les instructions données dans cette notice pour réduire au minimum le risque d'incendie ou d'explosion ou pour éviter tout dommage matériel, toute blessure ou la mort.

- Ne pas entreposer ni utiliser d'essence ou ni d'autres vapeurs ou liquides inflammables à proximité de cet appareil ou de tout autre appareil.

### **QUE FAIRE SI VOUS SENTEZ UNE ODEUR DE GAZ**

- Ne pas tenter d'allumer d'appareil.
  - Ne touchez à aucun interrupteur; ne pas vous servir des téléphones se trouvant dans le bâtiment.
  - Appelez immédiatement votre fournisseur de gaz depuis un voisin. Suivez les instructions du fournisseur.
  - Si vous ne pouvez rejoindre le fournisseur, appelez le service des incendies.
- L'installation et l'entretien doivent être assurés par un installateur ou un service d'entretien qualifié ou par le fournisseur de gaz.

This product complies with ANSI Z21.10.3 (2011) / CSA 4.3 Gas Water Heater. For use as potable water heating.



## **DANGER**



**To avoid product damage, personal injury, or even possible death, carefully read, understand, and follow all the instructions in this Operation and Installation manual before installing this product. Improper installation, adjustment, alteration, or maintenance can cause injury, loss of life, and/or property damage. This water heater should be installed and serviced by a qualified technician. The lack of proper service can result in a dangerous condition.**

Due to Intellihot's policy of continuous product improvement and technology, the design and/or technical specifications in this manual are subject to change without notice.

This manual contains safety information, installation instructions, and maintenance procedures. It must be left with the homeowner or placed near the water heater in a noncombustible location. The customer should retain this manual for future reference.

### **Contact Information**

Call us, your dealer, first if you have any questions about this product. We can help answer questions about installation, operation, or if there are damaged or missing parts when unpacking this unit from the shipping box.

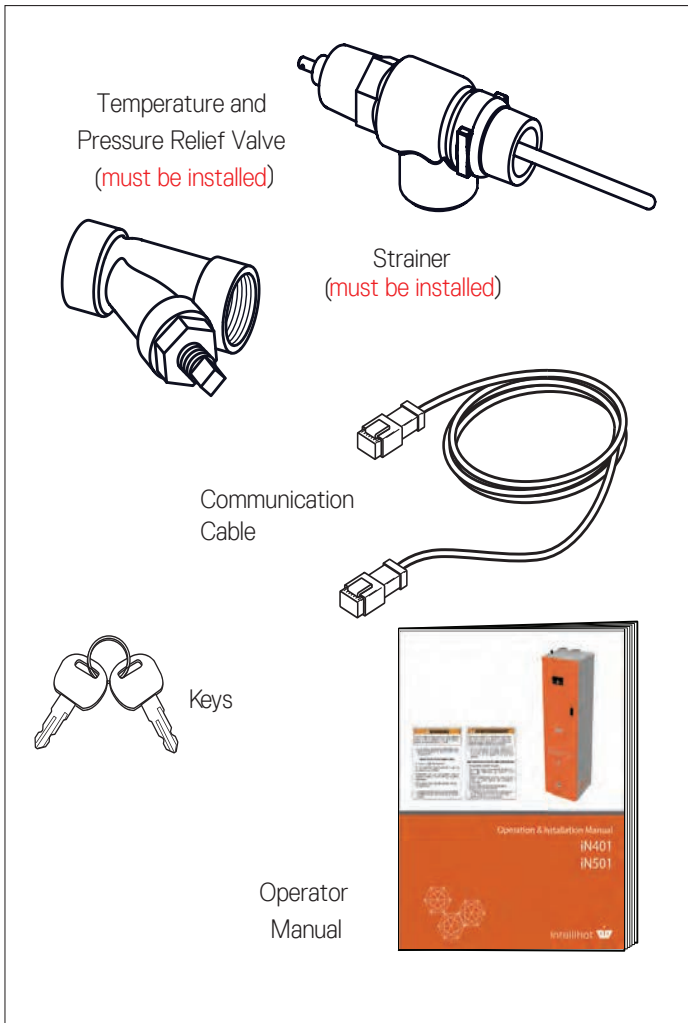


Dealer Contact Information

# 1. General Information

## 1.1 Items Shipped With Water Heater

The shown in the illustration are shipped loose with the water heater.



## 1.2 Serial Number Locations

The unit's serial number is located on the left side of the unit. Please provide this serial number when inquiring about service or warranty solutions. ASME detail is located on the information plate attached to the cabinet next to the rating label on the left side.

Unit Serial Number: \_\_\_\_\_

Heat Engine 1 (ASME) Serial Number: \_\_\_\_\_

Heat Engine 2 (ASME) Serial Number: \_\_\_\_\_

Date of Installation: \_\_\_ / \_\_\_ / \_\_\_\_\_

## 2. Safety

### 2.1 Safety Signal Words

#### **DANGER**

Indicates an imminently hazardous situation which, if not avoided, will result in death or serious injury. This signal word is limited to the most extreme situations.

#### **WARNING**

Indicates a potentially hazardous situation which, if not avoided, could result in death or serious injury.

#### **CAUTION**

Indicates a potentially hazardous situation which, if not avoided, may result in minor or moderate injury.

#### **NOTICE**

Indicates that equipment or property damage can result if instructions are not followed.

#### **SAFETY INSTRUCTIONS**

Safety instructions (or equivalent) signs indicate specific safety-related instructions or procedures.

**Note:** Contains additional information important to a procedure.

### 2.2 Installation Warnings

#### **WARNING**

**DO NOT use this water heater for any purpose other than water heating.**

Read, understand, and follow the Installation and Operation manuals, including all warnings and precautions, before operating this water heater. If you do not follow these instructions exactly, a fire or explosion may result, causing property damage, personal injury, or loss of life.

Follow all local codes and the most recent edition of the National Fuel Gas Code (ANSI Z223.1/NFPA 54) in the USA or the Natural Gas and Propane Installation Code in Canada (CSA B149.1).

This water heater must be installed by a licensed plumber, gas fitter, and/or professional service technician. Installation by unqualified person(s) voids the warranty.

Designed for operations at outlet temperature(s) not in excess of 190°F (88°C).

#### **DANGER**

A. This water heater does not have a pilot. It is equipped with an ignition device which automatically lights the burner. Do not try to light the burner manually.

B. **BEFORE OPERATING**, smell all around the water heater area for gas. Be sure to smell next to the floor because some gas is heavier than air and will settle on the floor.

#### WHAT TO DO IF YOU SMELL GAS:

- Do not try to light any appliance.
- Do not touch any electric switch; do not use any phone in your building.
- Immediately call your gas supplier from a neighbor's phone. Follow the gas supplier's instructions.
- If you cannot reach your gas supplier, call the fire or police department.

C. Use only your hand to turn the manual gas shut-off valve. Never use tools. If manual gas shut-off valve will not turn by hand, don't try to repair it. Call a qualified service technician. Force or attempted repair may result in a fire or explosion.

#### **WARNING**

**DO NOT use or store flammable liquids around the water heater, including gasoline, oils, spray paints, etc.**

**DO NOT operate this water heater unless it is properly vented to the outside (the exhaust vent piping must be connected from the unit directly to the outside). Improper venting can cause a build-up of carbon monoxide, which can result in brain damage or death. Exhaust gases must be completely expelled out of the building.**

This water heater is factory preset for NATURAL GAS but may be field converted for use with propane. For propane conversion, refer to the Propane (LPG) Conversion section of this manual. Connecting the water heater to any other gas supply can result in property damage, serious injury, or even death.

This water heater is suitable for use in potable water heating applications. The cold and hot water fittings on the top of the water heater **MUST NOT** be connected to any heating system.

The water heater temperature is factory set to 120°F (49°C). Hot water temperatures above 125°F can cause severe burns instantly or death from scalds. If the proposed water heater outlet temperature is to be set above 125°F, installation of a thermostatically controlled (or temperature limiting) mixing valve is recommended for all hot water going to faucets to avoid the risk of scalding. Examples include commercial applications where 140°F (60°C) is often needed or if the space heating temperature required is higher than the domestic hot water. Always check the temperature of the hot water before bathing, showering, washing, etc.

Protect against snow and debris accumulation around the vent terminations. Regularly inspect the exhaust vent pipe and the air intake pipe to ensure they remain clear from obstructions at all times.

## **⚠ CAUTION**

Make sure you know the location of the gas shut-off valve and how to operate it. Immediately close the gas shut-off valve if the water heater is subjected to fire, overheating, flood, physical damage, or any other damaging condition that might affect the operation of the unit. Have the water heater checked by a qualified technician before resuming operation.

---

If the water quality is known to have high acidity and/or high hardness, water treatment is recommended. Consult the local water authority.

---

## **SAFETY INSTRUCTIONS**

**DO NOT** use this appliance if any part has been under water.

---

**DO NOT** reverse the cold water and gas connections as this will damage the gas valve.

---

**DO NOT** overtighten fittings as damage may occur, causing internal leakage.

---

The appliance should be located in an area where leakage within the unit or at its connections will not result in damage to the surrounding area. The manufacturer will not be responsible for any damage resulting from leaking if adequate drainage is not provided.

---

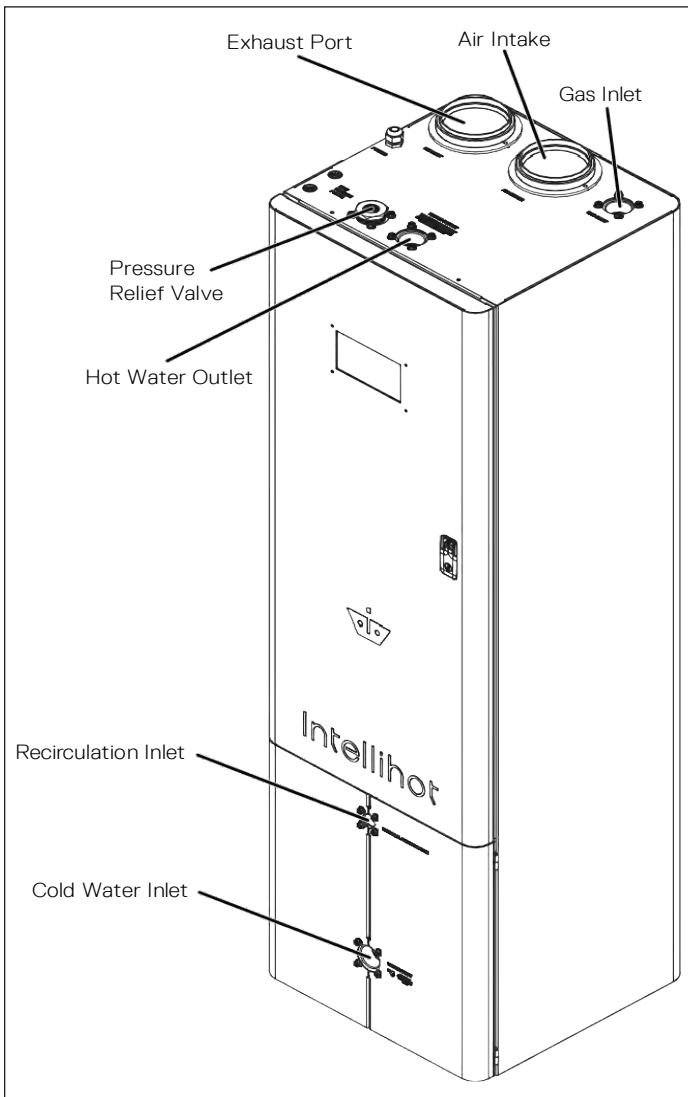


### 3. Technical Specifications

#### 3.1 Specifications Chart

Technical Data	Specification	
	iN401	iN501
Type	Indoor, Floor-Mounted	
Fuel	Preset for natural gas but convertible to propane	
Minimum Input (BTUs/hour)	30,000	
Maximum Input (BTUs/hour)	399,999	499,999
Maximum Output (BTUs/hour)	383,999	479,999
Thermal Efficiency	96%	
Turn Down Ratio (TDR)	13.3:1	16.7:1
Water Inlet / Outlet Connection	1-1/2" NPT	
Gas Inlet Connection	1-1/2" NPT	
Condensate Drain Connection	3/4" PVC	
Maximum Condensate Flow Rate (GPM)	2.8	3.6
Unit dimensions H X W X D (inches)	67.5 X 20 X 20 (15.6 cu. ft)	
Service Clearances	4" on the back, 6" on the top, 21" on the front, and 6" on the sides	
Unit weight (lbs.)	345	
Shipping Crate Dimensions H X W X D / Weight	85 X 29.5 X 27 (Inches) / 445 (LBS)	
Venting Type	Direct Vent (2 pipe – air intake and exhaust gas outlet), Power Vent (1 pipe – exhaust gas only)	
Venting Materials (USA)	Sch. 40 PVC, Sch. 80 CPVC, Polypropylene, Stainless Steel (AL29-4C)	
Venting Materials (Canada)	Type BH Gas Vent Classes: II A (PVC), II B (CPVC), II C (Polypropylene), I (AL294C SS)	
Venting Size (Diameter)	4"	
Max 4" Vent Length – Single Pipe/Power Vent	250' *	180' *
Max 4" Vent Length – Two Pipe / Direct Vent	125' *	90' *
* Venting Note: From the maximum length above, deduct 5 ft. per 90° elbow and 2 ft. per 45° elbow.		
Ignition	Electronic Spark Ignition	
Temperature Range	100°F – 190°F	
Temperature Stability	+/- 4°F	
Installation Location Ambient Temperature	40°F – 130°F	
Safety	Flame Rod, Thermal Fuse, Overheat Prevention Device, Fan Speed Monitor, Flue Temperature Monitor, Blocked Vent Detector, Dual Flame Sensing	
Water Pressure Min / Max (PSI)	30/160	
NG/LP - Min. Gas Pressure (Full Fire)	2.5" WC (set Gas regulator to 8" WC for NG 11" WC for LP)	
NG/LP - Maximum Static Gas Pressure	14" WC (set Gas regulator to 8" WC for NG 11" WC for LP)	
Gas Regulator Pressure set to	8" WC for Natural Gas, 11" WC for Propane	
Electrical	120V AC, 60 Hz	
Power Consumption	Max 9.5 Amps, 16W (Standby)	
Internal Water Volume (gallons)	1	
Features and Approvals	iN401	iN501
Built-In Redundancy	Multiple Heat Exchangers with Individual Control	
Cascading	Masterless, Automatic Rotation	
Common Venting	Yes, Up to 4 Units	
Heat Exchanger	Expandable, Stainless 316L	
Appliance Certification to ANSI Z21.10.3	ETL	
SCAGMD	Ultra Low Nox (under 20 PPM)	
ASME	HLW	
Performance	Specification	
Hot Water Output (45°F Rise)	17.1	21.4
Hot Water Output (70°F Rise)	11.0	13.8
Hot Water Output (90°F Rise)	8.6	10.7
Hot Water Output (100°F Rise)	7.7	9.6
Hot Water Output (140°F Rise)	5.5	6.9
Warranty	Heat Engine Coil – 10 years, All Other Parts – 2 years	
<b>Note:</b> Due to continuous product improvements, the design and technical specifications are subject to change without notice.		

### 3.2 Nomenclature

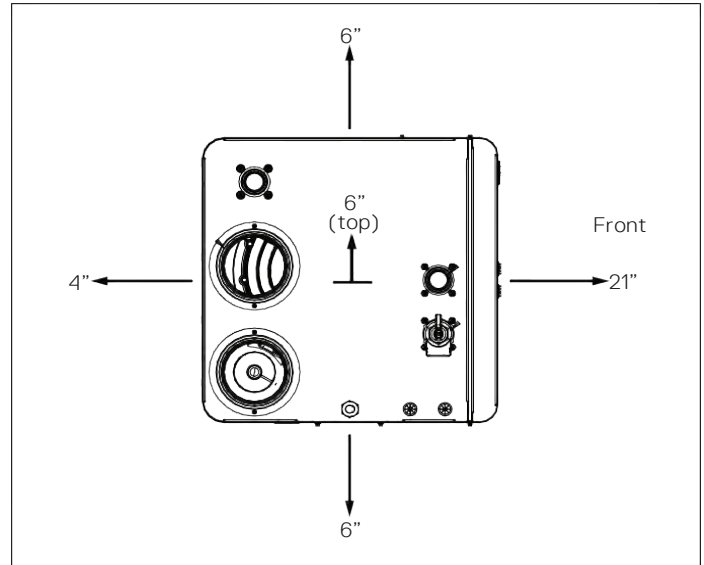


### 3.3 High Elevation Installations

For operation at elevations above 2,000 feet, the hot water delivery capacity should be reduced by 4% for each 1,000 feet above sea level.

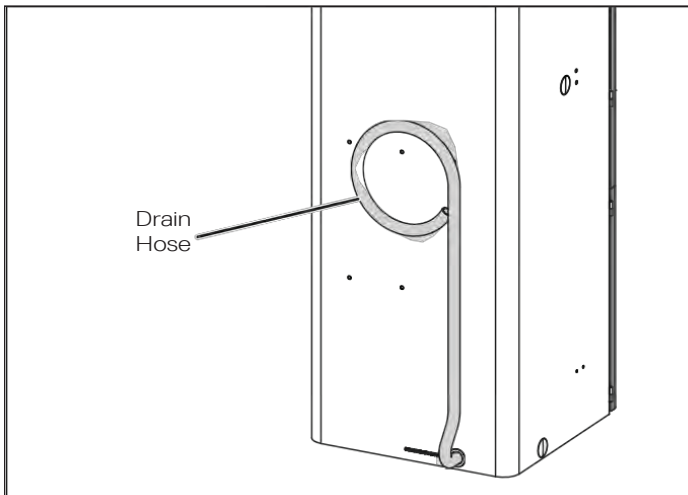
#### Clearance Requirements

In order for the water heater to operate properly and efficiently, the clearances specified in the table below are required.



## NOTICE

**Service Clearances:** If multiple units are installed, perform electrical connections first before making all other connections (gas, water, supply air, exhaust, and condensate). This will enable the above mentioned 1" side to side clearances.



Location	Required		Recommended Service Clearance <sup>1</sup>
	From Combustibles	From Non-Combustibles	
Top	6" (15 cm)	2" (51 cm)	6" (15 cm)
Back	5/8" (16 mm)	5/8" (16 mm)	4" (10 cm)
Sides	1" (25 mm)	1/2" (13 mm)	6" (15 cm)
Front	2" (5 cm)	2" (5 cm)	21" (53 cm)
Bottom	0" (0 mm)	0" (0 mm)	0" (0 mm)

<sup>1</sup> Service clearances are minimum recommended dimensions to allow for normal service of the unit.

### 3.4 Connection Specifications

Connections	
Description	Specification <sup>2</sup>
Gas Supply Inlet Connection	1-1/2" NPT
Water Supply Inlet Connection	1-1/2" NPT
Heated Water Outlet Connection	1-1/2" NPT
Exhaust Gas Vent <sup>1</sup>	4" Polypropylene
Air Intake Inlet <sup>1</sup>	4" Polypropylene
Condensate Drain Connection	3/4"
Power Supply	120V AC Power, 10 Amps

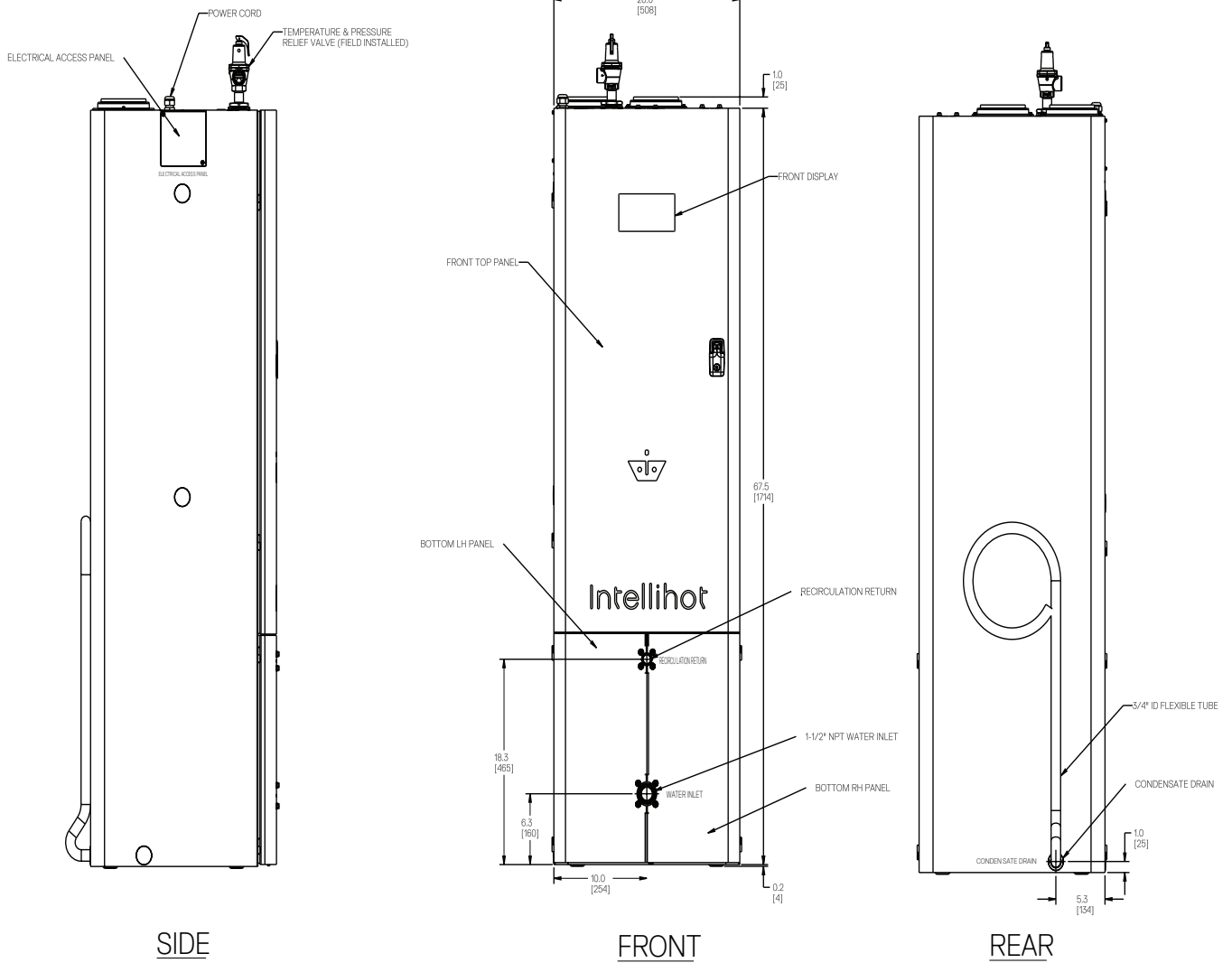
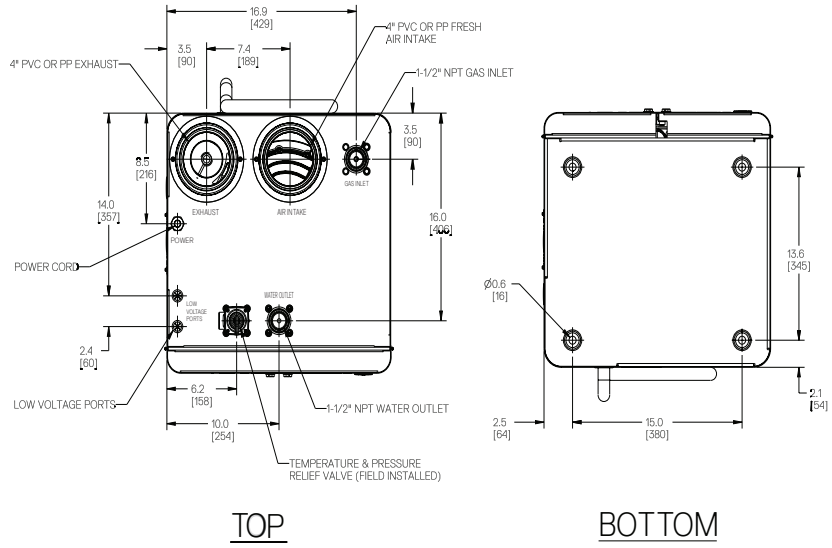
<sup>1</sup> Use the 4" adapter provided when using PVC or CPVC pipe.

<sup>2</sup> Using sizes other than specified can cause damage to the water heater and will void the warranty.

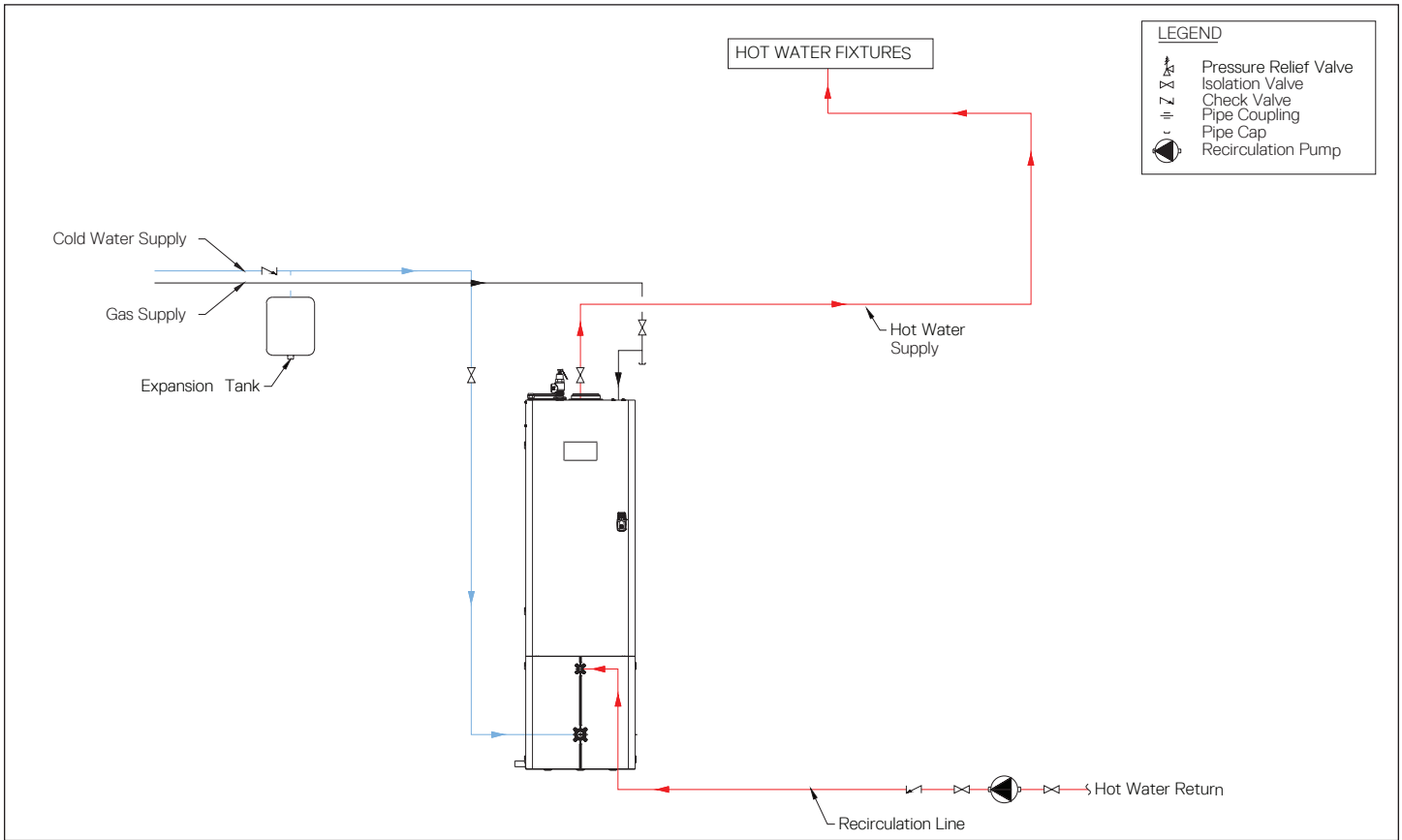
### 3.5 Exhaust Gas Standards

CO <sub>2</sub> and CO Standards		
Description	CO <sub>2</sub> Range (%)	Max. CO Level (ppm)
<b>Natural Gas</b>		
High Fire	9.1% to 9.3%	< 200 ppm
Low Fire	9.1% to 9.3%	< 60 ppm
<b>Propane Gas</b>		
High Fire	10.1% to 10.5%	< 200 ppm
Low Fire	10.1% to 10.5%	< 60 ppm

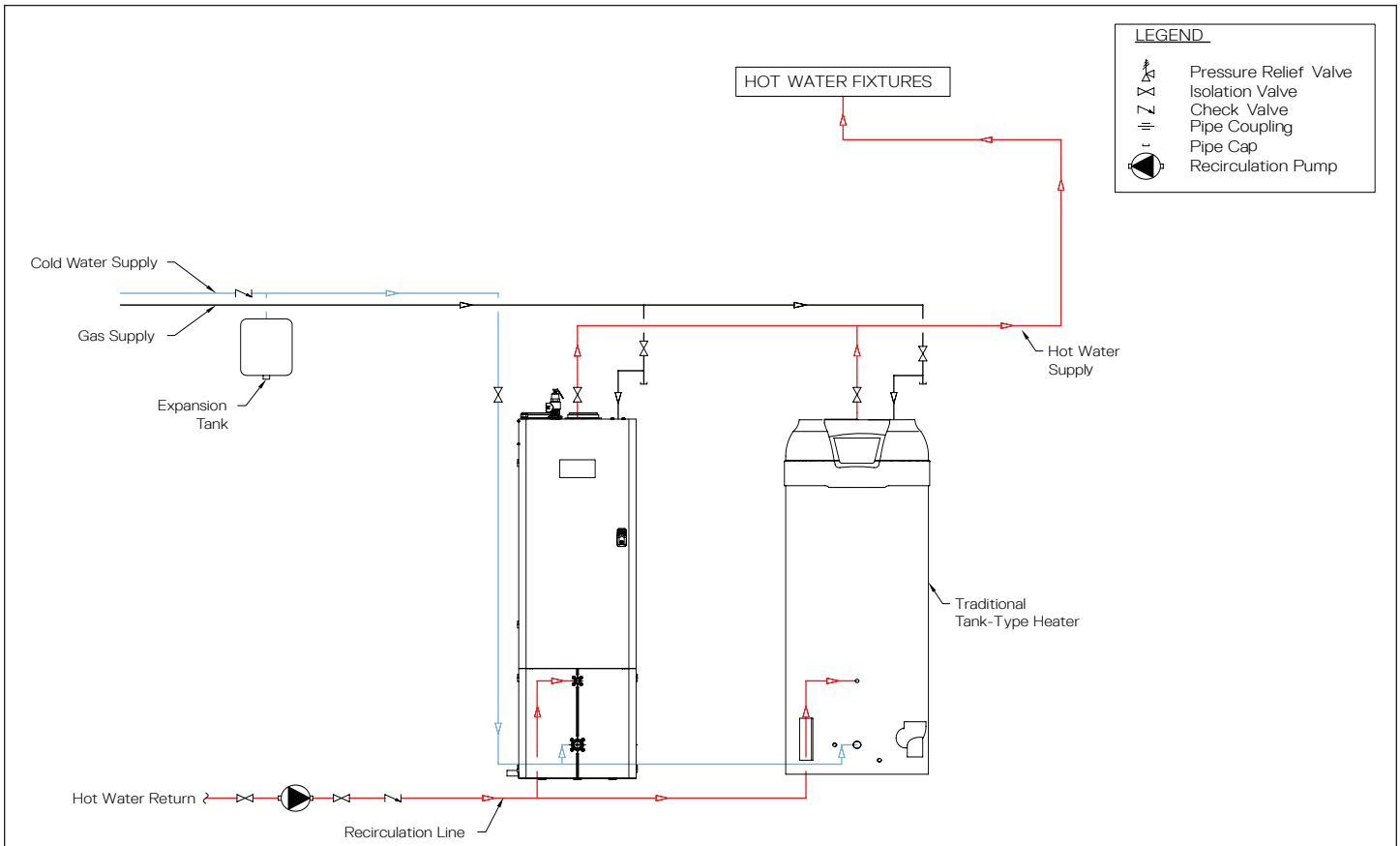
### 3.6 Overall Dimensions



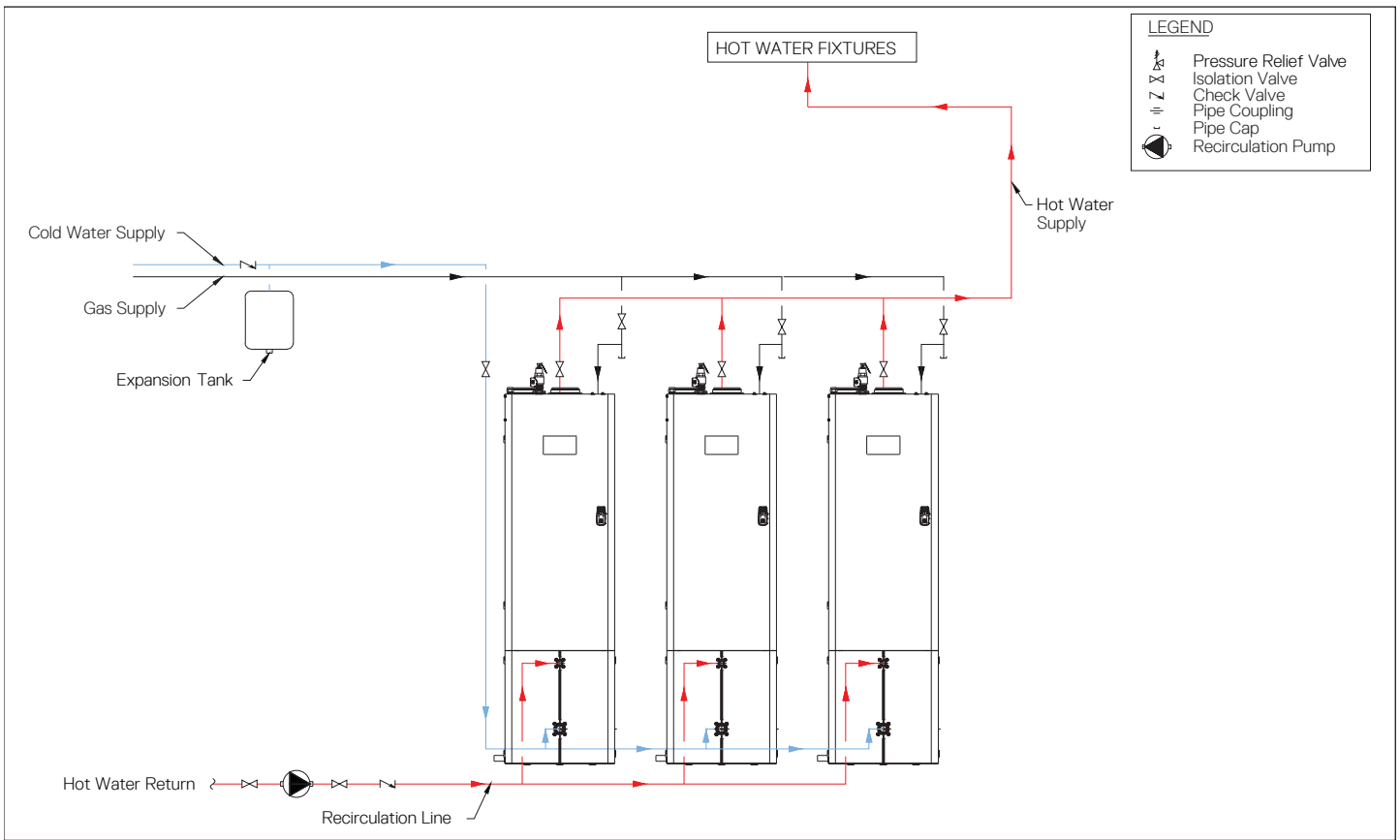
### 3.7 Configuration Options



System with no storage tank and without mixing valve.



Multiple unit system with mixing valve but no storage tank.



Multiple unit system with mixing valve but no storage tank.

## 4. Quick Reference Installation Guide

### 4.1 Install the Water Heater

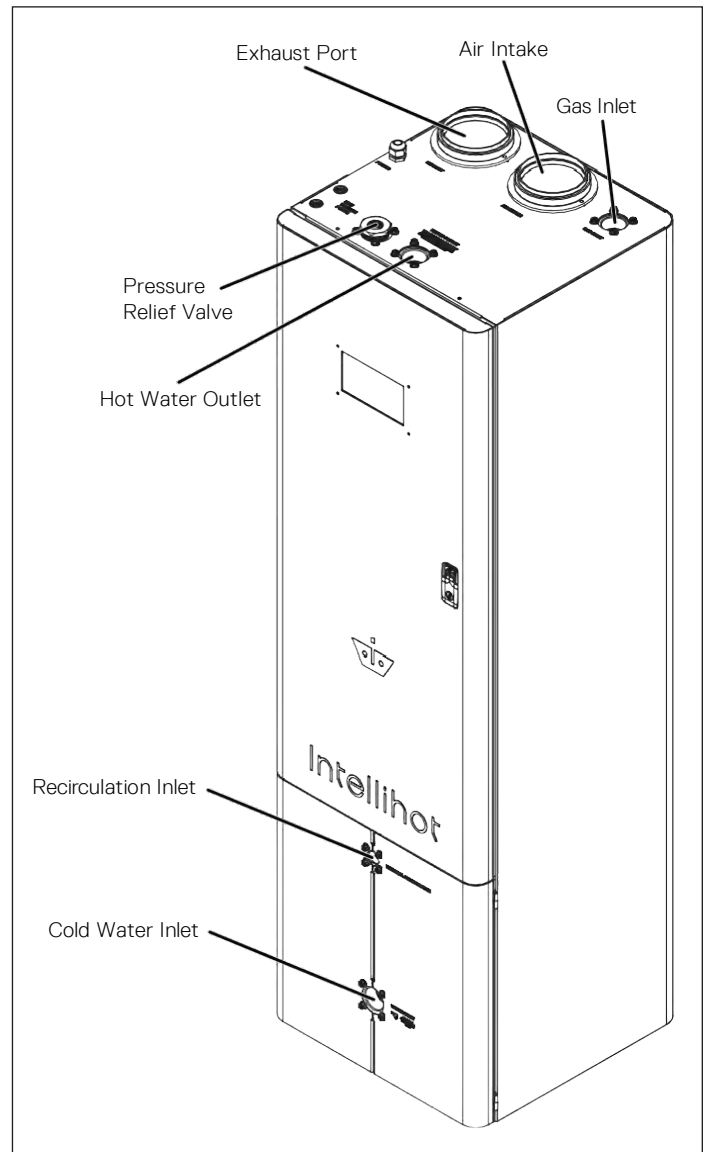
When installing the water heater, follow all local building codes and the current edition of the National Fuel Gas Code (ANSI Z223.1/NFPA 54) in the USA, or National Gas and Propane Installation Code (CAN/CGA B149.1) in Canada.

**Note:** For water heater installations in Massachusetts, refer to section, "17. Requirements for State of Massachusetts" on page 67.

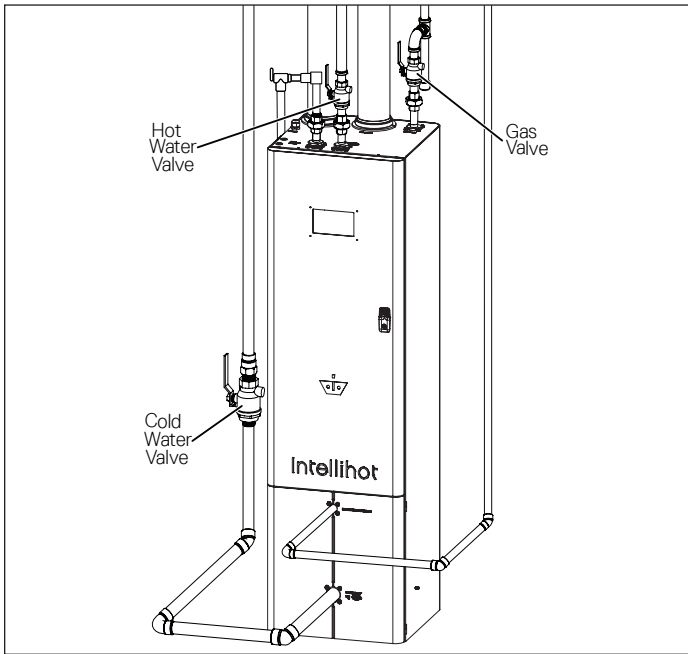
1. Select an installation location  
For an interior or exterior location refer to section "5. Preparation Before Installation" on page 13.
  2. Check the quality of the water to determine if additional treatment would be beneficial to the function and efficiency of the water heater. For additional information refer to section "5. Preparation Before Installation" on page 13.
  3. Make all necessary gas connections.  
For additional information refer to section "6. Gas Connection" on page 14.
  4. Make all necessary venting connections.  
For additional information refer to section "7. Air Intake Inlet and Exhaust Gas Outlet Pipe Connections" on page 19.
  5. Make all necessary water connections.  
For additional information refer to section "8. Water Connections" on page 28.
  6. Make all necessary electrical connections.  
"9. Electrical Power" on page 30.
- Note:** For additional electrical protection, the use of a surge protection device is recommended. Damage caused by power surges is not covered by the warranty.
7. If necessary, convert the water heater from the factory preset of using natural gas to using propane. Refer to "11. Natural Gas to Propane Conversion" on page 34 for the required instructions.
  8. As part of the propane conversion process, the CO<sub>2</sub> and CO values must be adjusted. This process is also required when installing the water heater at altitudes over 8,000 feet. This procedure should be performed only by a qualified technician. To check and/or adjust the CO<sub>2</sub> and CO levels, refer to "10. Adjusting CO<sub>2</sub> Level" on page 31.
  9. If connecting multiple units together, refer to "13. Connecting Multiple Units" on page 47.
  10. Fill out the Warranty Card and return it to Intellihot. For a copy of the card go to "19. Product Warranty" on page 70.

### 4.2 Pre-Startup Instructions

1. Recheck the hot and cold water lines, the gas line, condensate drain line, the fresh air inlet, and exhaust vent to make sure they are properly connected.

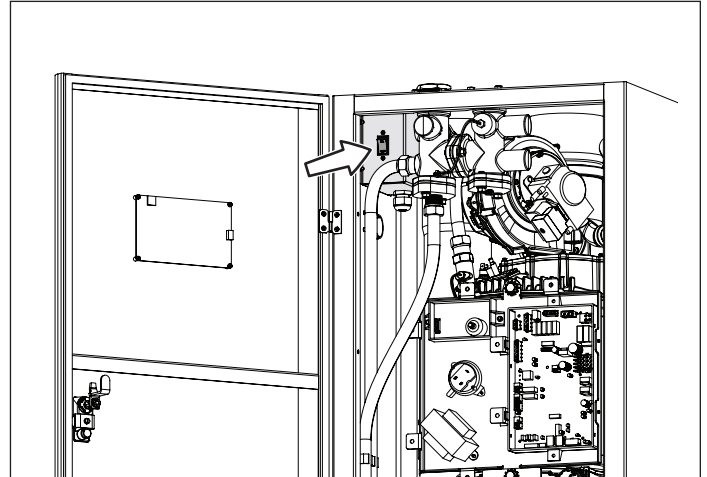


2. Open the gas supply valve, cold water valve, and hot water valve.



3. With the unit OFF, open a nearby hot water faucet and allow the water to run through the unit until all the air is removed from the water lines and from the water heater.
4. If multiple units are being installed, follow these instructions for each unit.

5. Turn ON the power switch at the electrical junction box and turn ON the ON/OFF switch inside the front cabinet door. The water heater's display panel should turn ON.



6. Follow the instructions in this manual and on the unit's display screen. For additional information refer to section "12. Operation" on page 36.



## 5. Preparation Before Installation

### 5.1 Selecting an Indoor Installation Site

**Note:** When installing the water heater, follow all local building codes and the current edition of the National Fuel Gas Code (ANSI Z223.1/NFPA 54) in the USA, or National Gas and Propane Installation Code (CAN/CGA B149.1) in Canada when installing this product.

**Note:** For water heater installations in Massachusetts, refer to section "17. Requirements for State of Massachusetts" on page 67.

1. Select an interior location for the installation. Each installation is unique; therefore, take the time to find the best location for the water heater.
  - a. Install the water heater near locations that use hot water, such as bathroom, kitchen, or laundry room faucets.
  - b. Select a location that minimizes the length of the water pipe.
  - c. If the distances are long or if the faucet or appliance requires "instant" hot water, we recommend running a recirculation line back to the water heater from the farthest fixture.
  - d. Insulate the hot water supply and recirculation lines.
  - e. Select a location away from foot traffic and away from areas where dust, debris, chemical agents, or other combustible materials could accumulate.
  - f. Allow sufficient space for service and maintenance access to all gas, water, and drain connections.
  - g. Make sure the location meets all building code requirements.
2. Minimize the distance that the exhaust gas outlet and air intake inlet must travel to an exterior wall.
  - a. The exhaust vent outlet must not be located next to a walkway, near soffit vents, crawl space vents, or other areas where condensate (water vapor) could cause damage or create a hazard. Refer to the Venting Clearance Specifications section for additional information.
  - b. The fresh air inlet vent must be separated from the exhaust vent per guidelines in section "7. Air Intake Inlet and Exhaust Gas Outlet Pipe Connections" on page 19.
  - c. Contaminated or dirty air drawn into the intake pipe can damage the water heater. The warranty does not cover damage caused by airborne contaminants.

3. Locate the unit close to a drain and near gas and water connections.

The water heater produces a significant amount of condensate during normal operation and should be located near a suitable drain where damage from a possible leak will be minimal. Installing the water heater in a location without a drain will void the warranty and the manufacturer will not be responsible for any resulting water damages that may occur. For additional information, refer to the Condensate Line Installation section.

4. Locate the water heater and all the water pipes in an area where the ambient temperature always remains above freezing.
  - a. When the water heater is connected to an electrical power supply, it will automatically prevent the water from freezing inside the unit.
  - b. The unit's freeze protection system will not prevent the water in the external piping from freezing.

### NOTICE

***In cold climates, if there is a power failure, the unit's freeze protection system will not operate and can result in water freezing inside the heat engine. To prevent damage to the water heater, turn OFF the gas supply and inlet water valve. Drain the unit completely. Damage caused by freezing water is not covered by the warranty.***

5. Select an appropriate location for the combustion air and exhaust pipes to exit the building, as shown in the Venting Clearance Specifications section in this manual.
6. Check the water quality.

Proper maintenance of the water heater is required to ensure that the water meets EPA quality standards. The following table shows the maximum contaminant levels allowed, based on the EPA National Secondary Drinking Water Regulations (40 CFR Part 143.3). Refer to section "18. Warranty" on page 68 for additional information.

If you suspect that your water is contaminated in any way, discontinue use of the water heater and contact an authorized technician or licensed professional.

If the incoming water is known to have a high mineral content or "hardness" (see warranty section), treatment is recommended upstream from the water heater.

## 6. Gas Connection

### **WARNING**

#### **FIRE AND/OR EXPLOSION HAZARD**

To avoid serious injury or even death, the gas line installation and the gas line inlet pressure test must be done by a licensed professional.

Always match the water heater with the type of gas supplied to the unit (natural gas or propane). The water heater is factory preset for natural gas.

Make sure the gas line pressures are within normal limits. Pressures outside normal limits can result in poor performance and hazardous operating conditions.

### 6.1 Quick Reference Installation Instructions

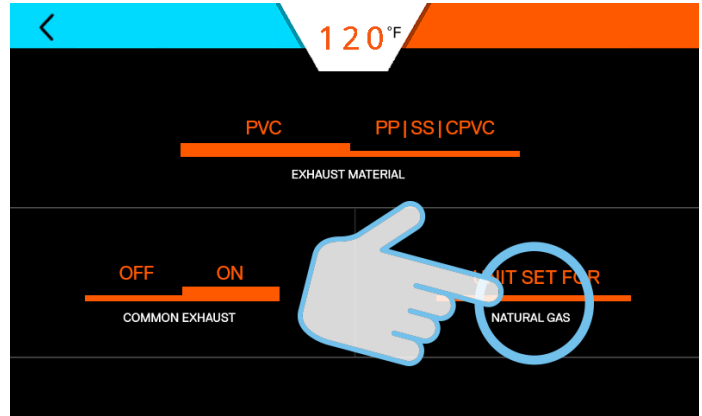
1. Determine fuel source; natural gas or propane as shown in "6.2 Fuel Source" on page 14.
2. Measure gas pressure as shown in "6.3 Gas Pressure Requirements" on page 14.
3. Install a gas pressure regulator and vent line if gas pressure is above maximum recommendations as shown in "6.4 Gas Pressure Regulator" on page 14.
4. Measure the length of the supply line as shown in "6.5 Length of Gas Supply Line" on page 15".
5. Select the proper gas piping material as shown in "6.6 Gas Piping Material" on page 15.
6. Select the proper gas piping diameter as shown in "6.7 Determine Correct Gas Pipe Diameter" on page 15.
7. Install a drip leg on the gas piping as shown in "6.8 Gas Pipe Drip Leg and Shut-off Valve" on page 15.
8. Install a manual shut-off valve as shown in "6.8 Gas Pipe Drip Leg and Shut-off Valve" on page 15.
9. Test all gas line connections for leaks.

### **NOTICE**

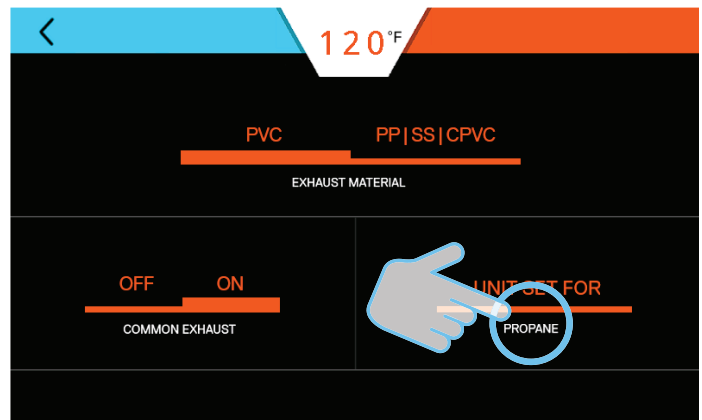
*Do not fire (operate) the water heater until all connections have been completed and the heat engine is filled with water.*

### 6.2 Fuel Source

1. Natural gas is the factory preset.



2. To convert the unit to propane, refer to the Propane (LPG) Conversion section in this manual.



### 6.3 Gas Pressure Requirements

iN series water heaters are designed to operate at gas pressures as low as 2.5" WC (at maximum firing rate). Gas inlet pressures to each unit should not exceed 14" WC under any condition (when unit is firing or not firing).

Natural Gas Static Gas Pressure	
Parameters	Specifications
Minimum Static Gas Pressure	2.5" W.C. (non-corrugated, black iron)
Recommended Gas Pressure	8" W.C.
Maximum Static Gas Pressure	14" W.C.

### 6.4 Gas Pressure Regulator

1. If the gas inlet pressure is higher than recommended, install a gas pressure regulator to lower gas pressure to an acceptable level.
2. The gas pressure regulator must have the same or higher minimum to maximum modulation range as the model it is regulating. For example, an iN401 gas pressure regulator should have a modulation range of 30,000 BTU/h to 399,999 BTU/h.
3. Regulators should be mounted with a minimum of 12" of straight length pipe on either side and a recommended 6 ft from the appliance. If regulator manufacturer recommends more distance, then follow their guidelines.

- When multiple units are connected use a dedicated gas pressure regulator for each unit.
- To convert the unit to propane, refer to the Propane (LPG) Conversion section in this manual. For additional information refer to "11. Natural Gas to Propane Conversion" on page 34.

### 6.4.1 Venting of Gas Supply Regulators

Make sure the gas supply regulator is properly vented by following all local codes and the gas regulator manufacturer's recommendations.

- The vent pipe must be at least the same size as the regulator vent.
- When multiple units are connected, each regulator must have a separate vent line.
- Vent lines must not be connected together or connected with any other appliance requiring external venting.
- When selecting the size, the pipe diameter must be increased by one size for every 20 feet of pipe.
  - Each 90° elbow is equivalent to approximately: 4.5 feet for nominal pipe sizes of up to 1-1/2" 10.5 feet for nominal pipe sizes of up to 4".
  - Each 45° elbow is equivalent to approximately: 2 feet for nominal pipe sizes of up to 1-1/2" 5 feet for nominal pipe sizes of up to 4".

### 6.5 Length of Gas Supply Line

- Make sure the length supply line is correctly sized.
  - Measure the length of the gas supply line from the gas meter to the water heater or other appliances requiring gas. The diameter of the pipe must be in relation to the length.
  - The total length of gas piping, as well as fitting pressure drop, must be considered when sizing the gas piping. Total equivalent length should be calculated from the meter or source location to the last heater connected.
  - Gas pipe size should be selected on the total equivalent length. The gas volume for cfh flow will be the input divided by the calorific value of the fuel to be supplied.
  - Use the Gas Pipe Sizing tables in this manual or refer to the gas line manufacturers sizing information to determine the correct diameter for the supply pipe.
  - The diameter of the gas lines, shown in the illustration, will vary according to the specific installation requirements.

### 6.6 Gas Piping Material

- All gas piping and components must comply with NFPA local codes, and utility requirements minimum. Only gas approved fittings, valves, or pipe should be utilized.
- Standard industry practice for gas piping is Schedule 40 iron pipe and fittings. All high and low gas pressure piping systems must comply with local utility and building codes.
- Assembled piping should be clean of all scale, debris, metal particles, or foreign material.

- The piping must be supported from the floor, ceiling, or walls and by the water heater itself.

### 6.7 Determine Correct Gas Pipe Diameter

**Note:** The water heater should be the first appliance to be connected to the gas supply line.

- Determine the gas requirement of the water heater(s) and other appliances requiring gas.
- Size the pipe diameter according to the COMBINED total maximum BTUH volume for all the appliances as if they were all operating at the same time. Use the "6.10 Gas Pipe Sizing Tables" on page 17.
- Select the proper header pipe according to the number of units being connected together, as shown in the chart.

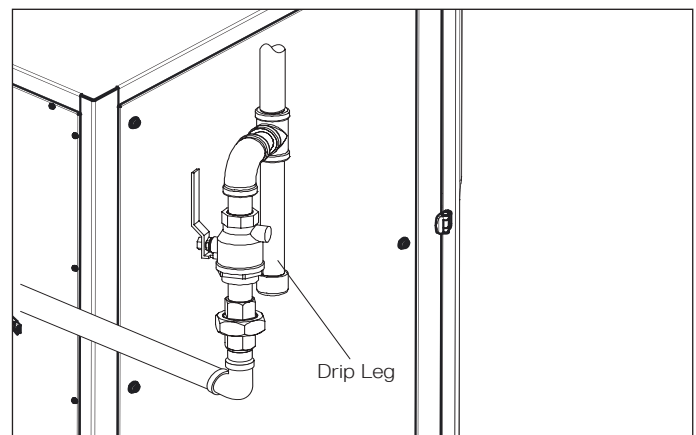
Header Sizing for Multiple iN Units				
Number of Heaters	1	2	3	4
Sch 40 Iron Pipe	2"	2"	3"	3"

- The maximum pressure drop from the source to the final water heater must not exceed 0.3" W.C.
- The maximum gas flow rate required is the sum of the maximum inputs of each unit divided by the heat of combustion of the fuel supplied at the location, (approximately 1,030 BTU per cubic foot for natural gas or 2,520 BTU per cubic foot for propane).

**Note:** The fuel supplier or utility should be consulted to confirm that sufficient volume and normal pressure is provided to the building at the discharge side of the gas meter or supply pipe.

### 6.8 Gas Pipe Drip Leg and Shut-off Valve

- Install a gas pipe drip leg on each water heater to prevent dirt, condensation, or debris from entering the gas inlet.

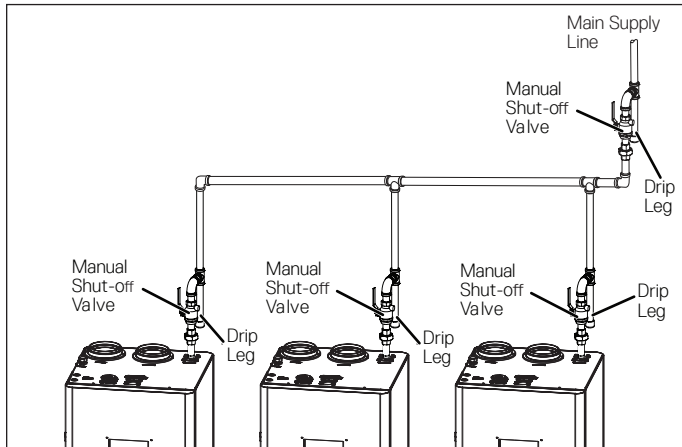
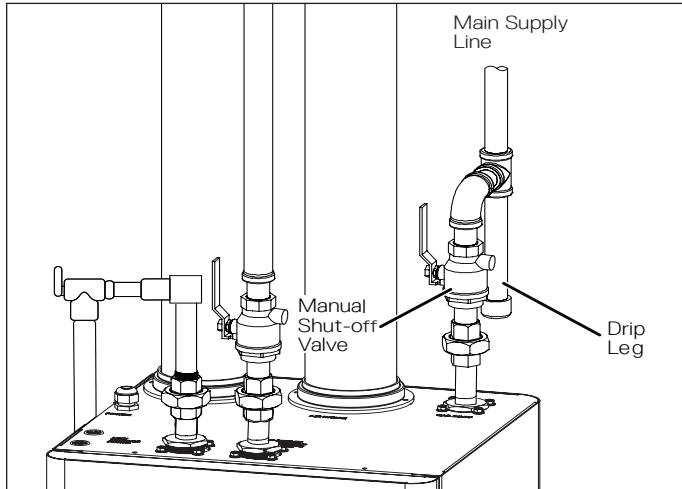


- Local codes may require multiple units to have a full size drip leg on the main gas supply line and one on each unit.
- The drip leg should have a removable clean-out cap.
- The gas pipe must not be supported by the drip leg.
- Following local building codes when selecting and installing a shut-off valve.

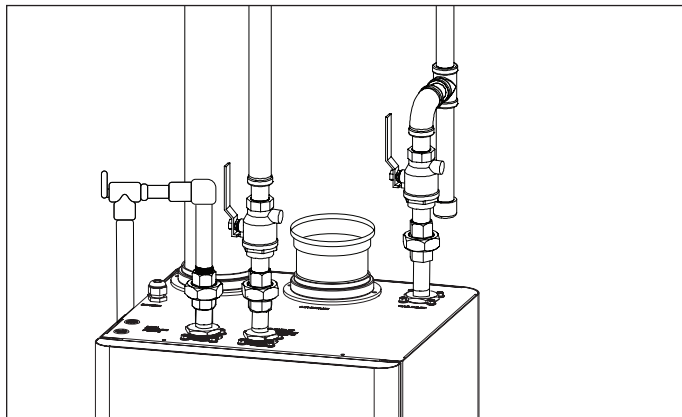
- Local codes may require multiple units to have a shut-off valve on the main gas supply line and one on each unit.

### 6.9 Connecting Gas Line to Unit

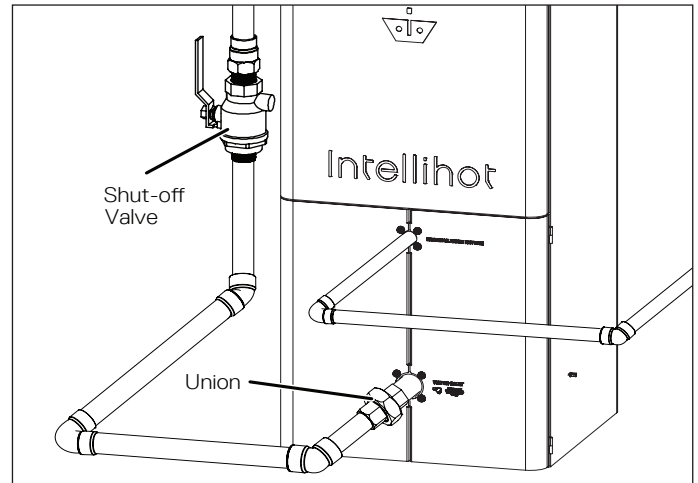
**Note:** Always clean the inside of the gas line of any dirt or debris before connecting the piping to the unit.



- Install a 4-5/8" OD flanged steel coupling and gasket with a short piece of 1-1/4" NPT black pipe.



- Install a manual shut-off valve as described in "6.8 Gas Pipe Drip Leg and Shut-off Valve" on page 15



- Install a drip leg in "6.8 Gas Pipe Drip Leg and Shut-off Valve" on page 15.
- Continue installing pipe to reach the main gas supply connection.
- Test all gas pipe connections.
  - All the gas pipe connections should be tested as prescribed in NFPA 54.
  - In multiple unit applications, each unit should be isolated before testing any piping system may exceed the allowable pressure of 14.0" W.C..

## NOTICE

***Do not fire (operate) the water heater until all connections have been completed and the heat engine is filled with water.***

## 6.10 Gas Pipe Sizing Tables

This information is for reference only. Refer to gas pipe manufacturer specifications for actual delivery capacity. Contact the local gas supplier for actual BTU/ft<sup>3</sup> rating. This data copied from the National Fire Protection Association Article 54 (NFPA 54).

Pipe Sizes and BTU/h Capacity (NATURAL GAS). Use this table for static gas pressure LESS THAN 5" W.C.								
Length including fittings (feet)	3/4"	1"	1-1/4"	1-1/2"	2"	2-1/2"	3"	4"
10	360,000	678,000	1,390,000	2,090,000	4,020,000	6,400,000	11,300,000	23,100,000
20	247,000	466,000	957,000	1,430,000	2,760,000	4,400,000	7,780,000	15,900,000
30	199,000	374,000	768,000	1,150,000	2,220,000	3,530,000	6,250,000	12,700,000
40	-	320,000	657,000	985,000	1,900,000	3,020,000	5,350,000	10,900,000
50	-	284,000	583,000	873,000	1,680,000	2,680,000	4,740,000	9,660,000
60	-	257,000	528,000	791,000	1,520,000	2,430,000	4,290,000	8,760,000
70	-	237,000	486,000	728,000	1,400,000	2,230,000	3,950,000	8,050,000
80	-	220,000	452,000	677,000	1,300,000	2,080,000	3,670,000	7,490,000
90	-	207,000	424,000	635,000	1,220,000	1,950,000	3,450,000	7,030,000
100	-	-	400,000	600,000	1,160,000	1,840,000	3,260,000	6,640,000
125	-	-	355,000	532,000	1,020,000	1,630,000	2,890,000	5,890,000
150	-	-	322,000	482,000	928,000	1,480,000	2,610,000	5,330,000
175	-	-	296,000	443,000	854,000	1,360,000	2,410,000	4,910,000
200	-	-	275,000	412,000	794,000	1,270,000	2,240,000	4,560,000

Note: BTU/h capacities are based on specific gravity of 0.6, pressure drop of 0.5" WC

Pipe Sizes and BTU/h Capacity (NATURAL GAS). Use this table for static gas pressure GREATER THAN 5" W.C.									
Length including fittings (feet)	1/2"	3/4"	1"	1-1/4"	1-1/2"	2"	2-1/2"	3"	4"
10	404,000	949,000	1,787,000	3,669,000	5,497,000	10,588,000	16,875,000	29,832,000	43,678,000
20	286,000	652,000	1,228,000	2,522,000	3,778,000	7,277,000	11,598,000	20,503,000	30,020,000
30	233,000	524,000	986,000	2,025,000	3,034,000	5,844,000	9,314,000	16,465,000	24,107,000
40	202,000	448,000	844,000	1,733,000	2,597,000	5,001,000	7,971,000	14,092,000	20,632,000
50	-	397,000	748,000	1,536,000	2,302,000	4,433,000	7,065,000	12,489,000	18,286,000
60	-	360,000	678,000	1,392,000	2,085,000	4,016,000	6,401,000	11,316,000	16,569,000
70	-	331,000	624,000	1,280,000	1,919,000	3,695,000	5,889,000	10,411,000	15,243,000
80	-	308,000	580,000	1,191,000	1,785,000	3,437,000	5,479,000	9,685,000	14,181,000
90	-	289,000	544,000	1,118,000	1,675,000	3,225,000	5,140,000	9,087,000	13,305,000
100	-	273,000	514,000	1,056,000	1,582,000	3,046,000	4,856,000	8,584,000	12,568,000
125	-	242,000	456,000	936,000	1,402,000	2,700,000	4,303,000	7,608,000	11,139,000
150	-	219,000	413,000	848,000	1,270,000	2,446,000	3,899,000	6,893,000	10,093,000
175	-	202,000	380,000	780,000	1,169,000	2,251,000	3,587,000	6,342,000	9,285,000
200	-	-	353,000	726,000	1,087,000	2,094,000	3,337,000	5,900,000	8,638,000

Note: For 1/2" line BTU/h capacities are based on specific gravity of 0.6, pressure drop of 4.6" WC and 5.0" WC. For all other line sizes, capacities are based on specific gravity of 0.6, pressure drop of 3.0" WC

**Pipe sizes and BTU/h capacity (PROPANE). Use this table for static gas pressure  
GREATER THAN 5" W.C.**


<b>Length including fittings (feet)</b>	<b>1/2"</b>	<b>3/4"</b>	<b>1"</b>	<b>1-1/4"</b>	<b>1-1/2"</b>	<b>2"</b>	<b>2-1/2"</b>	<b>3"</b>	<b>4"</b>
10	409,000	608,000	1,150,000	2,350,000	3,520,000	6,790,000	10,800,000	19,100,000	39,000,000
20	289,000	418,000	787,000	1,620,000	2,420,000	4,660,000	7,430,000	13,100,000	26,800,000
30	236,000	336,000	632,000	1,300,000	1,940,000	3,750,000	5,970,000	10,600,000	21,500,000
40	204,000	287,000	541,000	1,110,000	1,660,000	3,210,000	5,110,000	9,030,000	18,400,000
50	-	255,000	480,000	985,000	1,480,000	2,840,000	4,530,000	8,000,000	16,300,000
60	-	231,000	434,000	892,000	1,340,000	2,570,000	4,100,000	7,250,000	14,800,000
80	-	212,000	400,000	821,000	1,230,000	2,370,000	3,770,000	6,670,000	13,600,000
100	-	-	372,000	763,000	1,140,000	2,200,000	3,510,000	6,210,000	12,700,000
125	-	-	349,000	716,000	1,070,000	2,070,000	3,290,000	5,820,000	11,900,000
150	-	-	330,000	677,000	1,010,000	1,950,000	3,110,000	5,500,000	11,200,000
175	-	-	292,000	600,000	899,000	1,730,000	2,760,000	4,880,000	9,950,000
200	-	-	265,000	543,000	814,000	1,570,000	2,500,000	4,420,000	9,010,000


Note: The line BTU/h capacities are based on specific gravity of 1.5, pressure drop of 0.5" WC.

## 7. Air Intake Inlet and Exhaust Gas Outlet Pipe Connections

### **DANGER**

Improper venting of the water heater will result in excessive levels of carbon monoxide, which can lead to severe personal injury or death. This water heater must be vented in accordance with the “Venting of Equipment” section of the latest edition of the ANSI Z223.1 / NFPA 54 (Natural Fuel Gas Code) in the USA, or in Canada refer to the “Venting Systems and Air Supply for Appliances” section in the latest version of CAN/CGA B149.1 (Natural Gas and Propane Installation Code), and all applicable local building codes. Vent installation should be performed only by a licensed professional.

 **WARNING**

 **BREATHING HAZARD  
CARBON MONOXIDE GAS**

- Do not operate flood damaged water heaters.
- Install venting system according to the required codes and material manufacturers specifications.
- Do not obstruct fresh air intakes or exhaust outlets. Adequately support all vent system piping.
- Do not place vapor emitting products near water heater or air intake.
- Place working carbon monoxide detectors outside each sleeping area.
- Do not operate the water heater before properly installing the exhaust outlet.
- Visually inspect the vent system and eliminate any possible area where condensation could create a blockage of intake or exhaust air.

Breathing concentrated levels of carbon monoxide, even for a short period of time, will cause brain damage and can even lead to death.

**Note:** This water heater falls into the Category IV appliance.

### 7.1 Quick Reference Installation Guide

1. Select the desired type of venting system: Two Pipe Vent System (Direct) or Single Pipe Vent System (Power).
  - "7.3 Two Pipe Vent System (Direct Vent)" on page 20.
  - "7.4 Single Pipe Venting System (Power Vent)" on page 22.
2. Select the desired termination of the air intake inlet and exhaust gas outlet pipe; outside wall or roof.
  - "7.3.3 Side Wall Air Intake Inlet and Exhaust Gas Outlet Pipe Termination" on page 21.
  - "7.3.4 Roof Air Intake Inlet and Exhaust Gas Outlet Pipe Termination" on page 22.

3. Determine the straight line distance and the number of elbows required to route the air intake inlet and exhaust gas outlet pipes to their termination point.  
"7.6 Intake Air Inlet and Exhaust Gas Outlet Pipe Diameter and Length" on page 24.
4. Determine the diameter of pipe required to properly bring in intake air and vent exhaust gas.  
"7.6 Intake Air Inlet and Exhaust Gas Outlet Pipe Diameter and Length" on page 24.
5. Verify the location of the air intake inlet and exhaust gas outlet terminations are within state and local codes.  
"7.7 Venting Clearance Specifications" on page 25.
6. Select an approved material for the air intake inlet piping.  
"7.8 Exhaust Gas Outlet Pipe Materials" on page 26.
7. Select an approved material for the exhaust gas outlet piping. "7.9 Air Intake Inlet Pipe Vent Materials" on page 26.

### 7.2 Typical Single Unit Air Intake Inlet and Exhaust Gas Outlet Pipe Installation

1. Select one of the two venting configurations: two pipes (direct vent) configuration or with one pipe (power vent) configuration.
2. Select the desired termination location and make sure each pipe terminates within all local and state codes.
3. Select the desired material for the air intake inlet and exhaust gas outlet pipes.

### **CAUTION**

This water heater has a factory preset control to limit the exhaust gas temperature to 149°F (65°C) when the PVC is selected in the “Flue Type” programming section. As a result, the water heater can be vented with Schedule 40 PVC. If the incoming (or recirculation return) water temperature does not exceed 150°F (66°C), the exhaust gas temperature will not exceed 149°F (65°C).

### **WARNING**

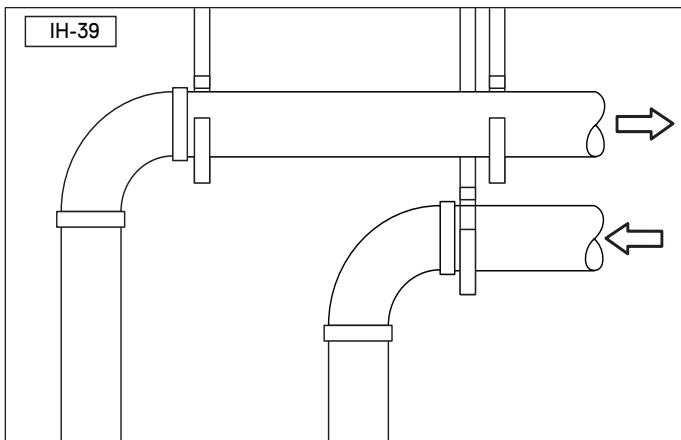
When the unit is set for CPVC (polypropylene pipe), flue temperatures can reach 190°F (88°C). PVC pipe will melt at temperatures above 149°F (65°C) and could therefore result in a fire. Make sure the setting and the type of material being used for the flue are compatible.

For this application use Schedule 80 CPVC or Approved Polypropylene in the USA or Type BH Special Gas Vent Class IIB (CPCV) or Class IC (Polypropylene) that conforms to ULC-S636 in Canada.

**SAFETY  
INSTRUCTIONS**

On multiple unit installations, the air intake inlet and exhaust gas outlet piping from each water heater must be connected into the properly-sized common piping. Use the table in "7.6 Intake Air Inlet and Exhaust Gas Outlet Pipe Diameter and Length" on page 24 to determine the diameter of the common connecting piping between each individual water heater.

4. Determine the length and corresponding diameter for the air inlet pipe and route the pipe to the desired termination location.
  - a. For termination of the pipe to the outside, continue installing the required pipe to a suitable outside location. Glue all connections, making sure the joints are sealed airtight.
  - b. Install suitable pipe support hangers every 4 to 5 feet, or as local building codes require.



- c. To configure the unit for power vent, insert a 3' section of 3" pipe.
5. Determine the length and corresponding diameter for the exhaust gas outlet pipe and route it to a suitable outside location.
  - a. Glue all connections, making sure the joints are sealed airtight.
  - b. Install all horizontal exhaust gas outlet piping with a minimum 2 degree (1/4" per foot) slope back toward the water heater. This allows any condensate that accumulates in the exhaust gas outlet pipe to properly drain back into the unit.
  - c. Install suitable pipe support hangers every 4 to 5 feet, or as local building codes require.

**SAFETY  
INSTRUCTIONS**

**Do not connect any other appliance vents to the water heater inlet or outlet pipes.**

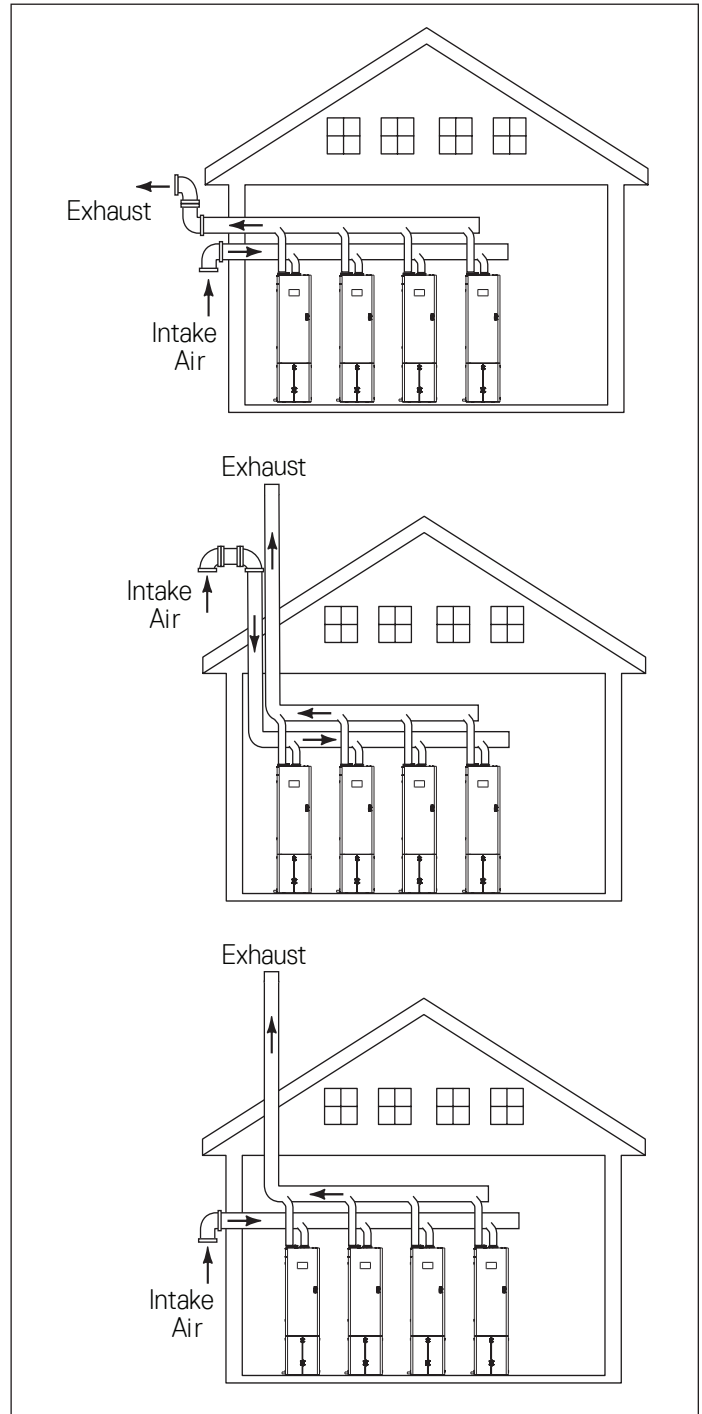
6. If multiple units are installed, make sure the diameter of the connecting exhaust gas outlet pipe is properly sized for the number of units being installed.

## 7.3 Two Pipe Vent System (Direct Vent)

### 7.3.1 Single Unit Configurations

The water heater can be directly vented without any modification using a 4 inch diameter pipe.

The following diagrams represent some typical direct venting configurations and are included to assist in designing the vent system. Possible configurations are not limited to the following diagrams.



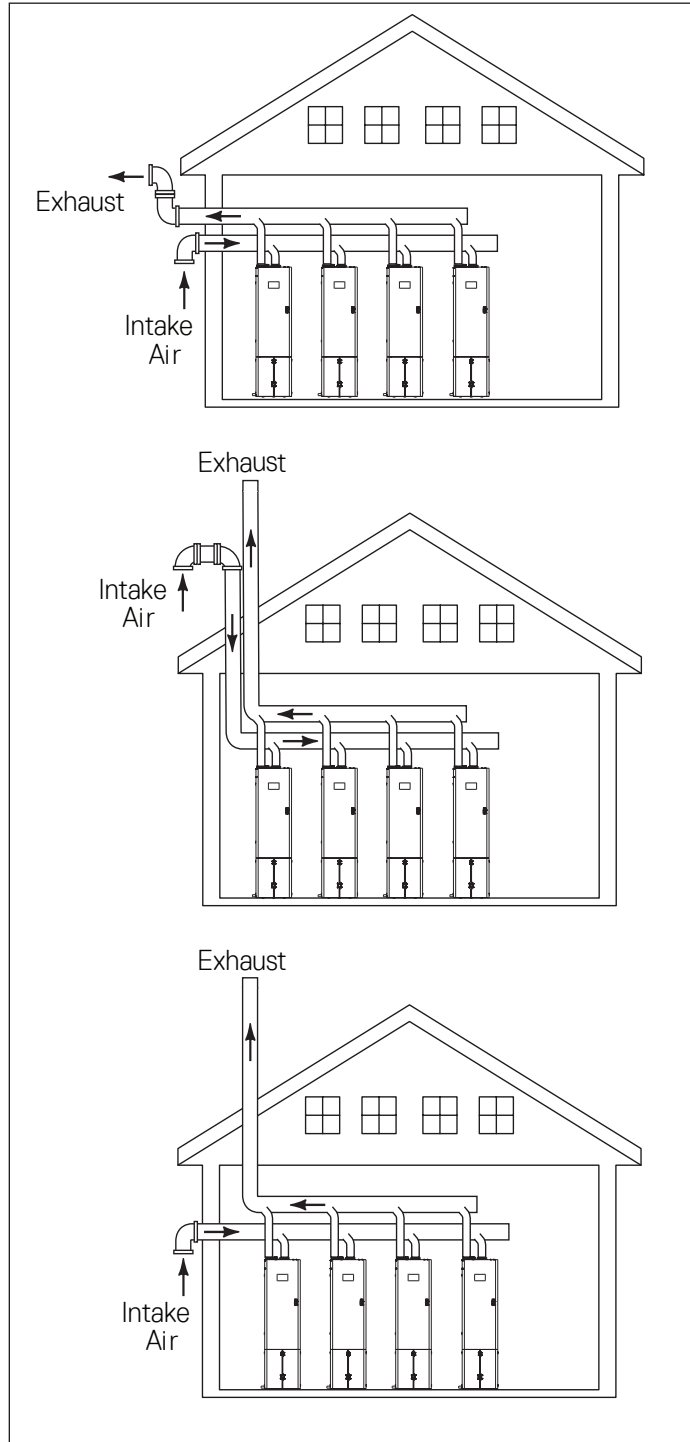


### 7.3.2 Multiple Units Configurations

When more than one unit is installed, refer to "7.6 Intake Air Inlet and Exhaust Gas Outlet Pipe Diameter and Length" on page 24.

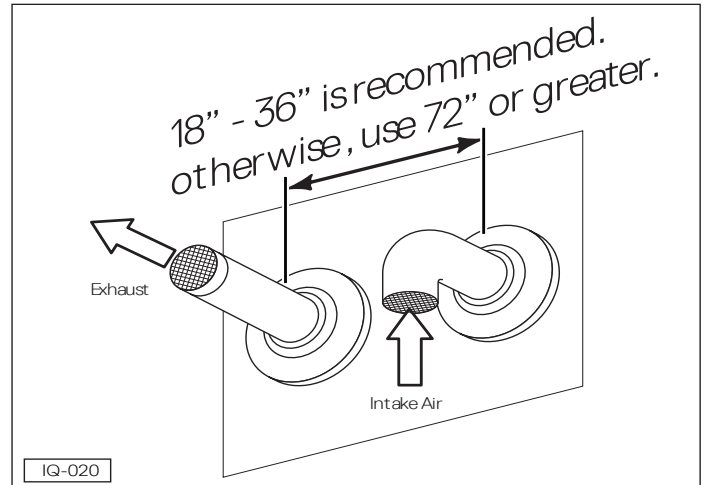
Connecting multiple units together requires proper sizing of the air intake inlet and exhaust gas outlet pipes. Up to four water heaters can be connected (cascaded) together. Units which share a common vent must be connected together in a cascading configuration, as described in "13. Connecting Multiple Units" on page 47.

The following diagrams represent some typical direct venting configurations and are included to assist in designing the vent system. Possible configurations are not limited to the following diagrams.

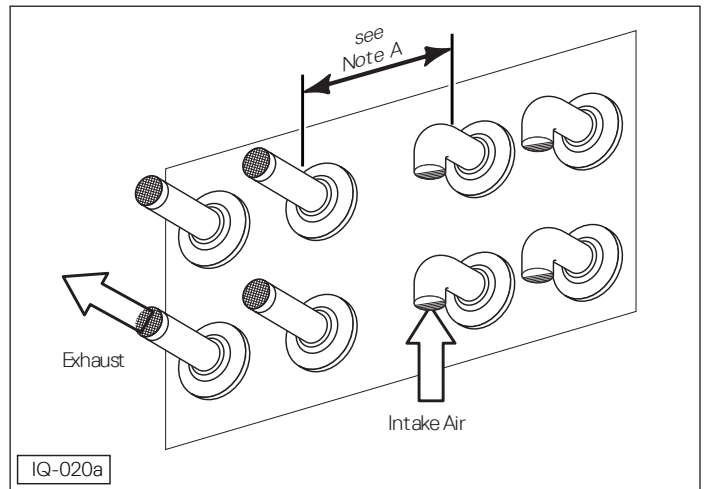


### 7.3.3 Side Wall Air Intake Inlet and Exhaust Gas Outlet Pipe Termination

1. Terminate the air intake inlet pipe with a 90° elbow (angled down). Use a flange and PVC screen (not supplied).
2. Terminate the exhaust gas outlet pipe on the exterior wall at least 12" above ground and at least 18" away from the air intake inlet pipe, or as required by local building codes. In areas of high snow fall, protect the vent terminations from blockage. Use a flange and PVC guard.



Single unit.



Multiple units.

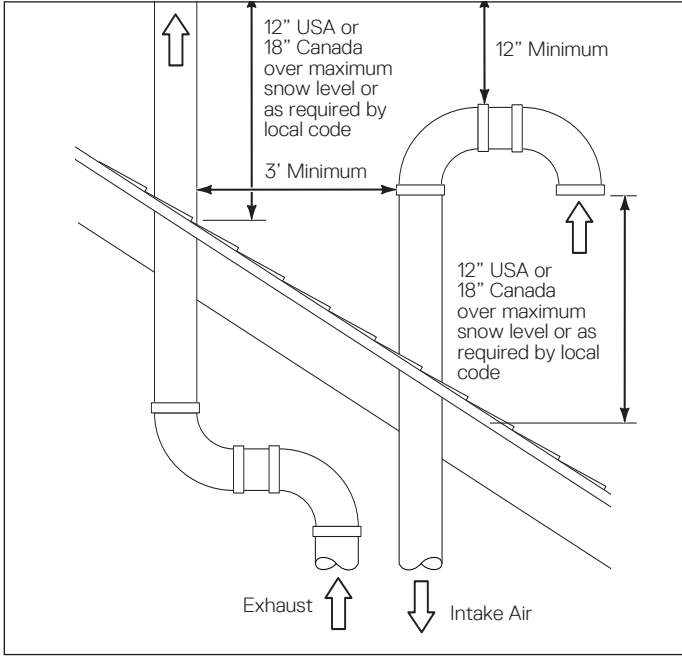
Separation distance	Allowed
0 - 17.9"	Not allowed
18" - 36"	<b>Allowed</b>
36.1" - 71.9"	Not allowed
72" or greater	<b>Allowed</b>

3. To avoid moisture and frost build-up to openings on adjacent homes, use 45° elbows, 90° elbows, or tees for the vent termination to direct the exhaust gas fumes away from the building.

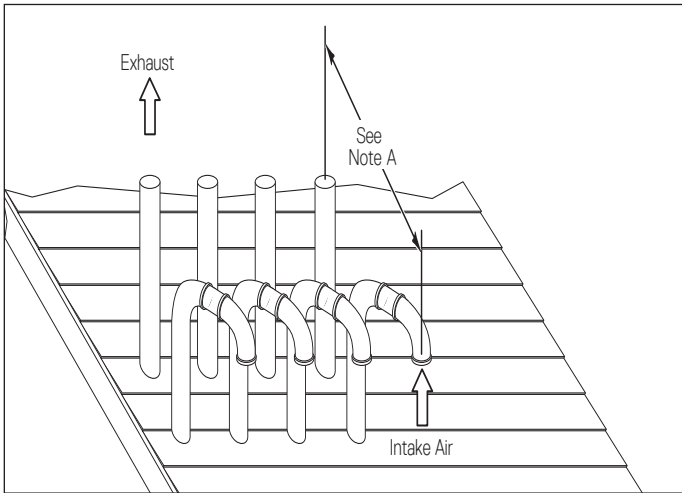
### 7.3.4 Roof Air Intake Inlet and Exhaust Gas Outlet Pipe Termination

Venting the unit through the roof is also an option. With this installation method, the terminations must extend at least 12" over maximum potential snow levels, or as required by local building codes. In areas of high snow fall, protect the vent terminations from blockage.

Terminate the air intake inlet pipe with a 90° elbow (angled down). A suitable roof flashing and vent cap (not supplied) should be installed.



Single unit.



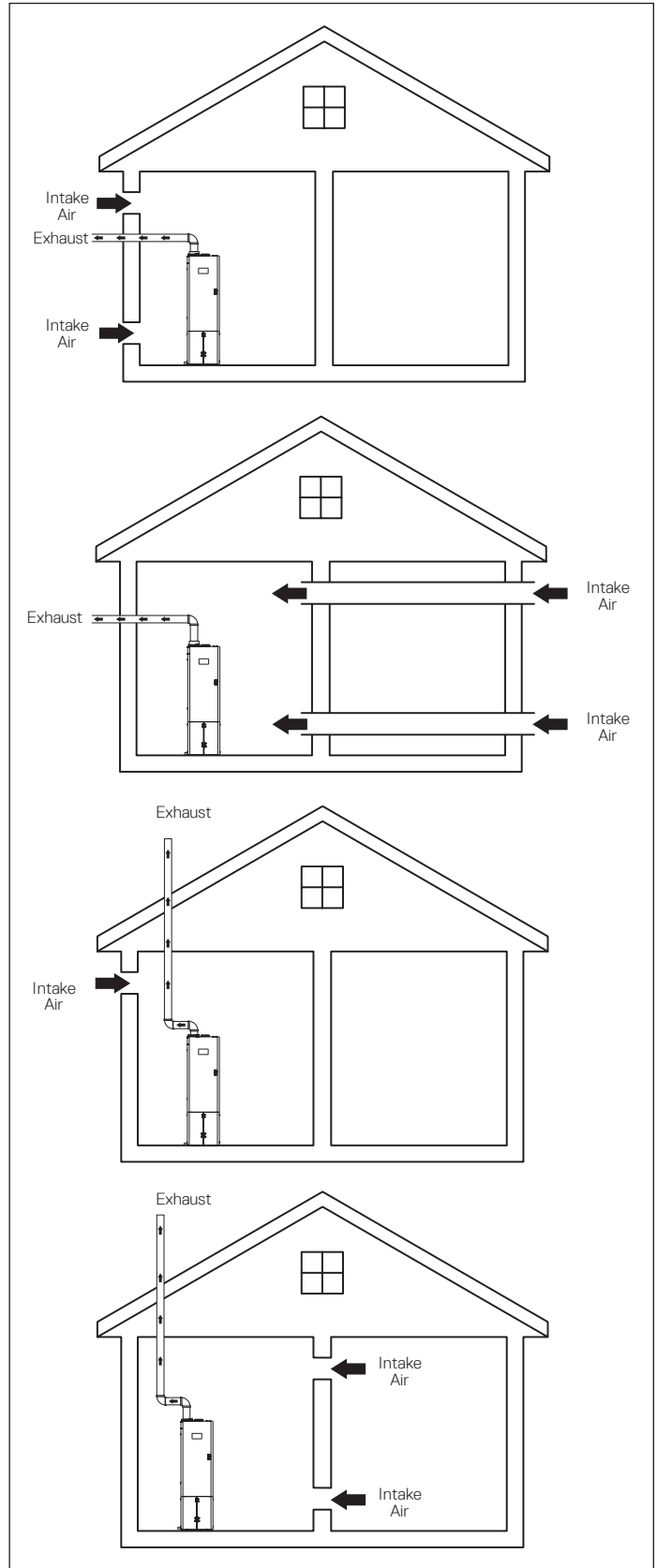
Multiple units.

**Note A:** The distance between any exhaust gas outlet and air intake inlet pipe should be between 18 and 36 inches apart. If this minimum specification cannot be met, the air intake inlet and exhaust gas outlet pipes should be 72 inches apart or more.

### 7.4 Single Pipe Venting System (Power Vent)

#### 7.4.1 Single Unit

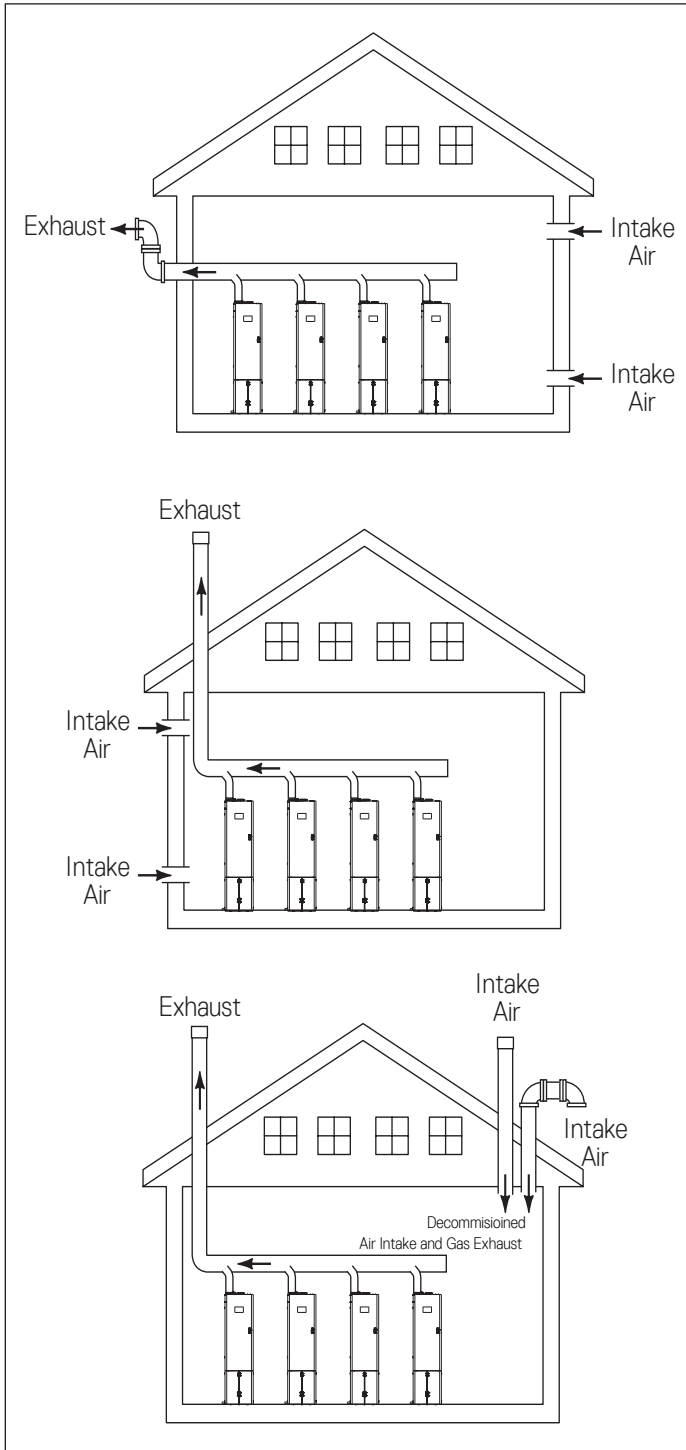
The following illustrations represent some typical power venting configurations and are included to assist in designing the vent system. Possible configurations are not limited to these designs.



## 7.4.2 Multiple Units

When installing multiple units, refer to "7.6 Intake Air Inlet and Exhaust Gas Outlet Pipe Diameter and Length" on page 24.

Connecting multiple units together requires proper sizing of the air intake inlet and exhaust gas outlet pipes. Up to four water heaters can be connected (cascading) together. Units which share a common vent must be connected together in a cascading configuration, as described in "13. Connecting Multiple Units" on page 47.



## 7.5 Combustion Air Requirements

When using the single exhaust gas outlet pipe or power vent method, the following table outlines the required opening sizes for the combustion and ventilation air coming into the room and the required CFM requirements per water heater:

### SAFETY INSTRUCTIONS

**Do not operate the unit in an area that will draw in outside air contaminated with high levels of dust, sawdust, aerosols such as paint, or other airborne contaminants.**

**If necessary, purchase and install appropriate air screens and follow a regular cleaning program to ensure an adequate supply of clean, outside combustion air.**

Required Combustion & Ventilation Air Opening Sizes (sq. in.) Per Heater Per Boiler Room:							
Model	Input	Air Type	Required CFM	Air is drawn directly from outside into the mechanical room			Air is drawn from another interior space inside the building
				through two openings*, direct or vertical	through one opening**	through two horizontal ducts	
iN401	399,999	Combustion Air	72	100	125	200	400
		Ventilation Air	72	100		200	400
iN501	499,999	Combustion Air	90	125	125	250	500
		Ventilation Air	90	125		250	500

\*Where two openings are used, one must be within 12 inches of the floor and the other opening must be within 12 inches of the ceiling of the mechanical room.  
 \*\*Where one opening is required, it must be located within 12 inches of the ceiling.

## 7.6 Intake Air Inlet and Exhaust Gas Outlet Pipe Diameter and Length

The iN401 and iN501 come factory installed with 4 inch polypropylene (PP) venting. The following chart outlines the maximum length of venting allowable for each model.

A vent system's length is calculated by adding the length of all straight runs used (both horizontal and vertical) and then adding the equivalent lengths of each turn (90° or 45° elbow) used in the system.

### SAFETY INSTRUCTIONS

**A vent system's length must not exceed the maximum length outlined in the chart below.**

Maximum Pipe Length in Feet							
Number of Units	Venting Type	Diameter, Model, and Length in Feet					
		4" Diameter		6" Diameter		8" Diameter	
		iN401	iN501	iN401	iN501	iN401	iN501
1	1 pipe	250	180	250	250	250	250
	2 pipes	125	90	125	125	125	125
2	1 pipe	82	50	250	250	250	250
	2 pipes	41	25	125	125	125	125
3	1 pipe	40		250	176	250	250
	2 pipes	20		125	88	125	125
4	1 pipe					250	250
	2 pipes					125	125

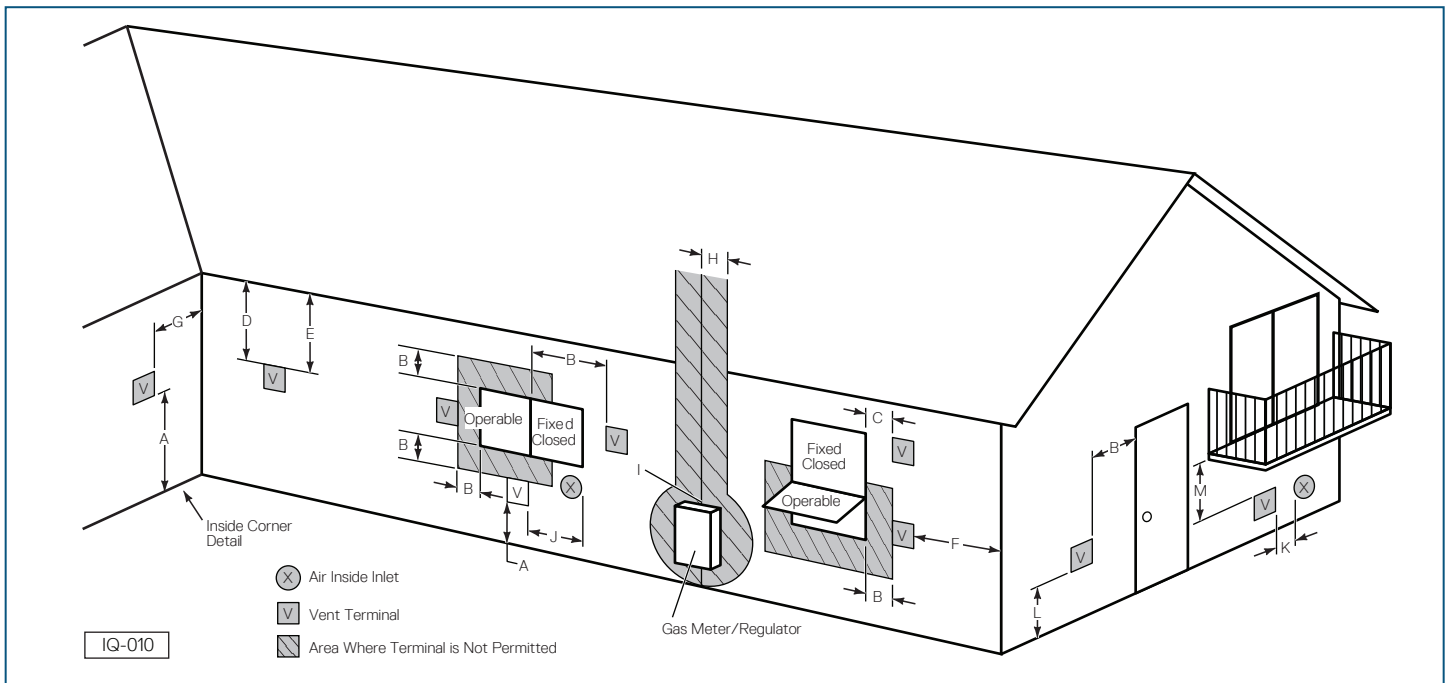
**1 pipe** - Only exhaust out pipe is connected and the combustion air intake is from within the room. For example, one iN401 with a 4" diameter, the maximum exhaust pipe length for 1 pipe is 250 feet.

**2 pipes** - Both the Combustion air intake and the exhaust pipe are connected. In this case, the table specifies the maximum length per pipe. For example, one iN401 with 4" diameter, 125 feet maximum is allowed for combustion air intake pipe and exhaust out pipe. The 125 feet maximum is per pipe.

**Note:**

1. Reduce the maximum equivalent length above by 5 feet per 90° elbow used and by 2 feet per 45° elbow used. Do not exceed the above set limits.
2. If multiple units are common vented, then the units must be cascaded. Please refer to the combustion section for how to do combustion with common vented units.

## 7.7 Venting Clearance Specifications



Venting Clearance Specifications			
Item	Description	Clearance Distance	
		USA <sup>1</sup>	Canada <sup>2</sup>
A	Clearances above grade, veranda, porch, deck, or balcony	1 foot	1 foot
B	Clearances to window or door that may be opened	1 foot**	3 feet
C	Clearances to permanently closed window	*	*
D	Vertical clearance to a ventilated soffit, eaves, or overhang	*	*
E	Clearances to unventilated soffit, eaves, or overhang	*	*
F	Clearances to outside corner	*	*
G	Clearances to inside corner	*	*
H	Clearances to each side of centerline extended from meter/regulator	*	3 feet within a height 15 feet above meter/regulator assembly
I	Clearances to gas meter regulator vent outlet	*	3 feet
J	Clearances to non-mechanical air supply inlet or combustion air inlet to any other appliance	1 foot**	3 feet
K	Clearances to mechanical air supply inlet	3 feet above if within 10 feet horizontally	6 feet
L	Clearances to above paved sidewalk or paved driveway on public property	*	7 feet
M	Clearances under veranda, porch, deck, or balcony	*	1 foot

\*Per local/gas supplier codes. Use clearances in accordance with local building codes and local gas supplier.  
 \*\* For single vent pipe/direct 4 feet (1.2 m) below or to the side of opening and 1 foot above opening.

<sup>1</sup> In accordance with Z223.1  
<sup>2</sup> In accordance with CSA B149.1

**Note:** The vent for this appliance shall not terminate:  
 Over public walkways; or  
 Near soffit vents or crawl space vents or other areas where condensate or vapor could create a nuisance or hazard or cause property damage; or  
 Where condensate vapor could cause damage or could be detrimental to the operation of regulators, relief valves, or other equipment.

## 7.8 Exhaust Gas Outlet Pipe Materials

### SAFETY INSTRUCTIONS

For Canadian installations, plastic exhaust gas outlet piping must comply with CAN/CGA B149.1 and be certified to the Standard For Type BH Gas Venting Systems, ULC-S636. Components of this listed system must not be interchanged with other vent systems or unlisted pipes or fittings. All plastic components and specified primers and glues must be from a single system manufacturer and must not be intermixed with another system manufacturer's products.

All units come factory installed with 4 inch polypropylene (PP) venting. A polypropylene to PVC adapter is included with each unit to enable the use of PVC exhaust gas outlet pipe. The maximum allowable venting distances are the same regardless of vent material selected.

The materials listed in the tables below outline the acceptable exhaust gas outlet pipe materials:

United States Exhaust Gas Outlet Pipe Standards	
Material	Description*
Exhaust Gas Outlet Pipe	PVC Schedule 40 (ASTM D1785)
	CPVC Schedule 80
	Approved Polypropylene
	AL29-4C Stainless Steel
Canadian Exhaust Gas Outlet Pipe Standards	
Material	Description (approved to ULC-S636)**
Exhaust Gas Outlet Pipe	Type BH Special Gas Vent Class IIA (PVC)
	Type BH Special Gas Vent Class IIB (CPVC)
	Type BH Special Gas Vent Class IIC (Polypropylene)
	Type BH Special Gas Vent Class I (AL29-4C Stainless Steel)
*Note: Use of cellular core PVC (ASTM F891), cellular core CPVC, or Radel (polyphenylsulfone) in nonmetallic venting systems is prohibited. Covering non-metallic vent pipe and fittings with thermal insulation is prohibited.	
**Note: The components (pipe, fittings, primers, and glues) must be from a single manufacturer; do not interchange. Follow the vent manufacturer's certified instructions.	

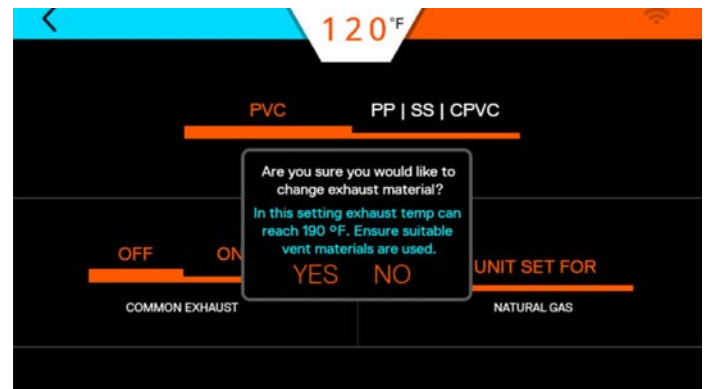
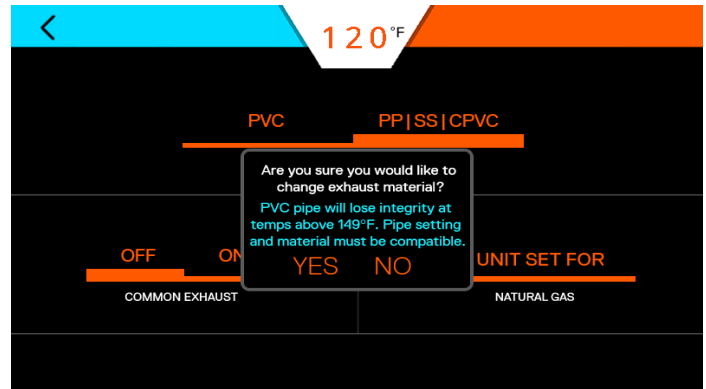
### SAFETY INSTRUCTIONS

**Do not use cellular foam core pipe to vent exhaust gases.**

This water heater has a built-in exhaust gas outlet temperature control that limits the exhaust gas temperature to a maximum of 149°F (65°C) for PVC pipe. In commercial applications which require higher water temperatures, exhaust gas temperature can reach 190°F (88°C) and require materials such as polypropylene (PP), stainless steel (SS), or CPVC.

If the temperature approaches the upper limit, the burner will turn off automatically to protect the vent pipe. Once the exhaust gas temperature has dropped to a normal operating level, the unit will automatically restart.

If the inlet/return water temperature will exceed 150°F (66°C), do not use PVC pipe. Follow the display prompts to set the maximum water temperature for the exhaust gas outlet pipe material being used.



## 7.9 Air Intake Inlet Pipe Vent Materials

The air intake inlet pipe can be of any plastic or metal vent material available. ABS, PVC, polypropylene, galvanized steel, and/or flexible corrugated ducting are all examples. When using a corrugated material, ensure there is no inadvertent crimping or blockage to the air intake inlet pipe.

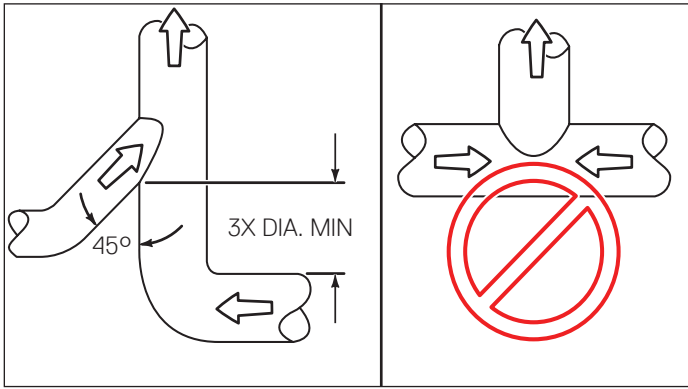
Refer to the table below for a list of approved materials.

United States Vent Pipe Standards	
Material	Description
Vent Pipe	PVC Schedule 40
	CPVC Schedule 80
	Approved Polypropylene

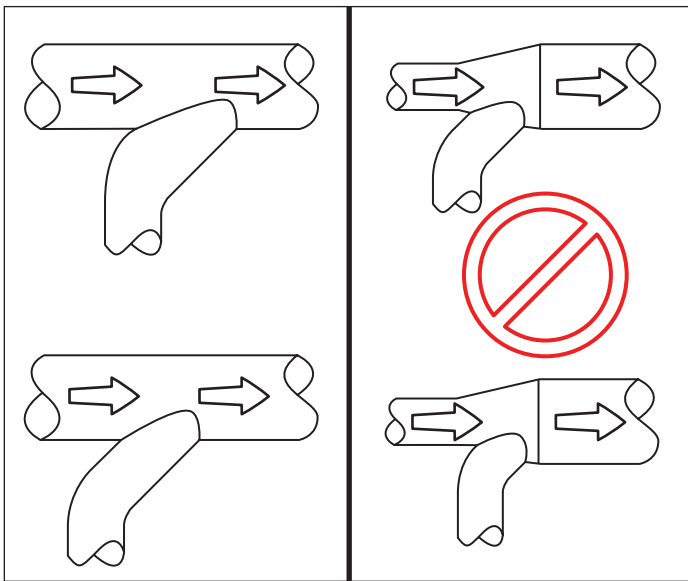
Canadian Vent Pipe Standards	
Material	Description
Vent Pipe	Type BH Special Gas Vent Class IIA (PVC)
	Type BH Special Gas Vent Class IIB (CPVC)
	Type BH Special Gas Vent Class IIC (Polypropylene)

**Note:** In addition to these charts, it is recommended to consult the most recent edition of ANSI Z223.1/NFPA 54 or CAN/CGA B149.1, as well as all applicable local codes and regulations when selecting vent pipe materials.

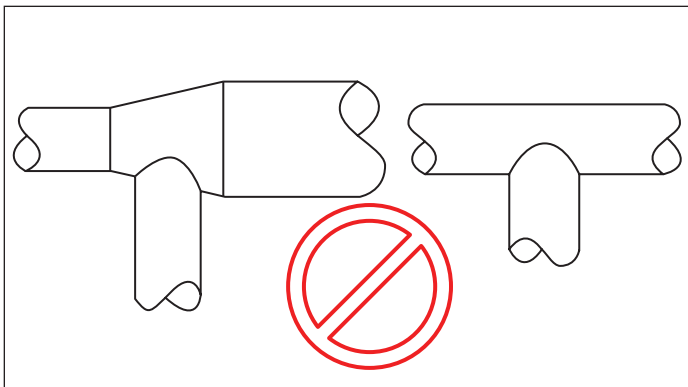
## 7.10 Recommended Exhaust Gas Outlet Pipe Transitions



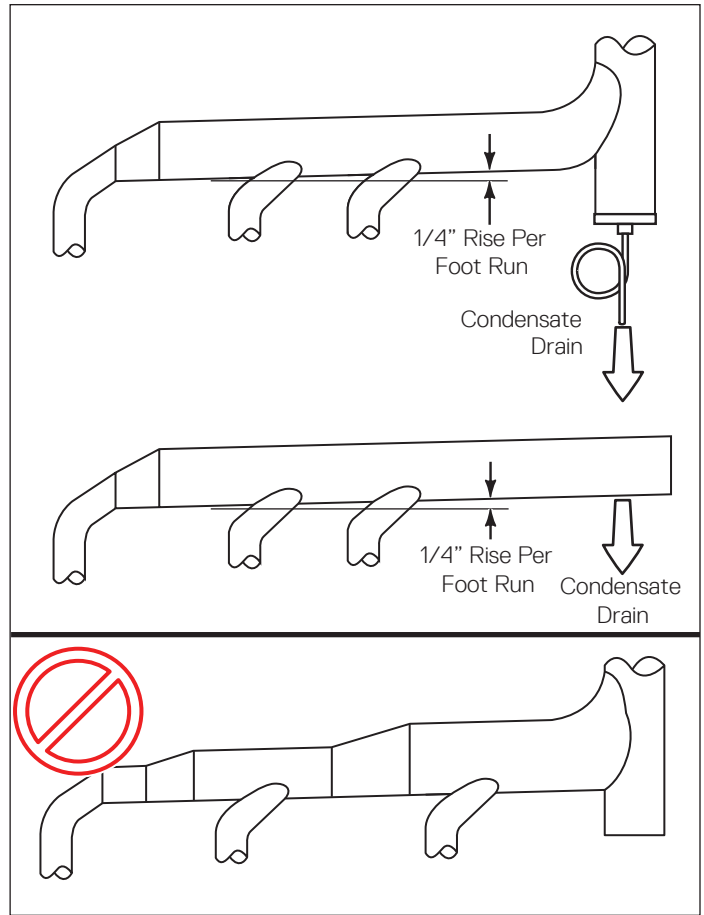
Do not direct exhaust gas from opposite directions. Use a 45 degree transition, as shown.



Do not transition into a reducer or use a t-fitting. Transitions should always be directed into a straight run of pipe.



Do not use 90 degree transition into a reducer or a straight pipe.



Do not use reducers in a straight run of pipe.

## 8. Water Connections

**Note:** For flow rate changes faster than 10 gpm in one second, a water hammer arrester must be installed to prevent damage to the water heater.

### 8.1 Quick Reference Installation Instructions

1. Install the hot water pipe and the pressure relief valve (furnished with the water heater) as per "8.2 Hot Water Connection" on page 28.

## NOTICE

*When tightening any fittings to the connections on the water heater, care should be exercised not to overtighten these joints and damage the unit.*

2. Install the cold water pipe as per "8.3 Cold Water Connection" on page 29.
3. Install a condensate drain line as per "8.4 Condensate Drain Line" on page 29.
4. After installation has been completed, fill and test the water heater for proper flow and inspect for leaks.
5. Run the hot water for a few minutes and then clean the inlet water strainer located on the cold water inlet fitting. This strainer must be cleaned periodically to maintain proper water flow.

### 8.2 Hot Water Connection

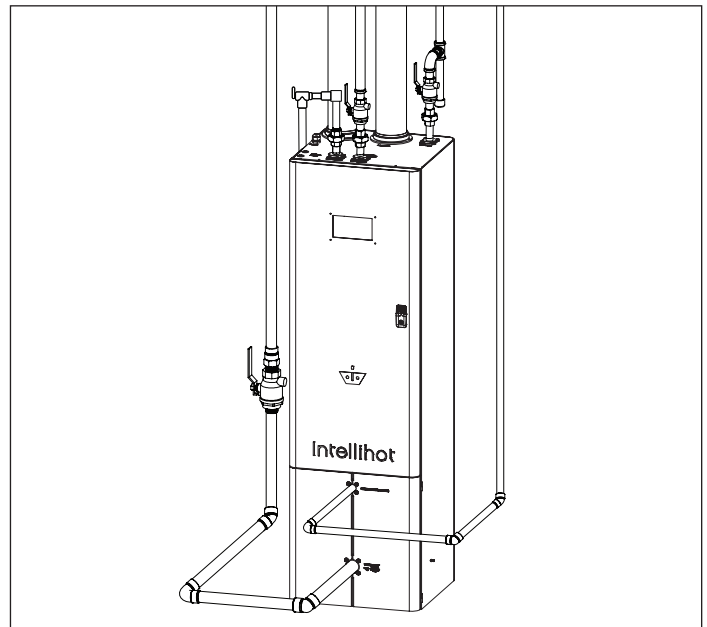
Install and connect the hot water lines. Keep the hot water pipes as short as possible to deliver hot water to the fixtures quickly. If an optional hot water storage tank is required, connect the hot water lines to this tank also.

Since each installation is different, it is up to the installer to route the water lines using the most efficient routing. The drawings shown here are only suggestions indicating the items needed for the installation.

## CAUTION

**To prevent adverse health issues, only materials (pipes, fittings, valves, solder, etc.) that are approved for use in potable water systems should be used.**

1. Connect a 1-1/2" NPT coupler to the water heater's hot water connection.
2. Install a 1-1/2" union connection.
3. Install the supplied 3/4" 150 psi maximum pressure relief valve, into the port on the top of the unit.
4. Following local building codes, install a 1-1/2" manual shut-off valve with 1-1/2" NPT fittings.



## WARNING

**To prevent serious personal injury, do not install any shut-off device between the water heater and the pressure relief valve. This valve is designed to release abnormally high pressure within the water heater in the event of a system problem.**

## NOTICE

*The pressure relief valve must be rated at 150 psi, the maximum btu/h output of the unit, and comply with all local building codes and standards. Do not install any restrictions or other valves prior to the pressure relief valve.*

5. Install and route a discharge pipe from pressure relief valve to within six inches of the floor and directed away from walkways or other appliances.
  - a. Route the relief valve to within six inches of the floor to prevent injury in the event of a discharge.
  - b. The diameter of the pipe from the relief valve must be equal to the outlet size of the relief valve.
  - c. Do not use reducers in the outlet pipe.
  - d. Do not install any valves, restrictions, elbows, or other blockages in the outlet pipe.
  - e. For multiple unit installations, the outlet piping must not be connected together. Each pipe must be separately routed to a suitable drain.
6. Connect the unit to the building's hot water pipes. If multiple water heaters are being installed, the diameter of both the main cold water pipes and the main hot water pipes need to be sized by an engineering professional.
7. To conserve energy, insulate all hot water pipes and recirculation pipes.



**SAFETY  
INSTRUCTIONS**

**Do not insulate the pressure relief valve.**

8. With the unit OFF, open a nearby hot water faucet and allow the water to flow through the unit until all the trapped air is exhausted from the water pipes and from the water heater.
9. Leak test the water piping. Repair any leaks immediately.

**8.3 Cold Water Connection**

Install and connect the cold water pipes.

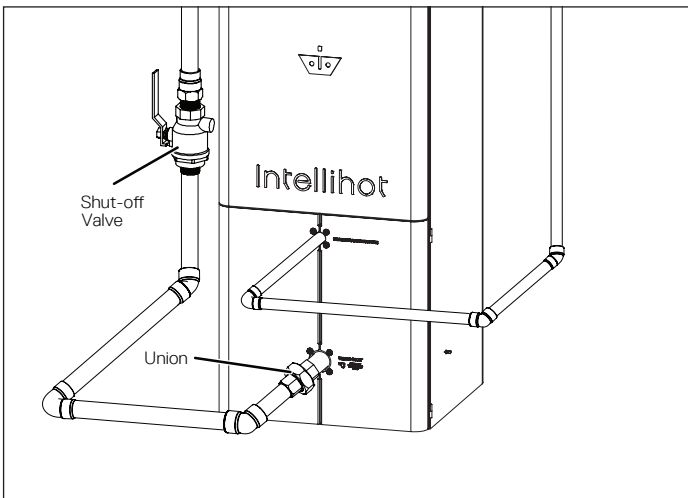
**Note 1:** If the incoming water is known to have a high mineral content or "hardness" (see "18. Warranty" on page 68), treatment is recommended upstream from the water heater.

When the water heater is installed in a closed loop recirculation system, and if the cold water supply pipe has a back flow preventer, then an expansion tank should be installed to allow for water expansion as per the diagrams in "3.7 Configuration Options" on page 9.

**CAUTION**

**To prevent adverse health issues, only materials (pipes, fittings, valves, solder, etc.) that are approved for use in potable water systems should be used.**

1. Connect a 1-1/2" NPT coupler to the water heater's cold water connection.
2. Install a 1-1/2" union connection.



3. Following local building codes, install a 1-1/2" manual shut-off valve with 1-1/2" NPT fittings.
4. Connect the unit to the existing cold water pipes.
5. Connect the unit to the building's cold water pipes. If multiple water heaters are being installed, the diameter of the main cold water pipe needs to be sized by an engineering professional.

**Note:** Isolation valve kits can be used if incoming water treatment is anticipated (such as a water softener) due to hardness levels or heavy usage of the unit.

6. With the unit OFF, open a nearby cold water faucet and allow the water to flow through the unit until all the trapped air is exhausted from the water pipes and from the water heater.
7. Leak test the water pipes. Repair any leaks immediately.

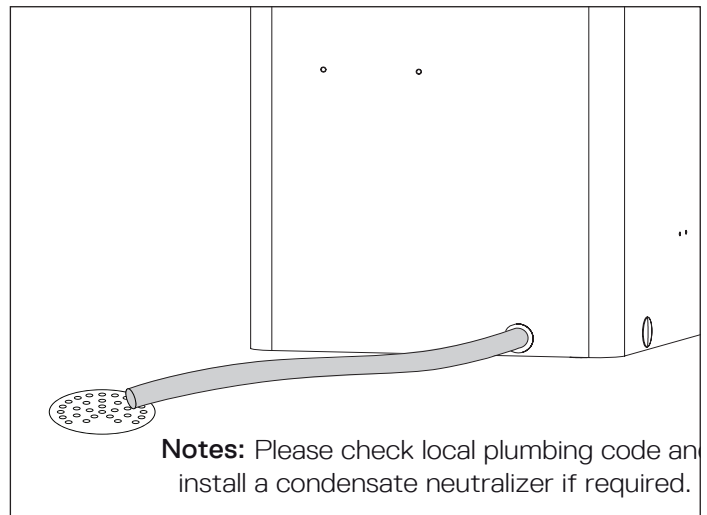
**8.4 Condensate Drain Line**

Due to its efficient design, the water heater produces condensate (water) as a normal by-product of heating the water.

This condensate is acidic, with a pH level between 3 and 4. Local building codes may require an in-line neutralizer to be installed (not included) to treat this water. The maximum condensate flow rate is 3.6 GPH.

1. Install a 3/4" flexible hose to the hose connection on the water heater.
  - a. If a floor drain is used to remove the discharge, route the drain hose over or into the drain.

**Note:** Ensure that the flex tube is not pinched or kinked. The tube should freely drain. The tube termination should not be immersed in water.



2. Follow applicable local codes and if required, install in-line neutralizer to treat the acidic condensate. Follow all the installation instructions included with the neutralizer.

## 9. Electrical Power

### 9.1 Electrical Recommendations

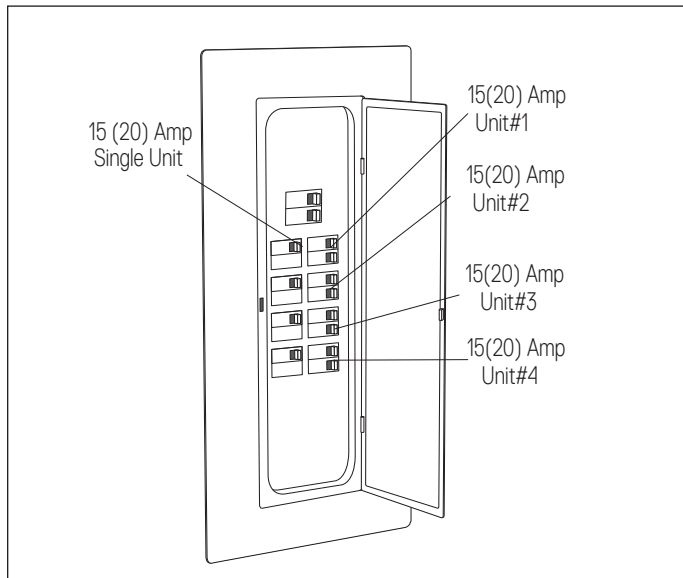
#### **WARNING**

To avoid serious injury or even death, follow all applicable local, state, and national regulations, mandates, and building codes for guidelines to install the electrical power supply.

Electrical code requirements are different in the USA and Canada. Refer to and follow the local building codes, the latest edition of the National Electrical Code (NFPA 70) in the USA, or the CGA C22.1 Canadian Electrical Code - Part 1.

For a single iN401 or iN501 water heater, the circuit breaker(s) should be at least 15 amps per circuit. Please follow the local electrical code in determining the appropriate breaker size.

For multiple units install an adequately sized circuit breaker. Installing a separate circuit breaker for each unit is required to isolate units during service or repair.



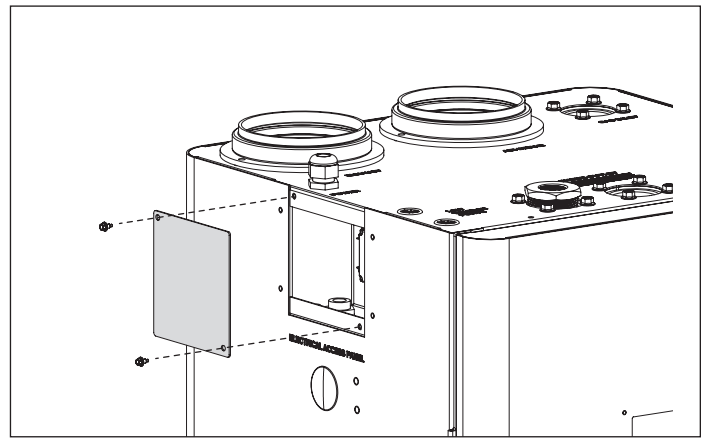
**Note:** For an electrical wiring schematic, refer to "15.2 Complete Wiring Diagram (all models)" on page 52 for additional information.

#### **NOTICE**

**The electrical connections for the water heaters are polarity sensitive. Before connecting the water heater to the power source, test the polarity of the electrical circuit.**

### 9.2 Connection Instructions

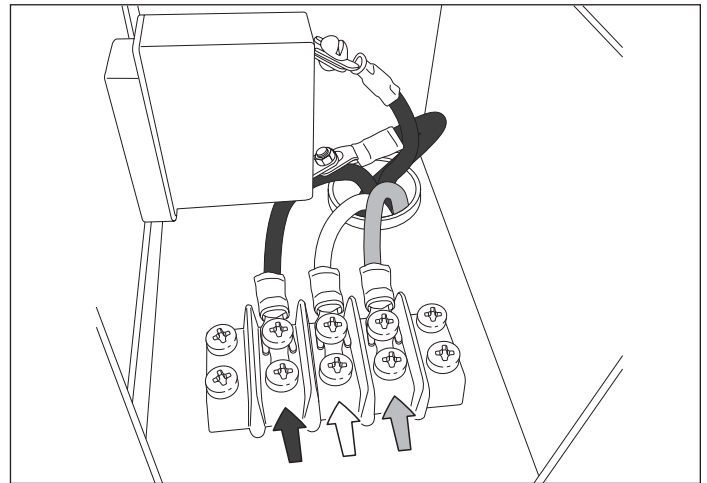
1. On single unit installations, make sure the electrical circuit being used is wired with appropriately sized wire (or at least 12 gauge) wire and grounded with an appropriately sized circuit breaker. Please note that the wire size varies based on the breaker size. The electrical power required for the water heater is 120V AC at 60 Hz.
2. Remove the two cover screws and open the cover.



#### **WARNING**

To avoid serious injury or even death from electrical hazards, an additional ON/OFF electrical junction box should be installed near the water heater. This switch will allow power to be removed from the water heater prior to service or in the case of an emergency.

3. Route a customer-supplied appropriately-sized, wire with ground from an electrical junction box with an ON/OFF switch through the back panel of the water heater. Route the wire through the cabinet to the junction box.
4. On the opposite side of the block from the factory installed wiring, connect the white wire to the white terminal, the black wire to the black terminal, and the green ground wire to the green terminal (for each circuit).



5. If multiple units are being installed, install each with a dedicated, appropriately sized circuit breaker. For installing multiple units, refer to "13. Connecting Multiple Units" on page 47 for additional information.

## 10. Adjusting CO<sub>2</sub> Level

### 10.1 General Information

This procedure is required:

- 1) only during installation in a high-altitude location over 8,000 feet, or
- 2) when converting the unit from natural gas to propane.

This procedure should be performed only by a qualified technician.

## ⚠ DANGER

A concentration of carbon monoxide (CO) as small as 0.04% (400 parts per million) in the air can be fatal. When making High Fire and/or Low Fire adjustments, CO levels must be monitored using a flue gas analyzer and must not exceed 400 ppm of CO at any time during the operation.

Adjusting the “Low Fire screw” or the “High Fire screw” even in small increments can result in a significant increase in CO concentration. To avoid serious injury or death, DO NOT make any adjustments to the gas valve without monitoring the exhaust gases with a functional and calibrated flue gas analyzer.

CO <sub>2</sub> and CO Standards		
Description	CO <sub>2</sub> Range (%)	Max. CO Level (ppm)
<b>Natural Gas</b>		
High Fire	9.1% to 9.3%	< 200 ppm
Low Fire	9.1% to 9.3%	< 60 ppm
<b>Propane</b>		
High Fire	10.1% to 10.5%	< 200 ppm
Low Fire	10.1% to 10.5%	< 60 ppm

## NOTICE

1. The values listed in the table are for nominal conditions. Variables such as gas pressure, heating value of the gas, humidity, and temperature of combustion air can impact CO and CO<sub>2</sub> values. Changes in these variables can result in different CO and CO<sub>2</sub> values on the same water heater.
2. A qualified service technician must use a calibrated flue gas analyzer to adjust the gas valve to achieve the desired CO<sub>2</sub> and CO values.
3. Before any adjustments are made, the service technician must confirm the static gas pressure meets these minimum requirements.

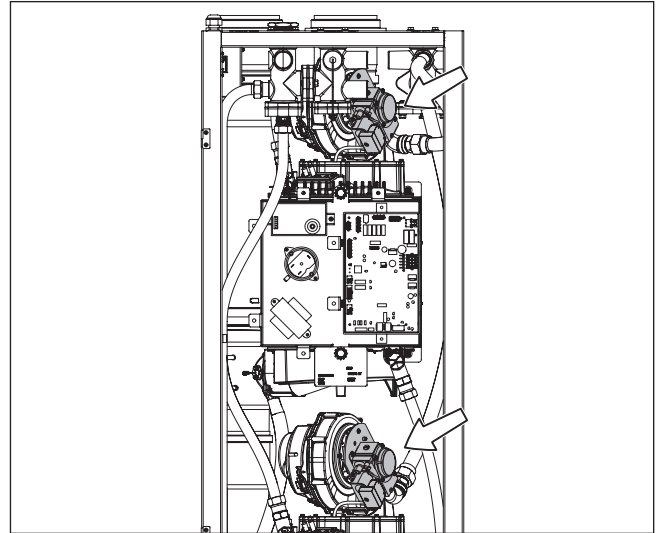
**Natural Gas - 8" W.C.**

**Propane - 11" W.C.**

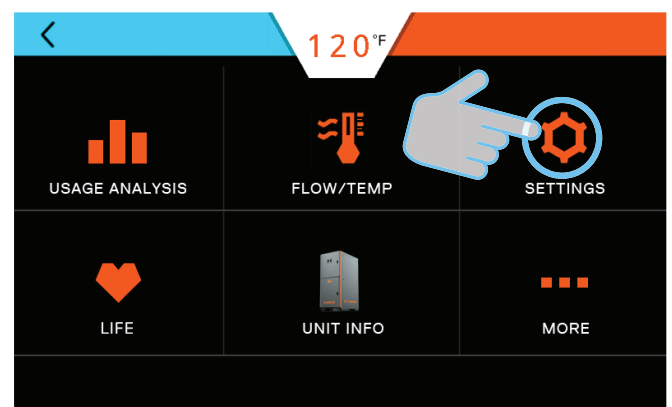
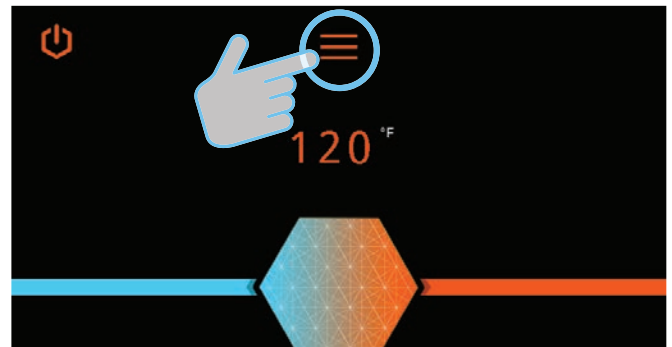
4. If units are **cascaded and common vented**, then combustion must be performed only one unit at any given time. Please valve off the hot water outlet of other units and power off them before performing combustion.

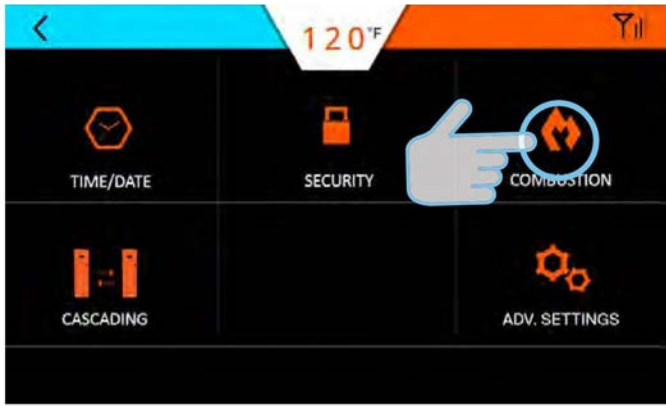
### 10.2 Adjustment Procedure

1. Open or remove the front doors.
2. Locate the gas valve on each heat engine. There are two heat engines.

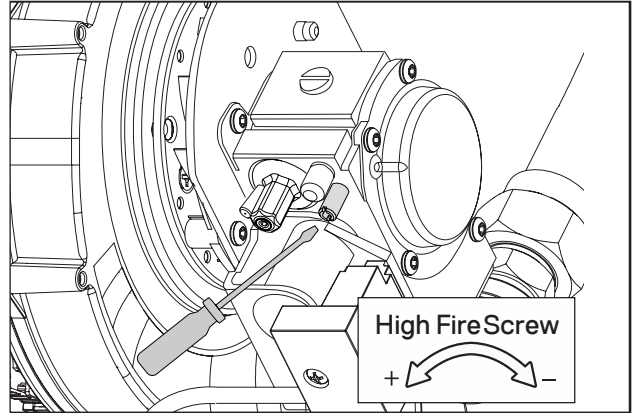


3. Remove the plug from the test port on the exhaust manifold. Insert a calibrated flue gas analyzer into the test port.
4. Follow the display screens.





9. If the CO<sub>2</sub> values are within appropriate range, proceed to Step 10, otherwise continue.
  - a. Use a flat blade screwdriver to turn the High Fire screw clockwise to decrease and counterclockwise to increase the CO<sub>2</sub> value.
  - b. Adjust in ¼ turn increments.
  - c. Wait three minutes to stabilize flue gas readings and recheck values.
  - d. Adjust until values fall with specified range.



10. Once the desired values are achieved, record the new High Fire CO<sub>2</sub> “adjusted values” in the table.

CO <sub>2</sub> and CO Standards		
Description	CO <sub>2</sub> Range	Max. CO Level
Natural Gas High Fire	9.1% to 9.3%	< 200 ppm
Propane High Fire	10.1% to 10.5%	< 200 ppm

High Fire Recorded Values		
Date ____ / ____ / ____		
Heat Engine (TOP)	Initial Output	Adjusted Value
CO <sub>2</sub> Value %		
Max CO ppm		
Heat Engine (BOTTOM)	Initial Output	Adjusted Value
CO <sub>2</sub> Value %		
Max CO ppm		

11. From the display screen, press Bottom Heat Engine and repeat the High Fire procedure for all heat engines.

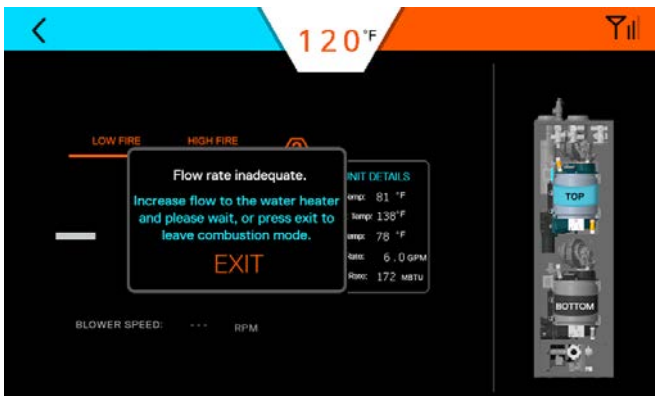
## NOTICE

**Do NOT change the blower speed settings. This adjustment MUST be performed by factory personnel ONLY. Changing this setting WILL VOID the warranty!**

5. Create a hot water flow of at least 6.0 GPM as shown on the display screen.



**Note:** If flow rate is inadequate, a pop-up message will notify to increase the flow.



6. At a flow rate of 6.0 GPM, Top Heat Engine will start.
7. Allow three minutes of operation at High Fire.
8. Record “initial output” in High Fire Recorded Values table.

12. Press LOW FIRE on the display screen.

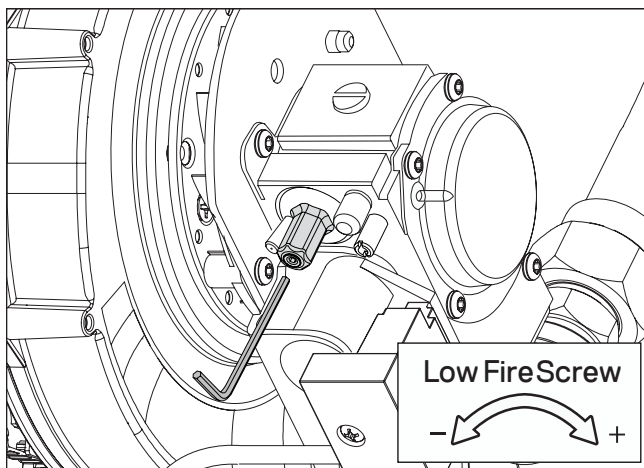


13. Record "initial output" in Low Fire Recorded Values table.

CO <sub>2</sub> and CO Standards		
Description	CO <sub>2</sub> Range	Max. CO Level
Natural Gas Low Fire	9.1% to 9.3%	< 60 ppm
Propane Low Fire	10.1% to 10.5%	< 60 ppm

Low Fire Recorded Values		
Date ____ / ____ / ____		
Heat Engine (TOP)	Initial Output	Adjusted Value
CO <sub>2</sub> Value %		
Max CO ppm		
Heat Engine (BOTTOM)	Initial Output	Adjusted Value
CO <sub>2</sub> Value %		
Max CO ppm		

14. Adjust the Low Fire screw while the burner operates at low fire using a 2mm hex wrench. Turn clockwise to increase CO<sub>2</sub> and counterclockwise to decrease CO<sub>2</sub>.



15. Once the desired values are achieved, record the new Low Fire CO<sub>2</sub> "adjusted values" in the table.

16. From the display screen, press Bottom Heat Engine and repeat the Low Fire procedure for all heat engines.



17. When all heat engines have been properly adjusted, turn off water flow.

18. Remove the flue gas analyzer probe and plug the test port.

19. Press the back button to return to the main screen.

20. Check for gas leaks using a leak detector.

21. Install side panel covers. If converting to propane, proceed to section "11. Natural Gas to Propane Conversion" on page 34.

# 11. Natural Gas to Propane Conversion

**SAFETY INSTRUCTIONS**

A qualified service technician **MUST** make the required changes to convert the water heater from Natural Gas to Propane.

## 11.1 General Information

**Note:** This conversion process also requires the CO<sub>2</sub> levels to be adjusted. Refer to "11. Natural Gas to Propane Conversion" on page 34 for instructions.

Before converting the unit for propane, verify the current gas inlet pressure meets the recommended pressure and record it in the space below.

Propane Static Gas Pressure	
Parameters	Specifications
Minimum Static Gas Pressure	8" W.C. (non-corrugated, black iron)
Recommended Gas Pressure	11" W.C.
Maximum Static Gas Pressure	13" W.C.

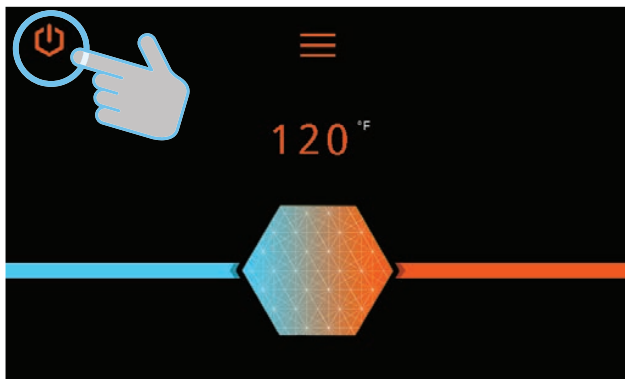
Current Static Propane Gas Pressure \_\_\_\_\_ W.C.

Date \_\_\_\_\_

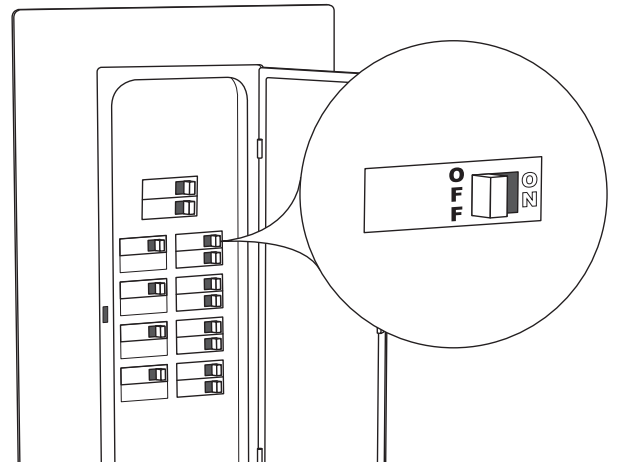
**Note:** This conversion process also requires the CO<sub>2</sub> levels to be adjusted. Refer to "10. Adjusting CO<sub>2</sub> Level" on page 31 for instructions.

## 11.2 Conversion Procedure

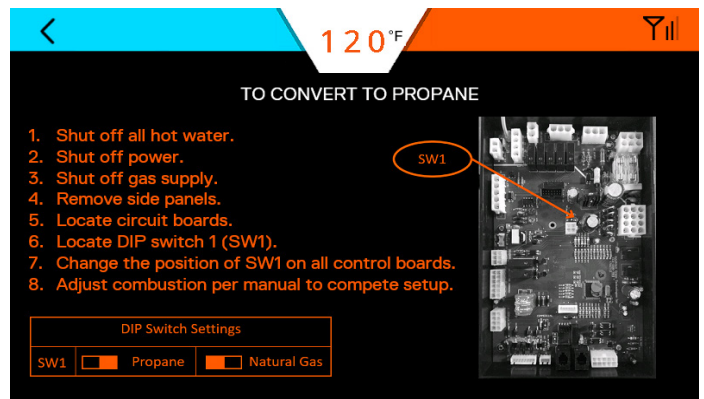
1. Follow these steps before repositioning the DIP switches.
  - a. Turn the water heater OFF using the display screen.



- b. Place the circuit breaker for the water heater at the main electrical panel in the OFF position. Verify there is no power to the unit(s).



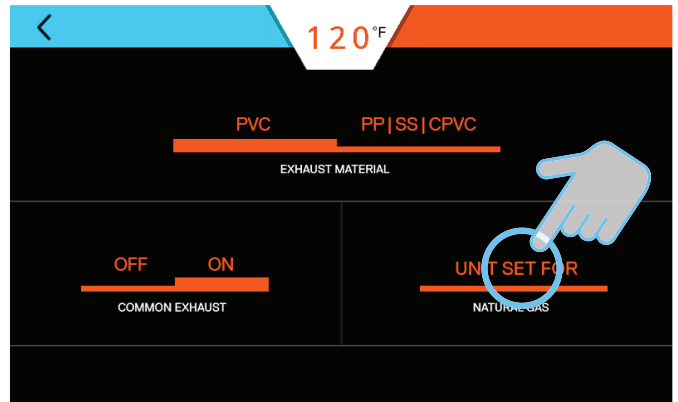
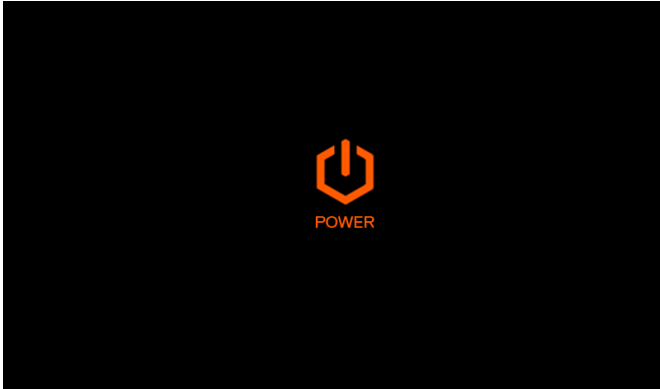
- c. Open the front door and locate the main circuit board.
- Note:** There are two control boards in the iN401/iN501.
- d. Locate DIP Switch 1 on each of the two circuit boards.



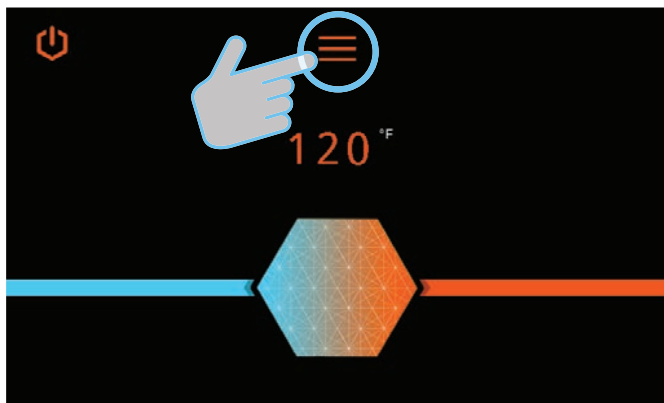
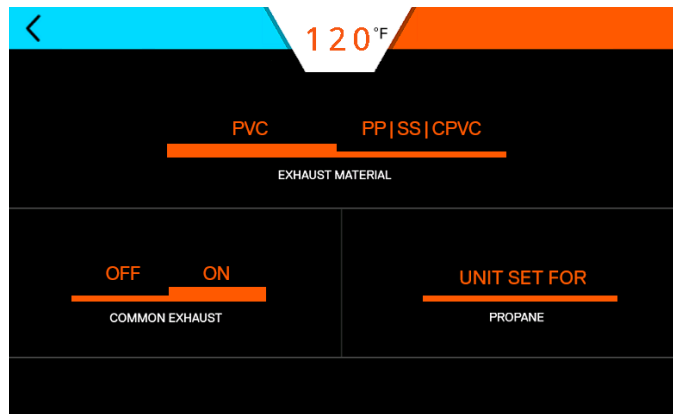
- e. Move each DIP switch downward into the Propane position.

DIP Switch Settings (Réglages des commutateurs DIP)		
SW1	ON ↓ Propane	ON ↑ Natural Gas (Gaz naturel)

f. Reset the circuit breaker to the ON position. Turn the water heater ON using the display screen.



2. Follow the display screens to check if the unit is now set to propane.

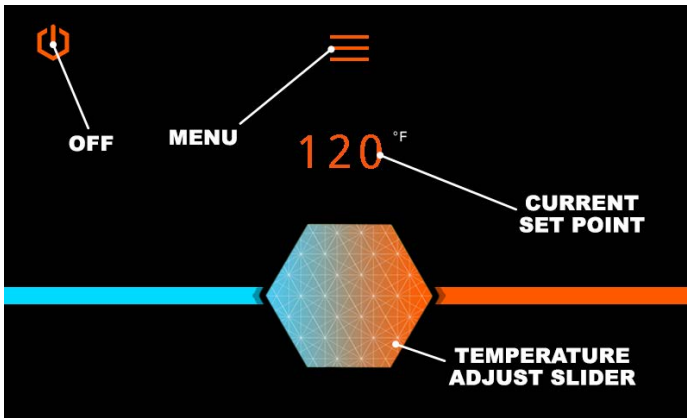


3. Refer to section "10. Adjusting CO<sub>2</sub> Level" on page 31 in this manual for instructions to adjust CO<sub>2</sub> levels.

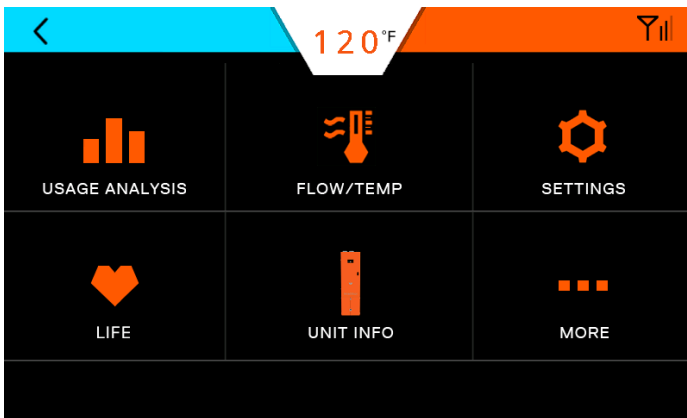


## 12. Operation

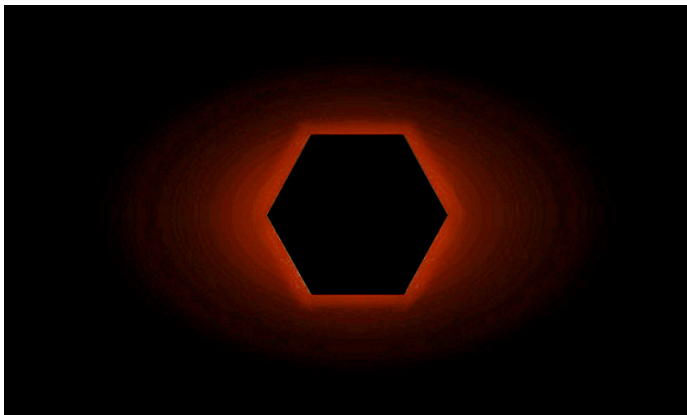
### 12.1 Control Panel



Main Menu Screen



Selecting the Menu button brings up this screen.



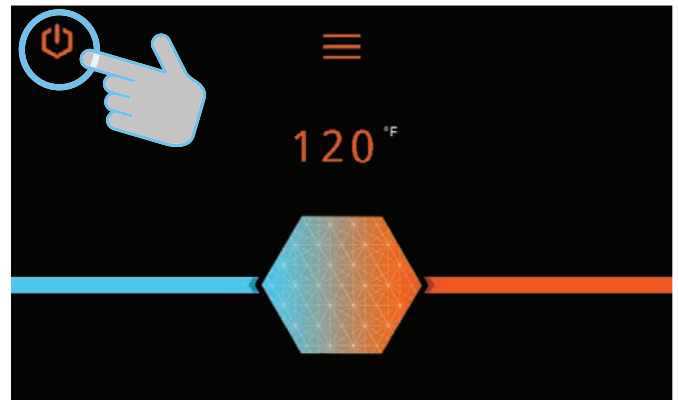
A sleep mode screen will appear after a period of inactivity.

### 12.2 Turning Water Heater ON and OFF

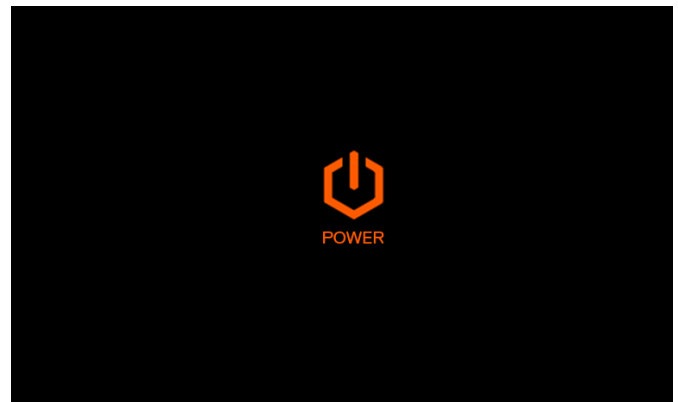
1. When power is applied to the water heater or the electrical switch is turned ON, the Main Menu screen will automatically appear.



2. To turn the water heater OFF, press and hold the Power button in the upper left of the screen.



3. Press the Power button to turn the unit ON.

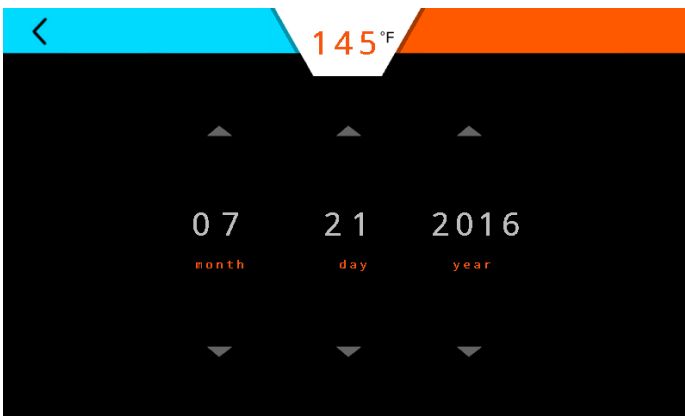
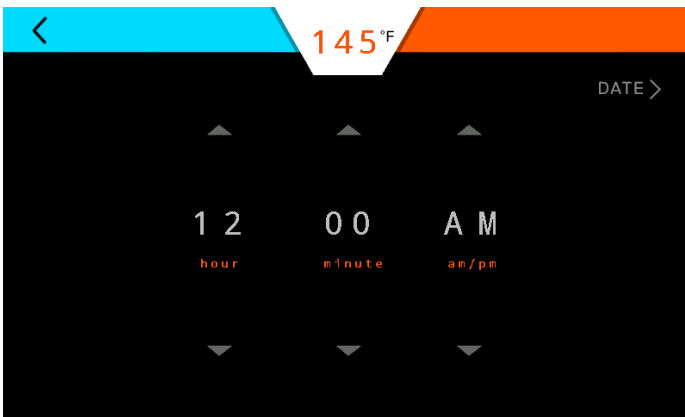
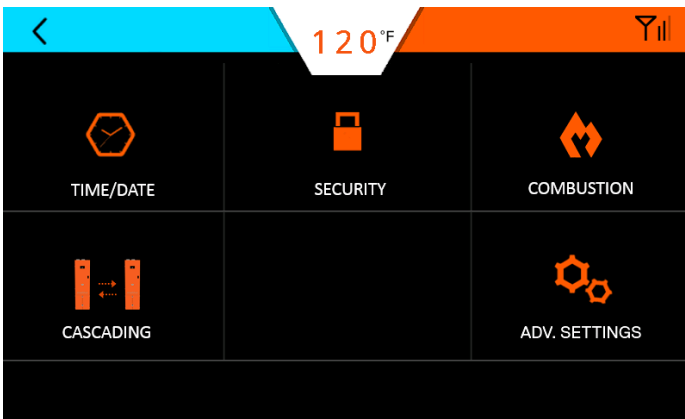
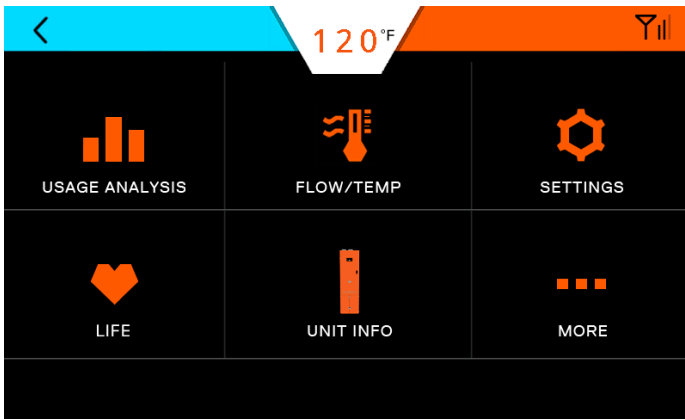


### **! WARNING**

Turning the unit OFF does not disconnect it from the power source. Whenever working around electrical components within the water heater, turn off the power at its source. Touching live electrical components can cause serious injury or death.



## 12.3 Setting the Time

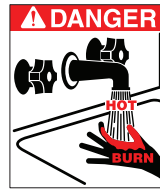


Press the Up/Down arrows to make adjustments. Press the Back button to return to the main screen.

## 12.4 Adjusting the Water Temperature

**Note:** The outlet water temperature is factory preset to 120°F, however these commercial water heaters are capable of heating water to 190°F.

### **⚠ DANGER**

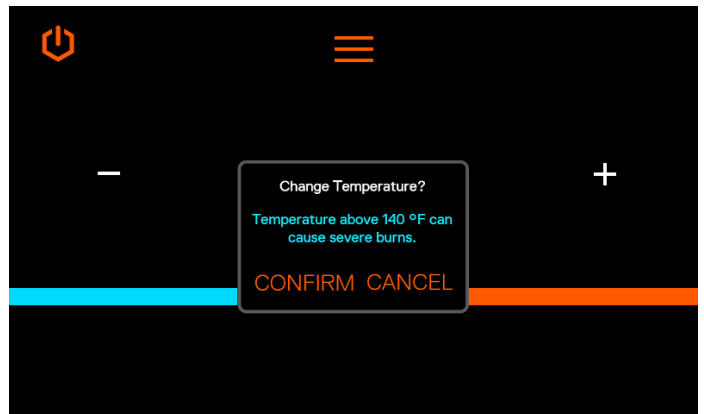
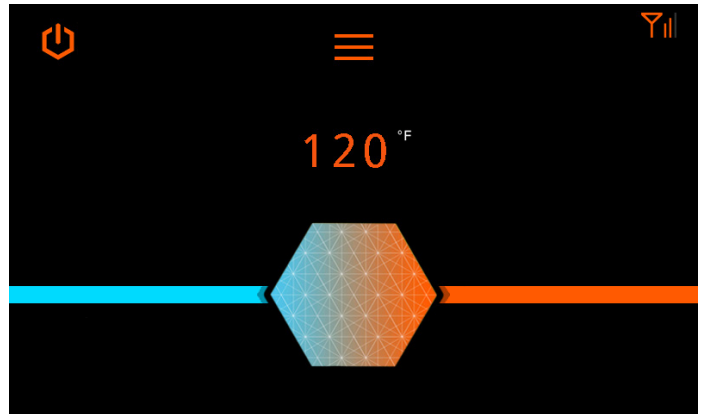


Hot water temperature over 125°F (52°C) can cause severe burns instantly or death from scalding. Children, the disabled, and the elderly are at the highest risk of being scalded. Do not leave children or the infirm unsupervised. Check temperature of hot water before taking a shower or bath.

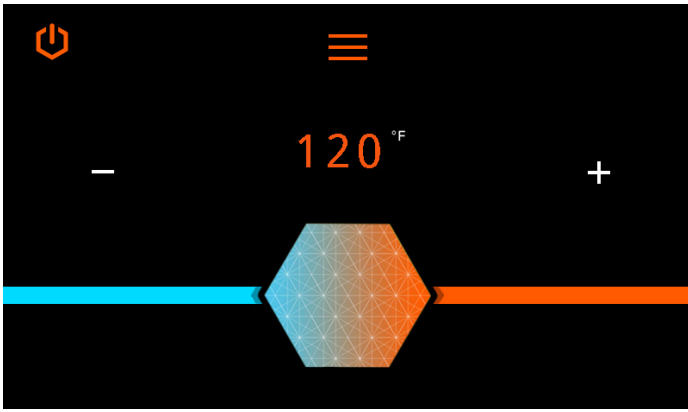
To control water temperature to a particular faucet, temperature limiting valves can be installed by your service professional.

**All water faucets must be closed before changing the temperature setting. The unit must not be operating.**

1. Firmly press the (+) and (-) to increase or decrease the temperature by 5°F. Firmly hold the icon until the display reaches the desired temperature.



2. For finer temperature adjustments, tap the (+) and (-) icons to change the temperature by 1°F.



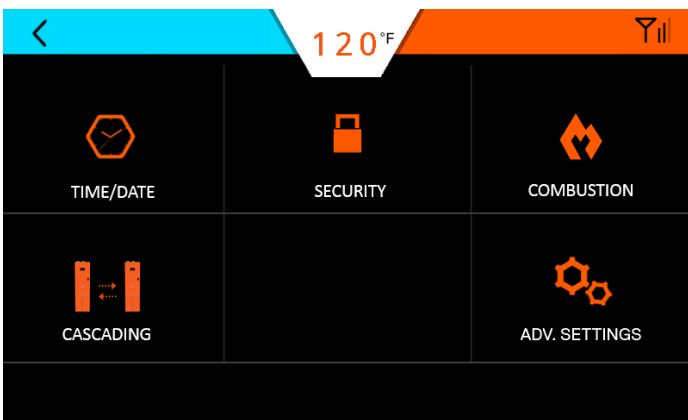
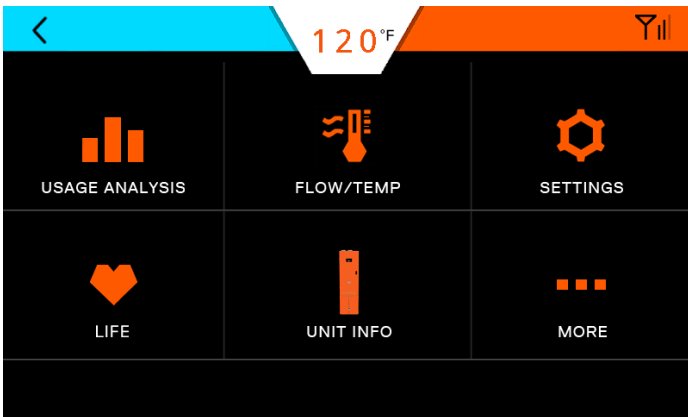
3. Follow any prompts shown on the screen.

## 12.5 Security

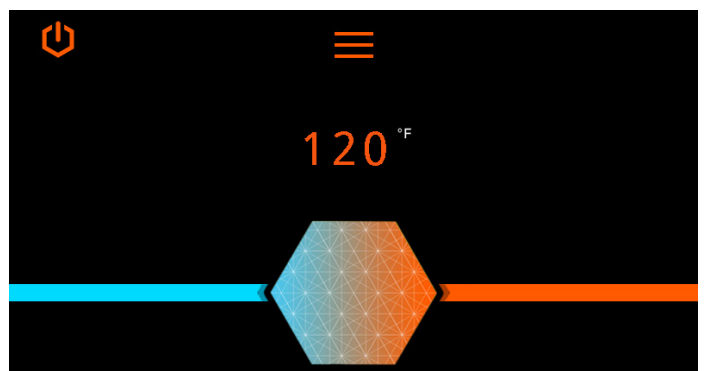
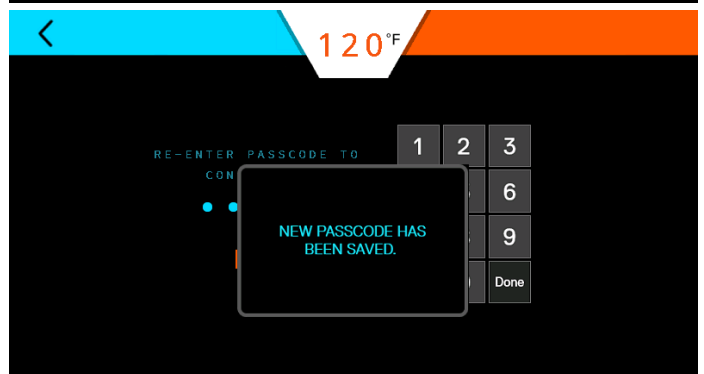
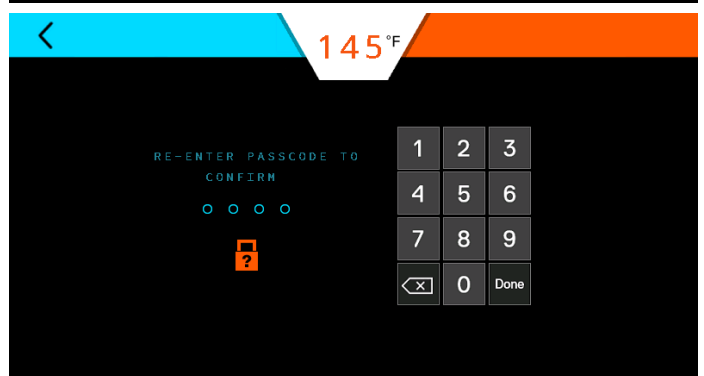
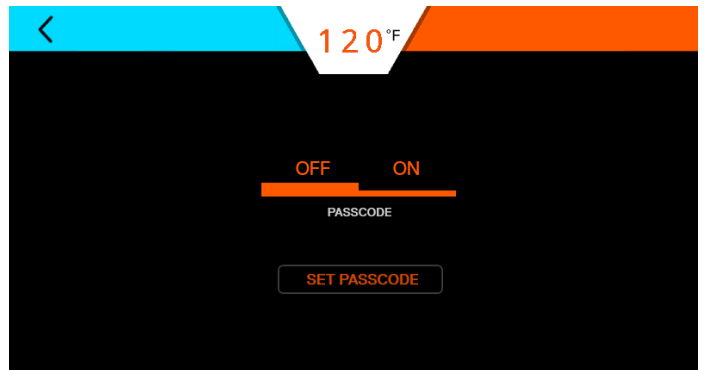
### 12.5.1 Setting Passcode Protection

It is not necessary to set a passcode for the water heater to function properly. This feature is available to help prevent unauthorized access to the unit.

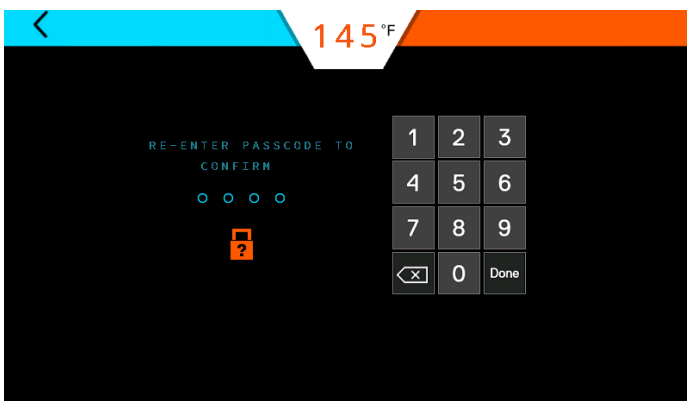
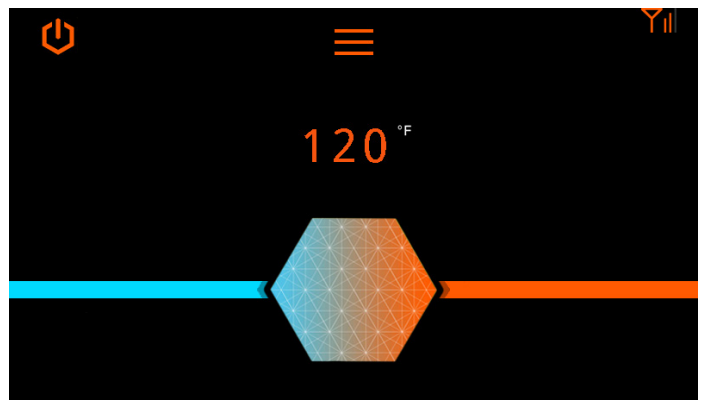
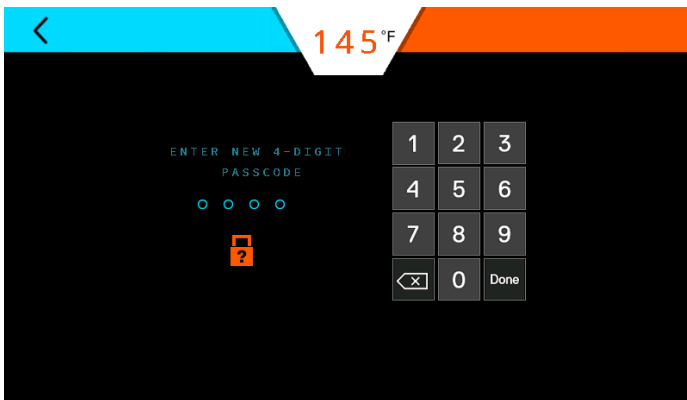
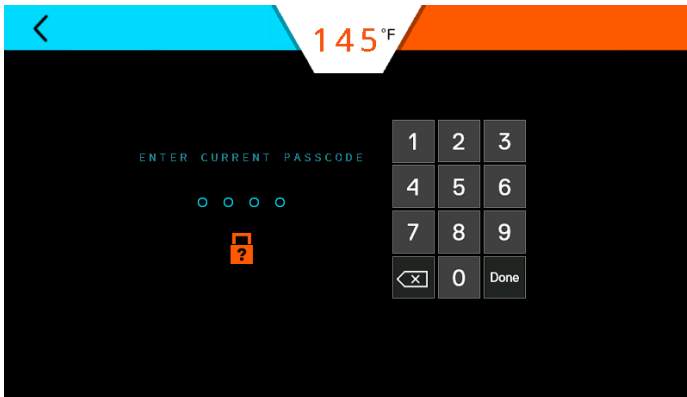
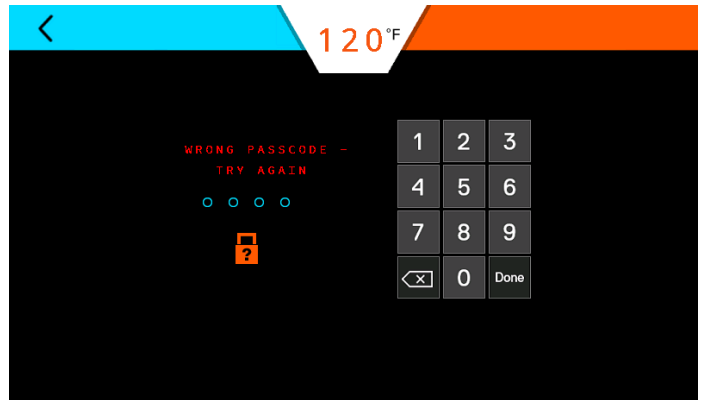
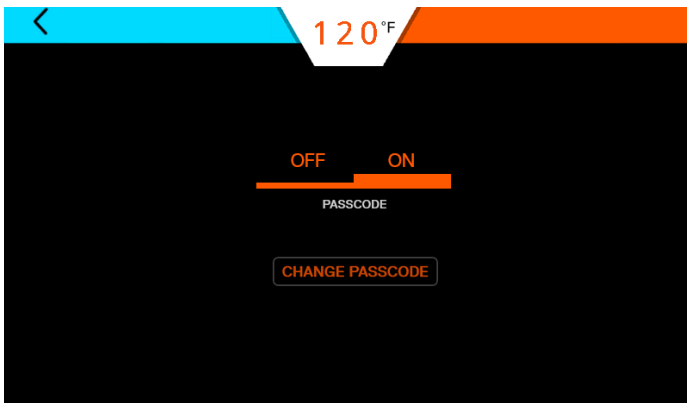
If a passcode is set, it must be entered prior to accessing the main screen.



Press ON/OFF and follow the prompts.

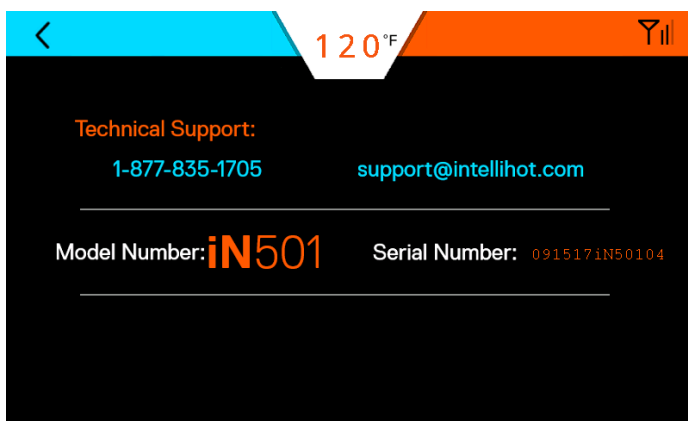
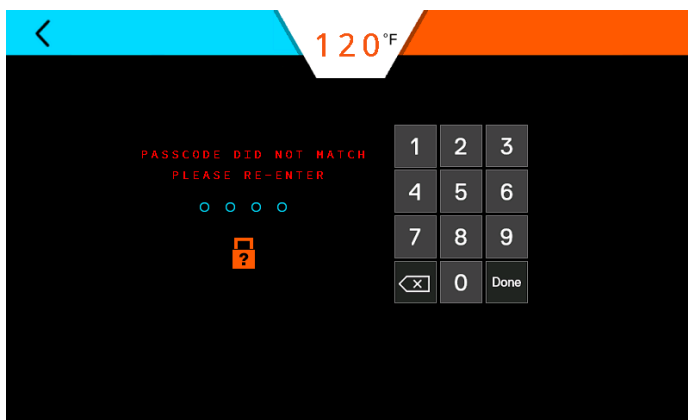
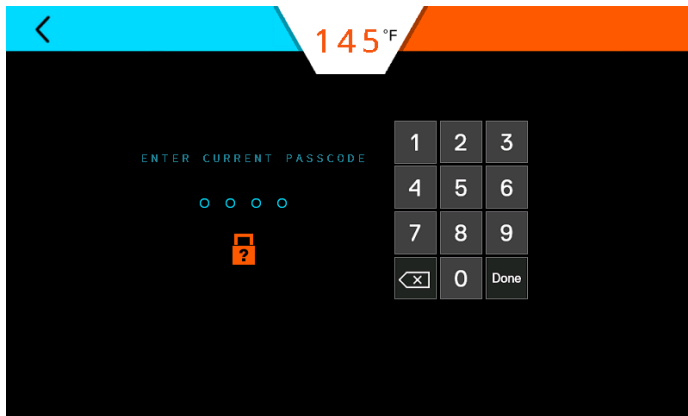


## 12.5.2 Changing Passcode



### 12.5.3 Forgot Passcode

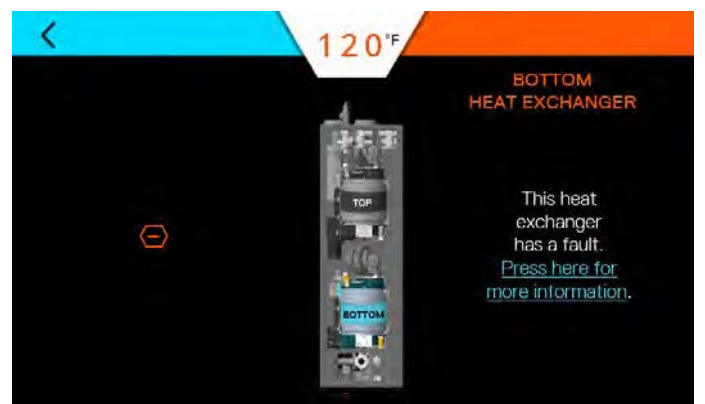
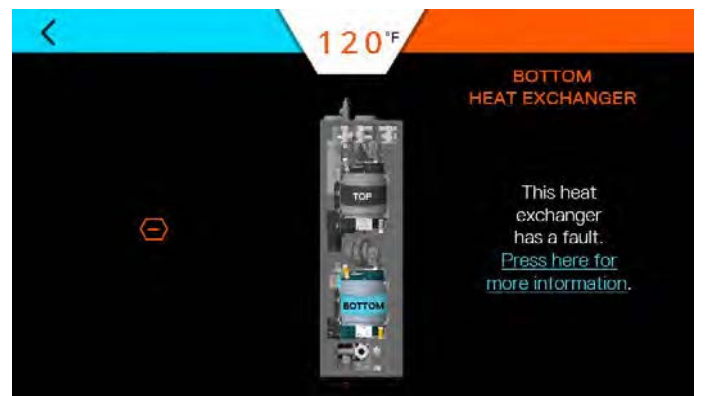
If the unit passcode is lost or forgotten, press the “?” icon and call technical support.



### 12.6 NOT USED

### 12.7 Temp / Flow

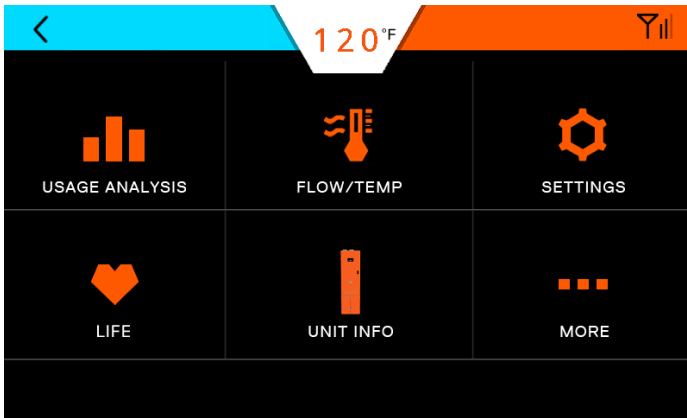
Provides the general operating parameters of each heat engine.



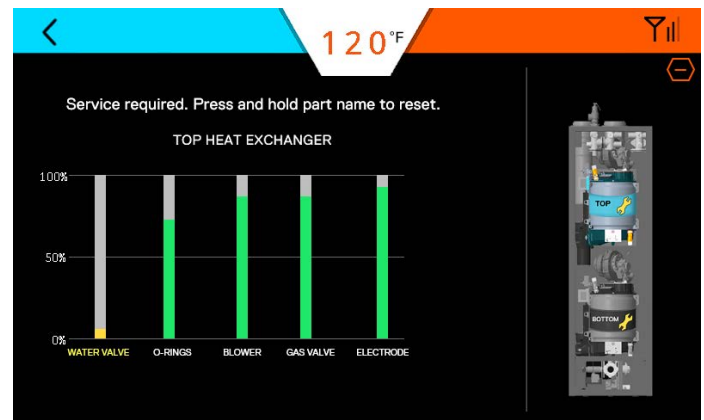
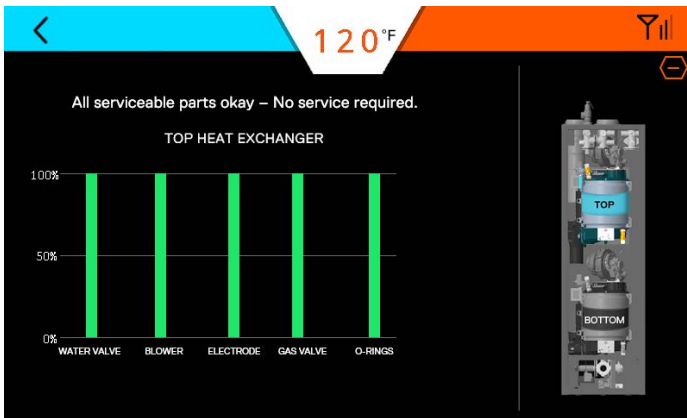
## 12.8 Life Screen

These screens provide a visual indication of the remaining life of various components.

**Note:** Parts can be ordered by contacting technical support.



**Service recommended:** Order appropriate replacement part as soon as possible. To reset life, press and hold the appropriate bar and follow the prompts.

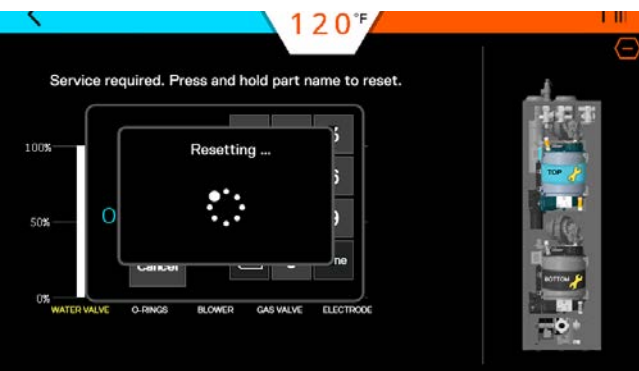
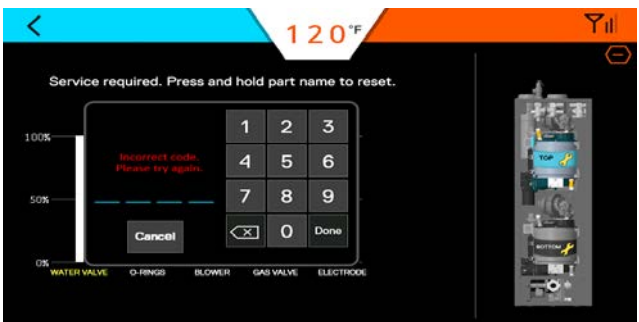
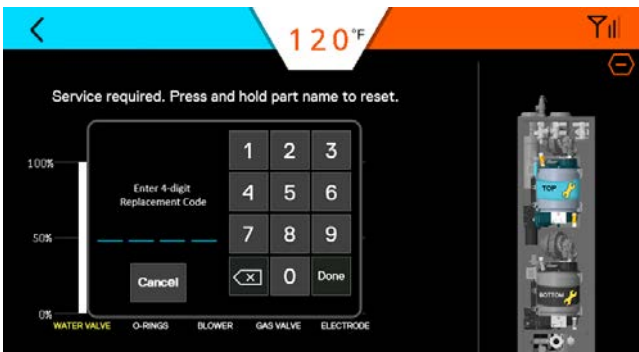
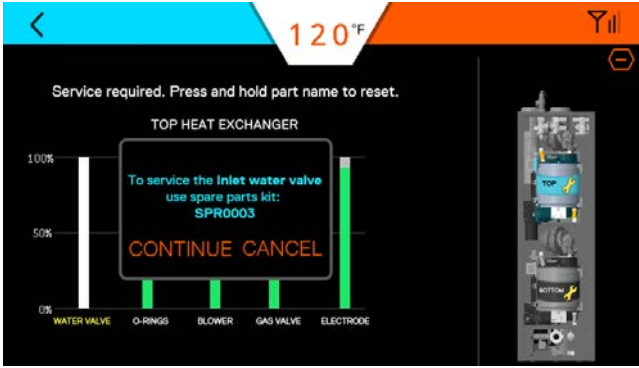


**Service required:** Take IMMEDIATE action when this screen appears because the part life is critical. To reset life, press and hold the appropriate bar and follow the prompts.

Press the (+) button to show the details of the various heat engines.



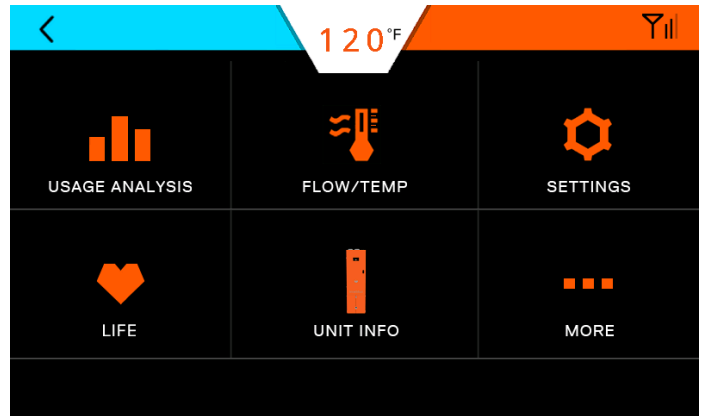
When a part is replaced, the screens will provide replacement part information and a screen to reset the service meter for the part being replaced.



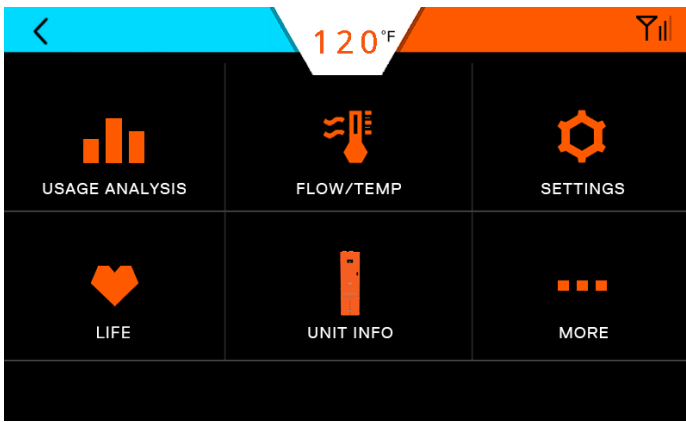
Service Alert	Reset Code
Electrode	0836
Blower	2009
Time Valve (Water Valve)	0721
Gas Valve	0682
O-Ring (at the HEX inlet & HEX outlet)	0310
Internal Pump	6452

## 12.9 Unit Information

This screen provides the model, software version, serial number, and a link to the contact us screen for the water heater.

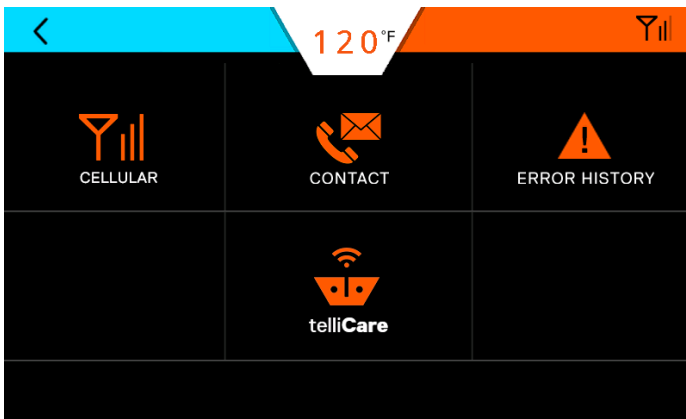


## 12.10 More Screens



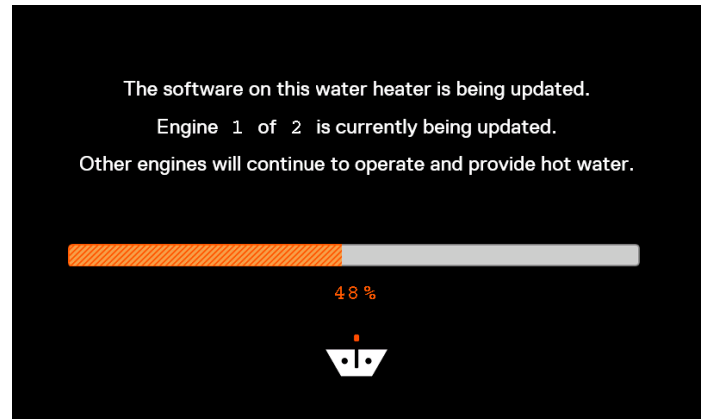
### 12.10.1 Cellular

Intellihot Gen II water heaters are cellular capable. This feature also allows the units to be monitored and controlled from a mobile device.



Status of cellular connection screens.

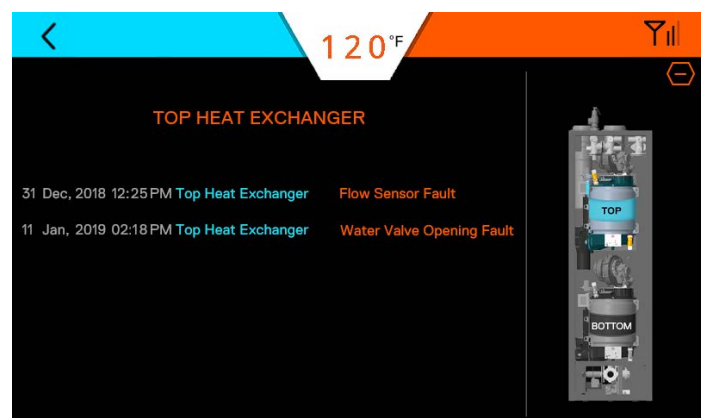
Whenever software updates are being made the following screens will appear.



### 12.10.2 Error History



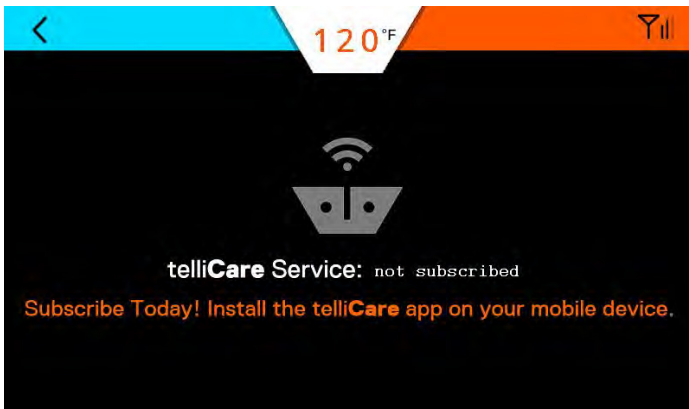
There are two error history screens. One screen provides an overview of the entire unit. Pressing the (+) icon provides more detailed error information.



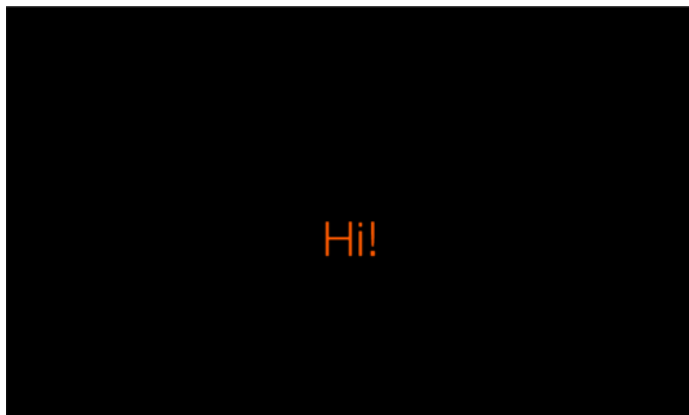
### 12.10.3 telliCare Service (Subscribe at Startup)

telliCare is a cellular enabled, prognostics and predictive maintenance service for Gen II water heaters. This service allows water heaters to be monitored and controlled remotely via an app on a mobile device.

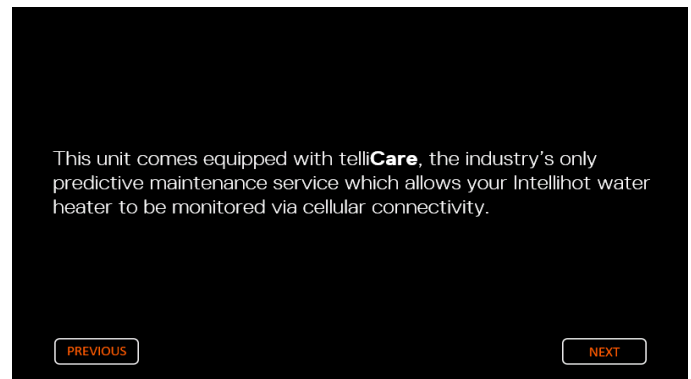
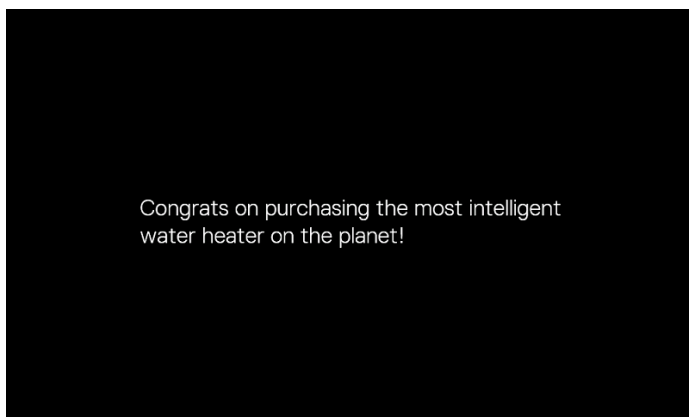
Subscribe to this service by downloading the telliCare app from iTunes App Store and following the prompts on the app.



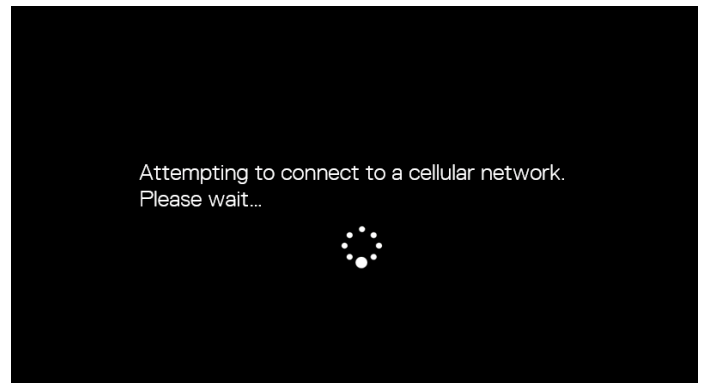
Upon startup the following screens appear.



1. Tap anywhere on the screen to continue.



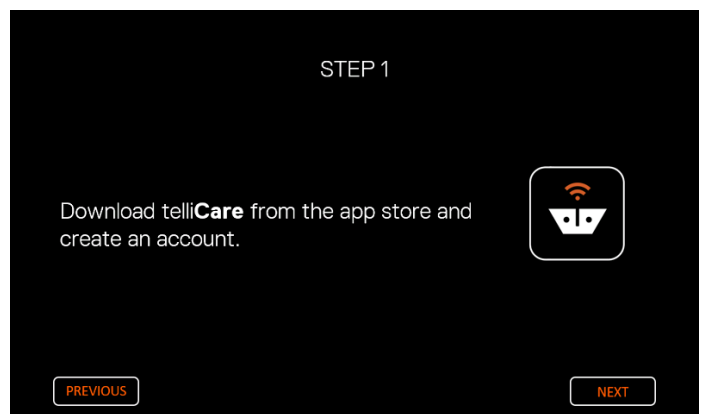
2. This screen appears as the unit is trying to find a cellular connection.



3. If the unit is unable to find a connection, this screen appears.




4. If the unit is able to find a connection, the following screens appear.





STEP 2

Add this unit to your account by pressing the "+" in the top right hand corner.



PREVIOUS
NEXT

STEP 3

Scan the QR Code using the telliCare mobile app.



PREVIOUS
NEXT

You have successfully connected this unit to telliCare, allowing your unit to be monitored and controlled remotely through the app on your mobile phone.

---

5. If for some reason the setup is not completed, the following screen appears:

Oops... Setup is not complete for this unit to be added to the telliCare app on your mobile device.

Not to worry, this can be completed at a later time.

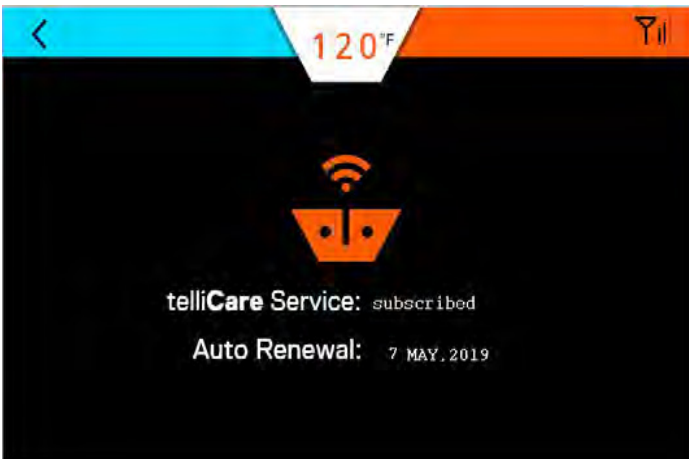
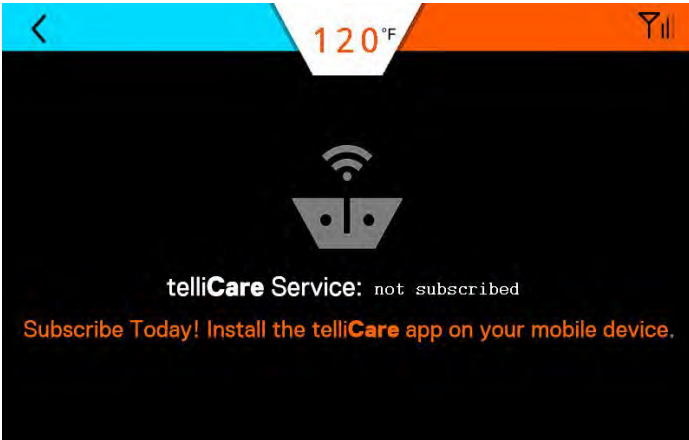
PREVIOUS
SKIP SETUP

6. **Note:** Each individual unit must be registered and each unit can only be registered once.



The screenshot shows the telliCare app interface. At the top, there is a navigation bar with a back arrow on the left and a temperature display of 120°F on the right. Below the navigation bar is a grid of six menu items, each with an icon and a label: CELLULAR (cellular tower icon), CONTACT (envelope icon), ERROR HISTORY (warning triangle icon), QR CODES (QR code icon), and telliCare (robot head icon). The bottom-most item is a solid orange bar.

7. Once the service is set up, various status screens provide the expiration date of the service and if it is on an auto renewal schedule.



## 13. Connecting Multiple Units

### 13.1 General Information

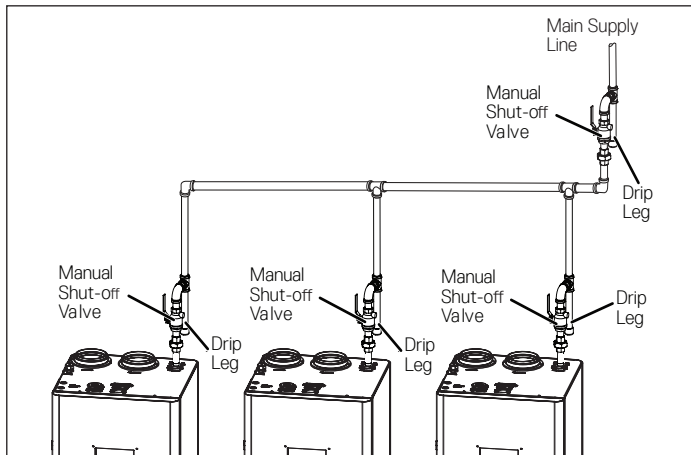
Multiple units can be connected together to supply large demands of hot water.

The water heaters communicate through a cable connection between each water heater. The benefits of connecting the units are:

- When demand for hot water is low, fewer units will operate.
- If one unit has an error code, the others will continue to operate.
- Changing the settings (temperature, time, etc.) on one unit changes settings on all the units.
- It allows shut down of one unit for maintenance while the others continue to operate.

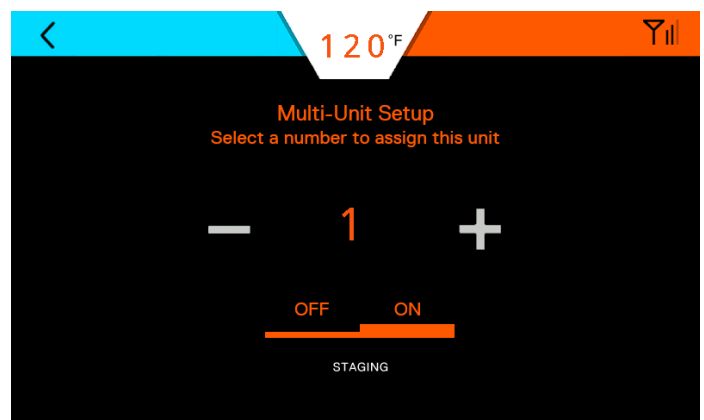
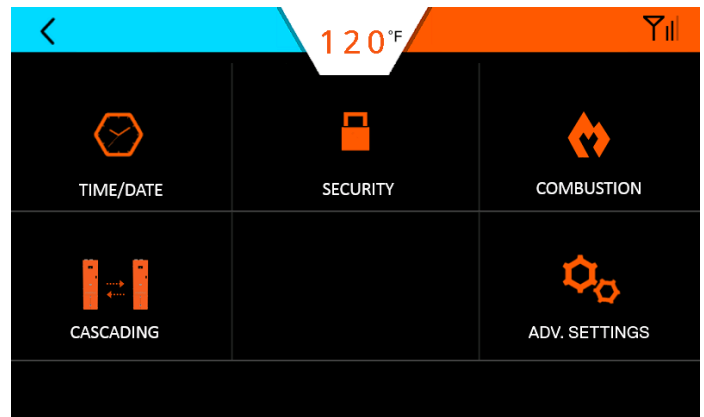
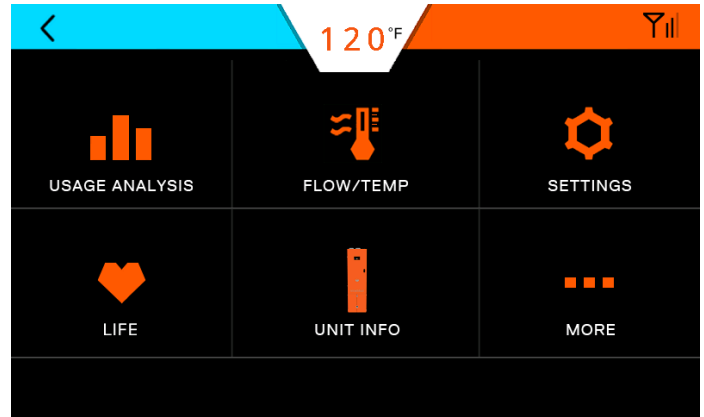
### 13.2 Installation Procedure

1. Connect all the units to a gas supply pipe. Make sure the pipe is properly sized in accordance with the BTU draw and number of units being operated. Refer to "6. Gas Connection" on page 14 for additional information.
2. Connect all the units to the power supply. Refer to "9. Electrical Power" on page 30 for additional information.



3. Install the combustion (fresh) air intake and exhaust outlet pipes. Refer to "7. Air Intake Inlet and Exhaust Gas Outlet Pipe Connections" on page 19 for additional information.
4. Install and connect the hot water lines. If an optional hot water storage tank is required, connect the hot water lines to this tank. Make sure the water pipe is properly sized in accordance with the number of units being operated.
5. Install and connect the cold water lines. Make sure the water line is properly sized in accordance with the number of units being operated.
6. Connect and route the condensate drain lines to a suitable discharge location. Refer to "8. Water Connections" on page 28 for additional information.
7. **Do Not** connect communication cables at this time.

8. Power up all the units and assign a unique number, one through four to each unit. Set the STAGING to ON.



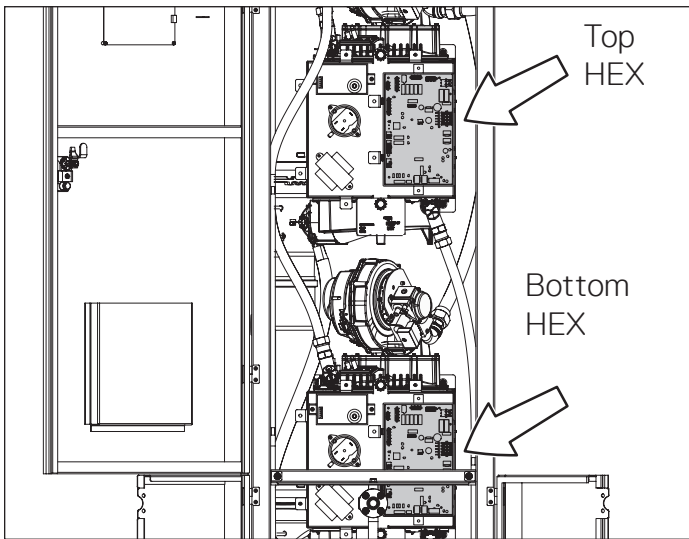
**NOTE:** It is necessary to wait a minimum of 30 seconds here



**Before making any adjustments or connections inside the water heater cabinet, make sure the power is disconnected. Unplug the water and/or turn the circuit breaker OFF.**

9. If necessary, press the Power button to turn OFF each water heater in the system and disconnect power from all the units in the system.

10. Open the front door and locate the main circuit boards.



iN401/iN501 have 2 Circuit Boards.

Neuron Cascading		
Model (Max Number of Cascaded Units)	iN401	iN501
iN401	Yes (Max 4 units)	Yes (Max 4 units)
iN501	Yes (Max 4 units)	Yes (Max 4 units)
All other Models (i200, i250, iQ251, iQ251D, iQ751, iQ1001, iQ1501, iQ2001, and iQ3001)	Not supported	

- Connect the included communication cable from an open jack on the circuit board in one unit to an open jack in the next unit. Repeat this step as required by the number of water heaters being connected.
- On the first water heater, locate DIP Switch 3 on circuit board 1. Position the switch in the ON position (left) as shown in the table below.
- Position all other switches on the circuit boards in the unit to the OFF position (right).
- On any water heater unit between the first and last unit, Unit 2 and/or Unit 3, position all DIP SW3 switches in the OFF position (right).
- On the last water heater, locate DIP Switch 3 as shown in the table below.
- Once the communication cables are routed and connected and the DIP switches are correctly positioned, close and lock the front door.
- Reconnect the power and turn the water heater ON. The water heaters, should now be ready to communicate with each other and operate as a single system.

**Note:** Whenever a change is made to any one water heater, all the other units in the system will be automatically updated to the new settings.

### 13.2.1 telliCare for Multiple Units

If cascading multiple units, if software version is 205 or earlier, the cellular module on all units shall be installed as it is. **If software version is 205(iN501)/105(iN401) or earlier, please do not remove the cellular module. This step is different from our current Wi-Fi based models.**

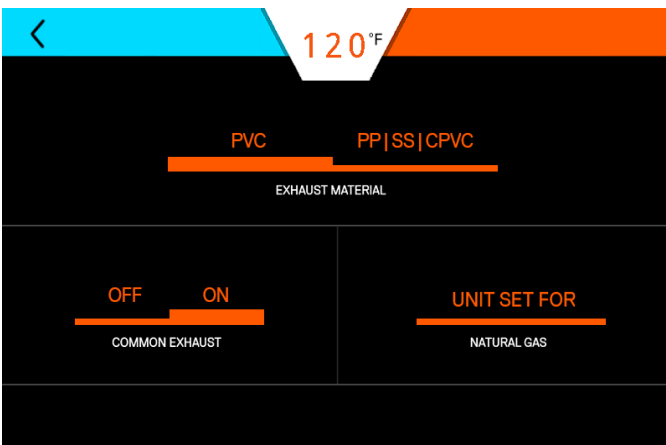
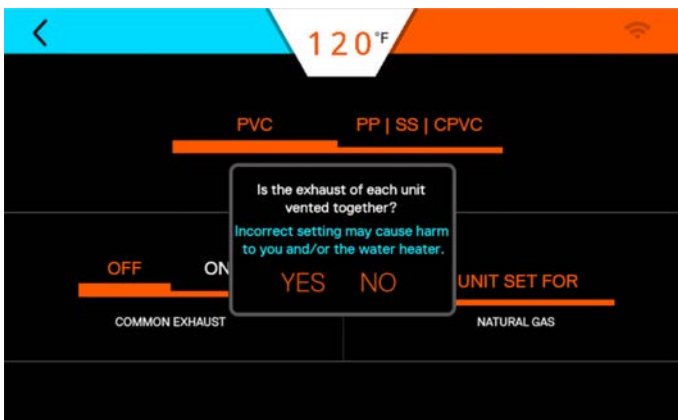
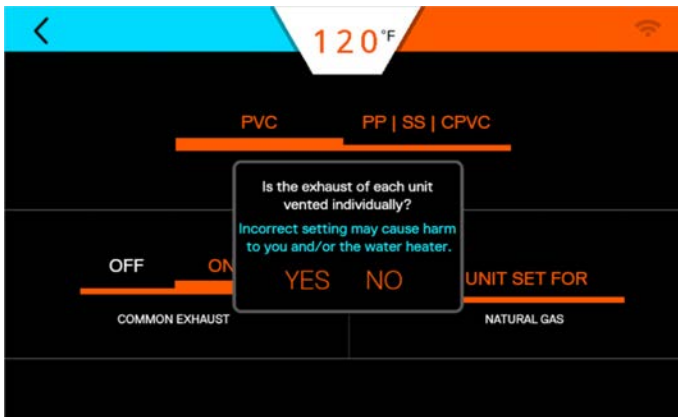
Cascade Termination DIPSW 3 Setting (2 units)			Cable Connection	Note
Model	DIP SW 3 ON (up)	DIP SW 3 OFF (down)	Cascade cable connects from Unit#1 Top HEX to Unit#2 Top HEX	If software version is 205/105 or earlier, please do not remove the cellular module.
Unit# 1	Bottom HEX	Top HEX		
Unit# 2	Bottom HEX	Top HEX		

Cascade Termination DIPSW 3 Setting (3 units)			Cable Connection	Note
Model	DIP SW 3 ON (up)	DIP SW 3 OFF (down)	1. Cascade cable connects from Unit#1 Top HEX to Unit#2 Cellular module (near Bottom HEX)  2. Cascade cable connects from Unit#2 Top HEX to Unit#3 Top HEX	If software version is 205/105 or earlier, please do not remove the cellular module.
Unit# 1	Bottom HEX	Top HEX		
Unit# 2		Top HEX & Bottom HEX		

Cascade Termination DIPSW 3 Setting (4 units)			Cable Connection	Note
Model	DIP SW 3 ON (up)	DIP SW 3 OFF (down)	1. Cascade cable connects from Unit#1 Top HEX to Unit#2 Cellular module (near Bottom HEX) 2. Cascade cable connects from Unit#2 Top HEX to Unit#3 Cellular module (near Bottom HEX) 3. Cascade cable connects from Unit#3 Top HEX to Unit#4 Top HEX	If software version is 205/105 or earlier, please do not remove the cellular module.
Unit# 1	Bottom HEX	Top HEX		
Unit# 2		Top HEX & Bottom HEX		
Unit# 3		Top HEX & Bottom HEX		

### 13.3 Venting for multiple units

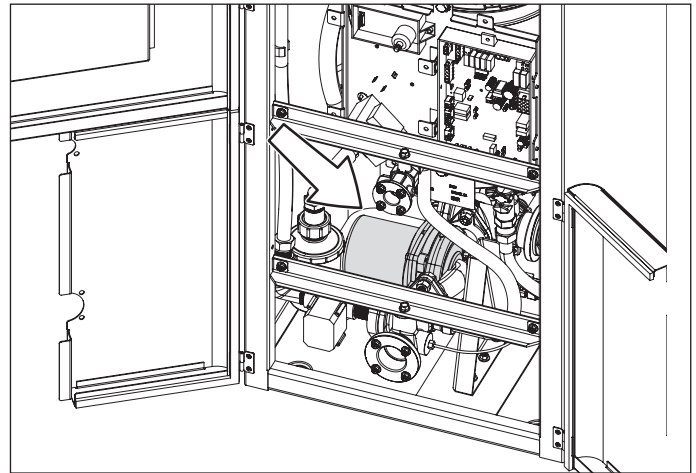
When venting for multiple units the following screens will appear.



## 14. Maintenance

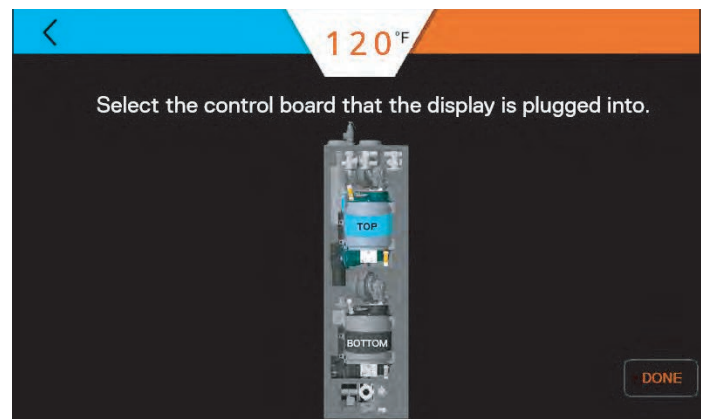
### 14.1 Maintenance-Free Circulation Pump

The circulation pump is maintenance-free and therefore does not require any servicing. The only adjustment is the speed setting, which must be set to Speed 3 (III).



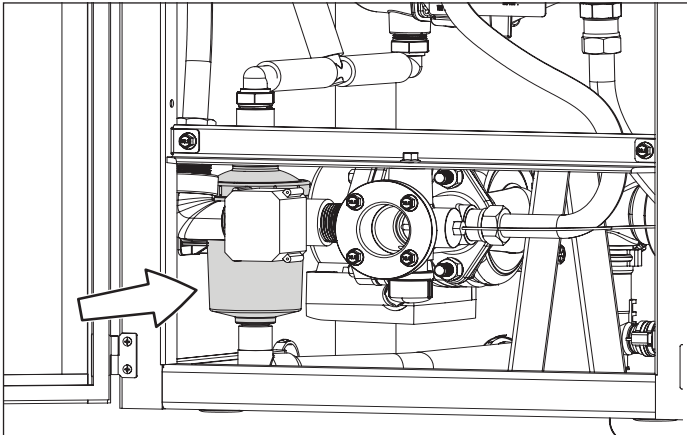
### 14.2 Heat Engine Locations

Use the following diagrams to identify the location of the heat engines.

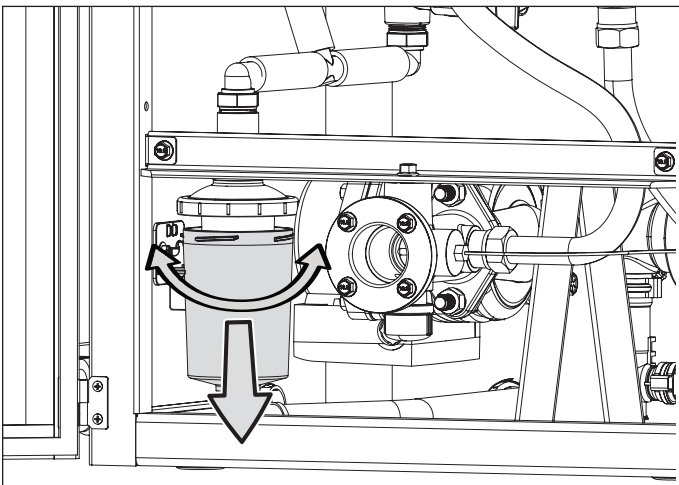


### 14.3 Condensate Sediment Cup Cleaning

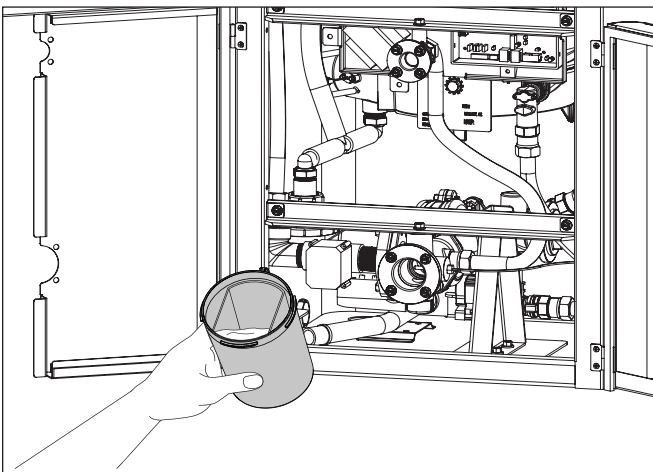
One sediment cup is located inside the water heater cabinet. This cup should be removed and cleaned **every 3 months**.



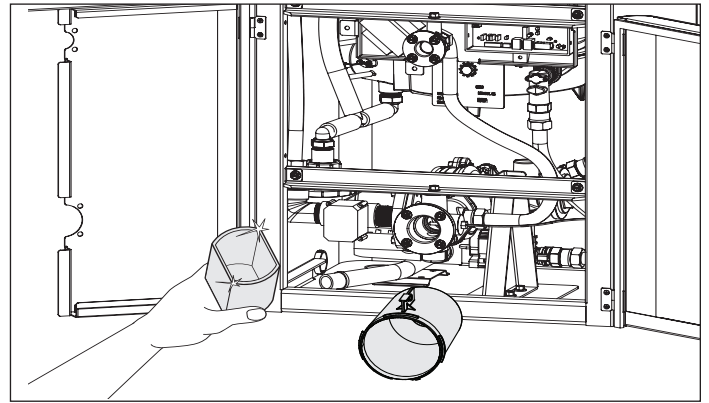
1. Twist the bottom of the sediment cup to release the locking clips.



2. Pull down on the sediment cup and pull it away from the upper portion of the unit. The sediment cup will normally be full of condensate. Carefully, pour the condensate into a container and properly dispose of it.



3. Remove the inner sediment cup from inside the lower portion of the unit.



4. Remove any dirt and debris build-up using soap and warm water.
5. Replace the inner sediment cup and reattach the entire unit.

### 14.4 Wye Strainer

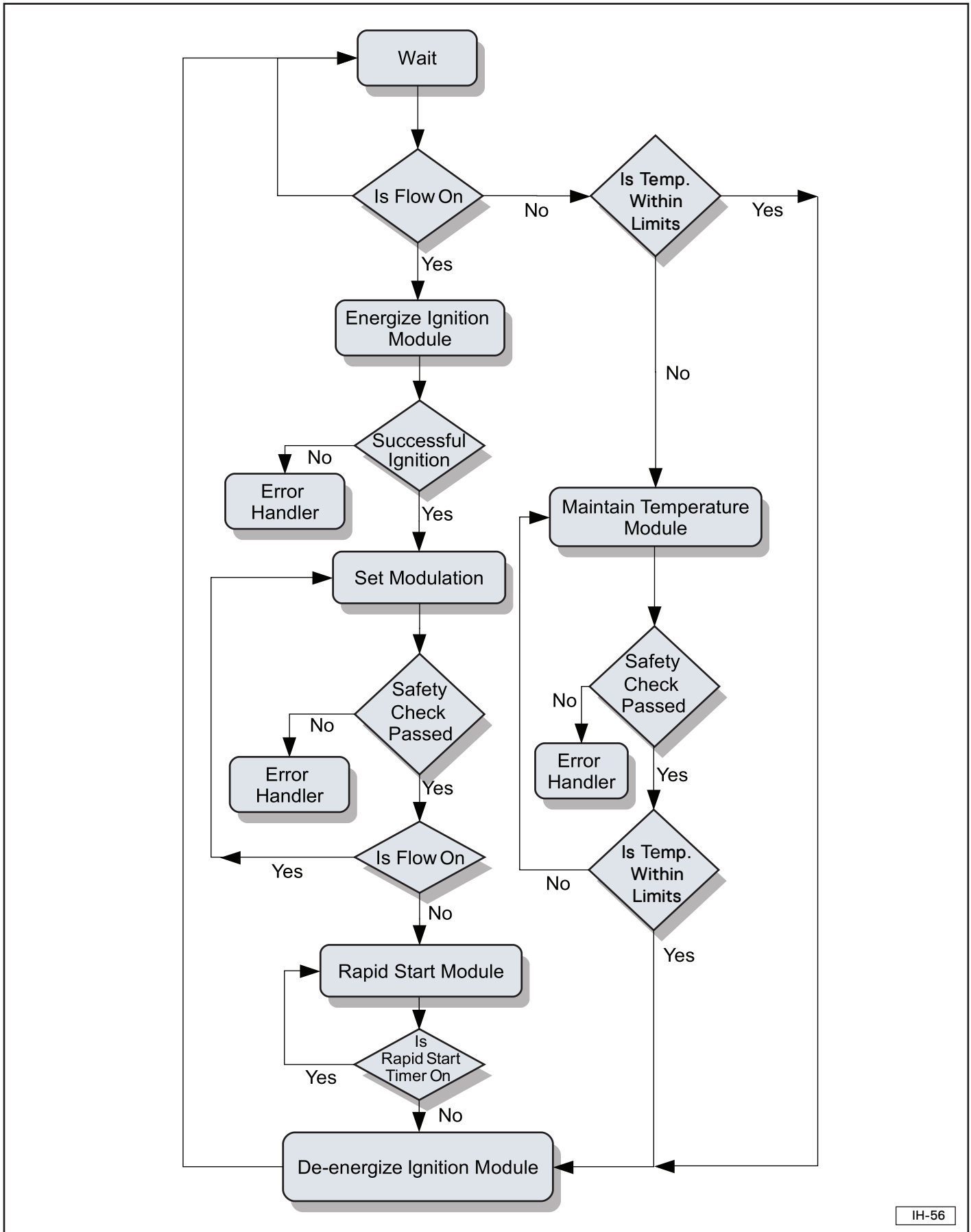
#### **NOTICE**

This heater includes an external Wye strainer. The Wye strainer must be installed to qualify for unit warranty.

1. Please clean the Wye strainer every **3 months**.

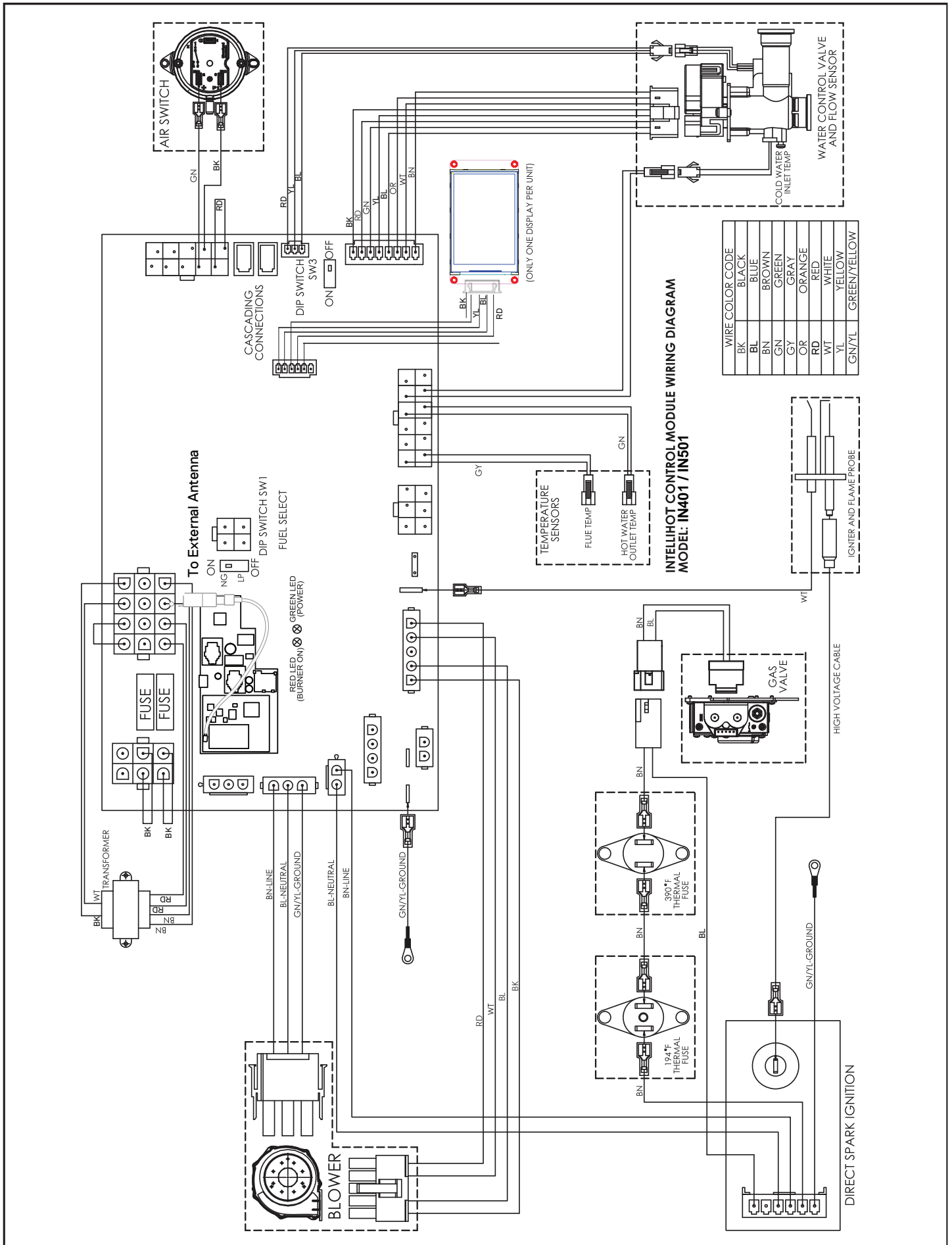
# 15. Wiring Diagrams and Troubleshooting

## 15.1 Operational Flow Chart

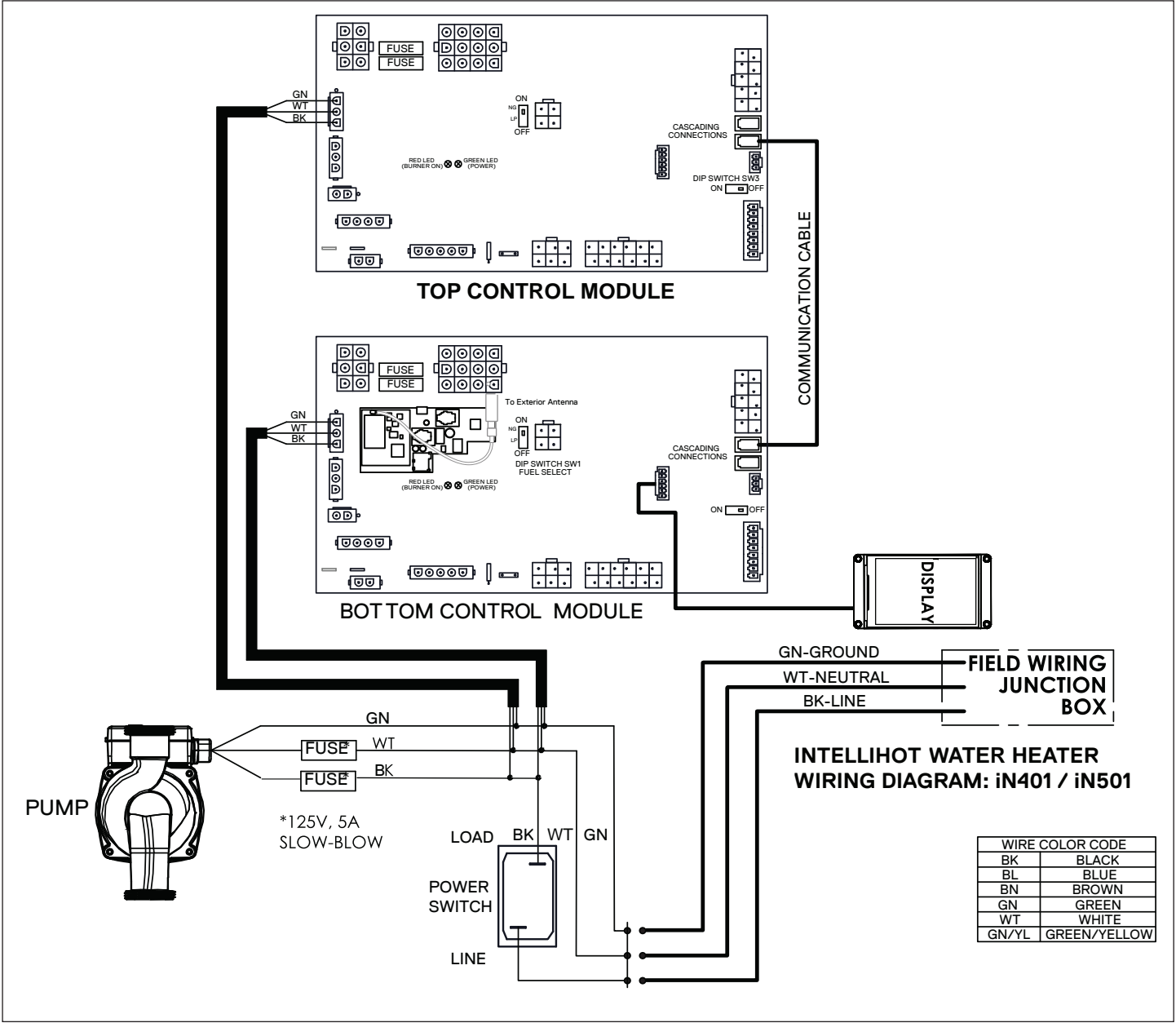


IH-56

## 15.2 Complete Wiring Diagram (all models)















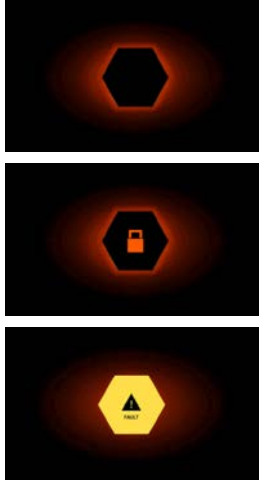
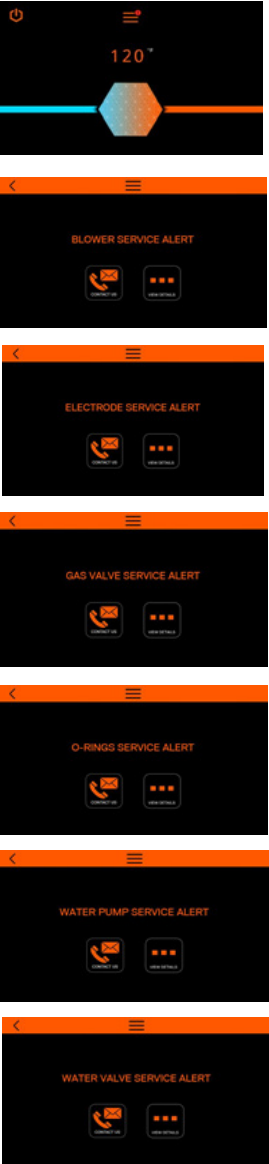
## 15.3 Troubleshooting Guide

Description	Possible Cause	Remedy
<p><b>Blower</b></p> <p>Speed Fault</p> 	<ul style="list-style-type: none"> <li>Blower noisy / impeller jammed.</li> <li>Disconnected signal wire.</li> <li>Wiring faulty.</li> </ul>	<ul style="list-style-type: none"> <li>Inspect blower / impeller. Clean and remove any obstructions.</li> <li>Check PWM signal. Check for loose wires / pins, and repair.</li> <li>If the problem persists, turn control panel OFF, shut gas valve, disconnect power from unit, and contact an authorized service technician.</li> </ul>
<p><b>Igniter</b></p> <p>Ignition Fault</p> 	<ul style="list-style-type: none"> <li>Water over-heat switch tripped.</li> <li>Faulty DSI, faulty igniter wire, faulty ignition connection, faulty PCB, bad igniter.</li> <li>Low gas pressure.</li> <li>Wiring faulty.</li> </ul>	<ul style="list-style-type: none"> <li>Check pump, check cross-over solenoid. Electrical noise (DSI).</li> <li>Replace part.</li> <li>Adjust gas pressure at regulator, check / increase size of gas line, check for gas line blockage.</li> <li>If the problem persists, turn control panel OFF, shut gas valve, disconnect power from unit, and contact an authorized service technician.</li> </ul>
<p><b>Open Sensors</b></p> <p>Inlet / Outlet Sensor</p>  	<ul style="list-style-type: none"> <li>Unplugged connectors.</li> <li>Faulty sensor wiring.</li> <li>Faulty sensor.</li> <li>Heat engine water outlet temperature sensor.</li> <li>Flue temperature sensor.</li> <li>Inlet water temperature sensor.</li> <li>Faulty controller.</li> </ul>	<ul style="list-style-type: none"> <li>Check connectors and ensure they are securely connected</li> <li>Check for nicked or broken sensor wiring or connectors. Also check for corroded or wet connectors</li> <li>Measure resistance of sensor at connector (18 kΩ at 50°F, 10 kΩ at 77°F, 3 kΩ at 140°F)</li> <li>Replace controller.</li> </ul>
<p><b>Faulty Sensors</b></p> <p>Inlet / Outlet Sensors</p>  	<ul style="list-style-type: none"> <li>Faulty sensor wiring or faulty sensor.</li> <li>Inlet water temperature sensor.</li> <li>Heat exchanger water outlet temperature sensor.</li> <li>Faulty controller.</li> </ul>	<ul style="list-style-type: none"> <li>Check for nicked or broken sensor wiring or connectors. Also check for corroded or wet connectors.</li> <li>Measure resistance of sensor at connector (18 kΩ at 50°F, 10 kΩ at 77°F, 3 kΩ at 140°F)</li> <li>Replace controller</li> </ul>
<p><b>Heat Exchanger</b></p> <p>Outlet temperature exceeded set limit</p> 	<ul style="list-style-type: none"> <li>Flow rate changes excessive.</li> <li>Faulty sensor wiring.</li> <li>Faulty sensor.</li> <li>Faulty controller.</li> </ul>	<ul style="list-style-type: none"> <li>Ensure the water flow rate does not change faster than 2 GPM every 5 seconds.</li> <li>Check for nicked or broken sensor wiring or connectors. Also check for corroded or wet connectors.</li> <li>Measure resistance of sensor at connector (18 kΩ at 50°F, 10 kΩ at 77°F, 3 kΩ at 140°F).</li> <li>Replace controller.</li> </ul>

Description	Possible Cause	Remedy
<p><b>Flue</b> Temperature Exceeded Set Limit</p> 	<ul style="list-style-type: none"> <li>• Incorrect vent set up.</li> <li>• High inlet temperature.</li> <li>• Faulty sensor wiring.</li> <li>• Faulty sensor.</li> <li>• Faulty controller.</li> </ul>	<ul style="list-style-type: none"> <li>• If vent pipe material is CPVC or polypropylene, ensure that CPVC is selected in the vent material screen.</li> <li>• Ensure inlet temperature is lower than 150°F if vent pipe material is PVC or lower than 190°F if vent pipe material is CPVC or polypropylene.</li> <li>• Check for nicked or broken sensor wiring and connectors. Also check for corroded or wet connectors.</li> <li>• Measure resistance of sensor at connector (18 kΩ at 50°F, 10 kΩ at 77°F, 3 kΩ at 140°F).</li> <li>• Replace controller</li> </ul>
<p>Blocked Flue Fault</p> 	<ul style="list-style-type: none"> <li>• Exhaust blocked (bird, etc).</li> <li>• Backed up condensate.</li> <li>• Wiring loose (switch open).</li> </ul>	<ul style="list-style-type: none"> <li>• Check exhaust termination. Check exhaust connection at water heater. Install screens to prevent blockage.</li> <li>• Check slope of drain. Check for double loops, air locks, or debris in loop.</li> <li>• Check wiring.</li> </ul>
<p>Flue sensor</p>  	<ul style="list-style-type: none"> <li>• Unplugged connectors.</li> <li>• Faulty sensor wiring.</li> <li>• Faulty sensor.</li> <li>• Flue temperature sensor.</li> <li>• Inlet water temperature sensor.</li> <li>• Faulty controller.</li> </ul>	<ul style="list-style-type: none"> <li>• Check connectors and ensure they are securely connected</li> <li>• Check for nicked or broken sensor wiring or connectors. Also check for corroded or wet connectors</li> <li>• Measure resistance of sensor at connector (18 kΩ at 50°F, 10 kΩ at 77°F, 3 kΩ at 140°F)</li> <li>• Replace controller.</li> </ul>
<p><b>Cascading</b> Alert</p> 	<ul style="list-style-type: none"> <li>• Loss of communication between units.</li> </ul>	<ul style="list-style-type: none"> <li>• Check for broken or nicked communication cable or loose connector.</li> <li>• Ensure that the communication cable is not bundled or tied to any high voltage lines.</li> <li>• Ensure dip switch (SW3) is ON in first and last units and OFF in all other units.</li> <li>• Ensure each unit numbering is unique.</li> </ul>

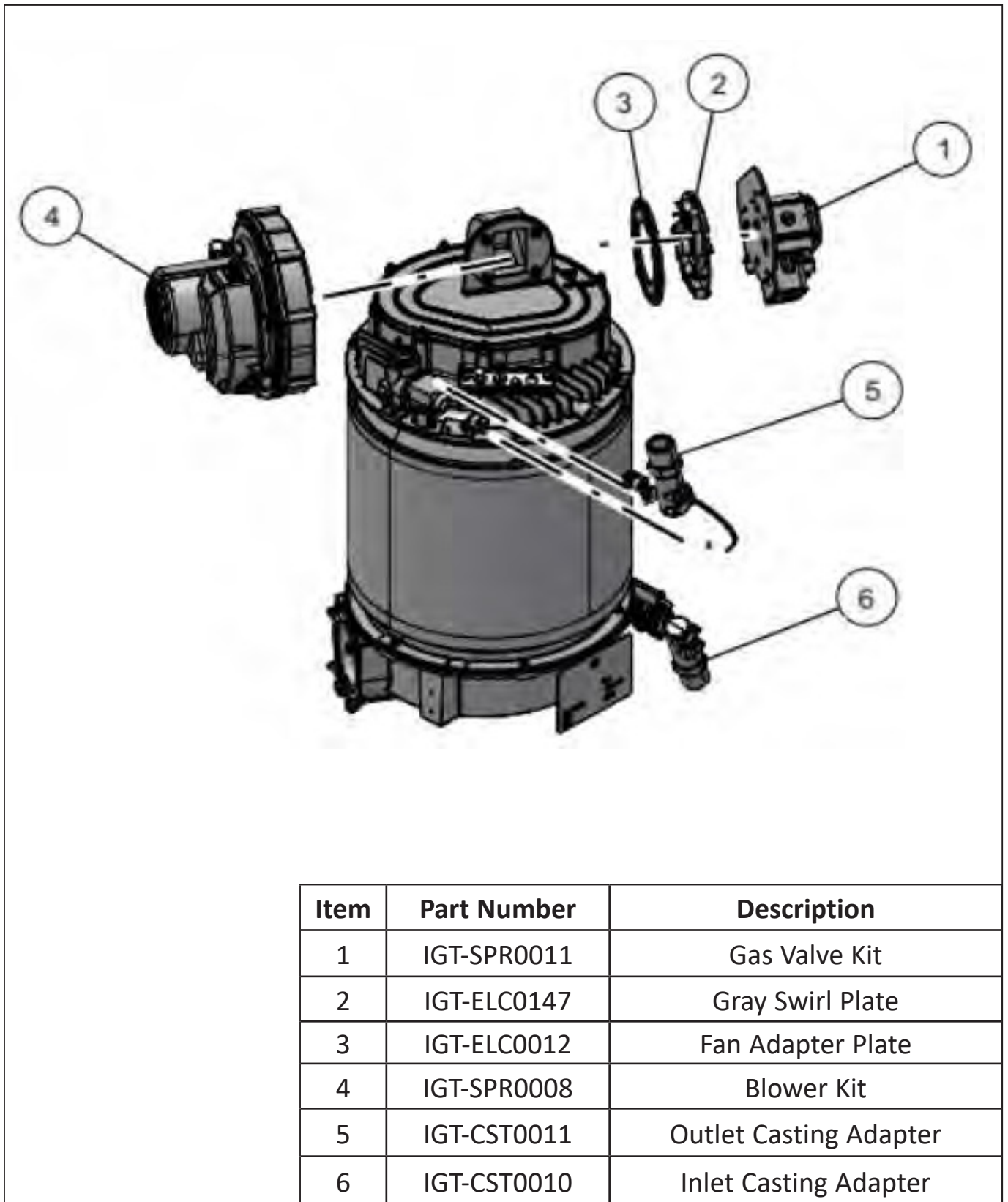
Description	Possible Cause	Remedy
<p><b>Water Valve</b></p> 	<ul style="list-style-type: none"> <li>· Faulty sensor wiring.</li> <li>· Water valve clogged or damaged.</li> </ul>	<ul style="list-style-type: none"> <li>· Check for nicked or broken sensor wiring or connectors. Also check for corroded or wet connectors.</li> <li>· Replace water valve.</li> </ul>
<p><b>Pump</b></p> 	<ul style="list-style-type: none"> <li>· Faulty pump wiring.</li> <li>· Pump fuse blown.</li> <li>· Faulty pump.</li> <li>· Faulty controller.</li> </ul>	<ul style="list-style-type: none"> <li>· Check for nicked or broken sensor wiring or connectors. Also check for corroded or wet connectors.</li> <li>· Replace fuse (5 Amp)</li> <li>· Replace pump.</li> <li>· Replace controller.</li> </ul>
<p><b>Fuel Type</b></p> 	<ul style="list-style-type: none"> <li>· Wrong fuel type being used.</li> </ul>	<ul style="list-style-type: none"> <li>· Use correct fuel type.</li> </ul>

Description	Possible Cause	Remedy
<p><b>Software</b></p> 	<ul style="list-style-type: none"> <li>• Incorrect settings.</li> <li>• Incompatible settings.</li> <li>• Incorrect software version.</li> <li>• Faulty wiring.</li> </ul>	<ul style="list-style-type: none"> <li>• Review and correct settings.</li> <li>• Review and correct settings.</li> <li>• Update software version.</li> <li>• Check for nicked or broken sensor wiring or connectors. Also check for corroded or wet connectors.</li> </ul>
<p><b>Manifold Sensors</b></p> 	<ul style="list-style-type: none"> <li>• Unplugged connectors.</li> <li>• Faulty sensor wiring.</li> <li>• Faulty sensor.</li> <li>• Flue temperature sensor.</li> <li>• Inlet water temperature sensor.</li> <li>• Faulty controller.</li> </ul>	<ul style="list-style-type: none"> <li>• Check connectors and ensure they are securely connected</li> <li>• Check for nicked or broken sensor wiring or connectors. Also check for corroded or wet connectors</li> <li>• Measure resistance of sensor at connector (18 kΩ at 50°F, 10 kΩ at 77°F, 3 kΩ at 140°F)</li> <li>• Replace controller.</li> </ul>
<p><b>System Alert / Fault</b></p> 	<ul style="list-style-type: none"> <li>• A system alert or fault is present (main menu screen).</li> <li>• Malfunction of monitored part or system.</li> </ul>	<ul style="list-style-type: none"> <li>• Press the Menu bar and refer to the remedy for indicated part or system.</li> </ul>

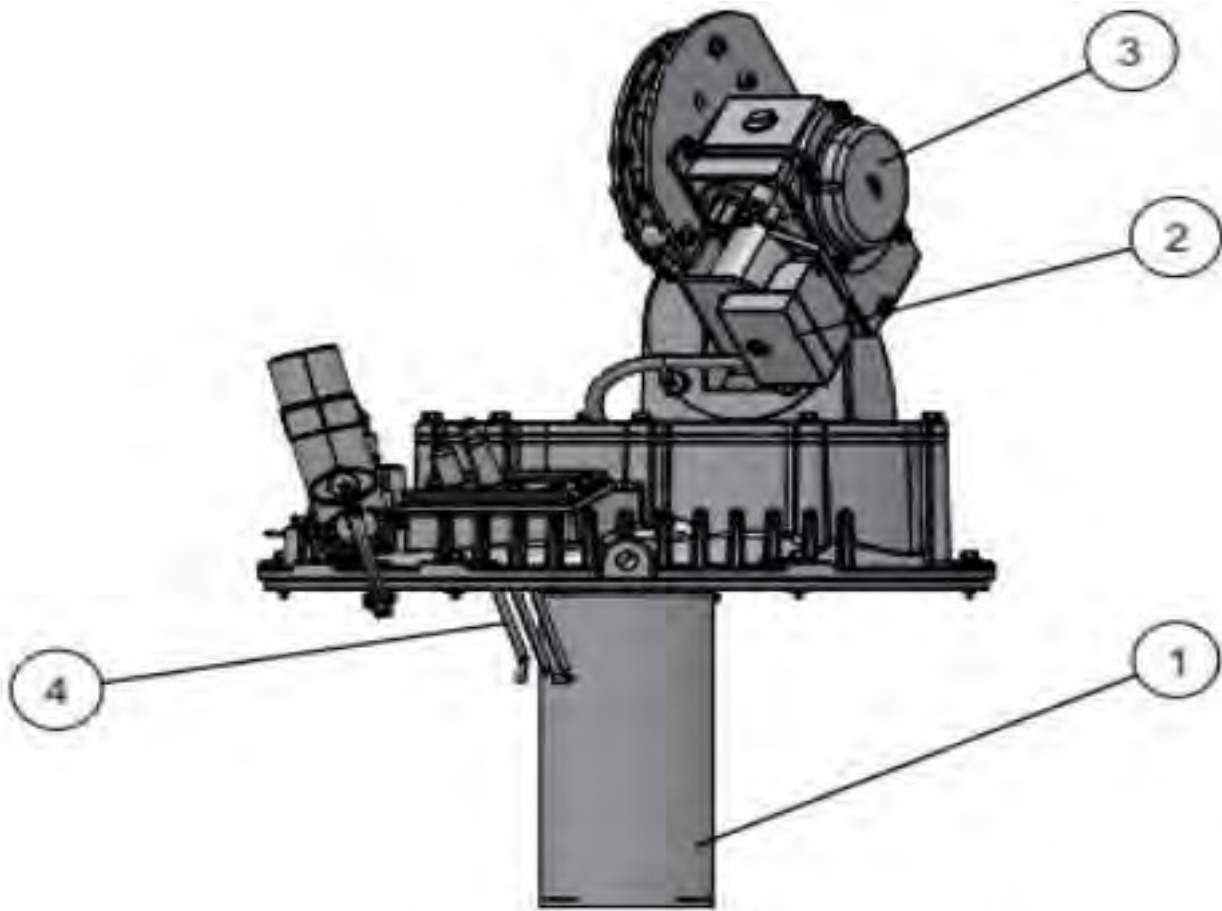
Description	Possible Cause	Remedy
<p><b>Alive</b></p> 	<ul style="list-style-type: none"> <li>Shows status of water heater.</li> <li>Sleep mode.</li> <li>Sleep mode passcode protected.</li> <li>Indicates a fault exists within the monitored parts or system.</li> </ul>	<ul style="list-style-type: none"> <li>Touch display screen to awake.</li> <li>Refer to the remedy for indicated part or system.</li> <li>Refer to the remedy for indicated part or system.</li> </ul>
<p><b>Service Alert</b></p> 	<ul style="list-style-type: none"> <li>A system alert or fault is present (main menu screen).</li> <li>Malfunction of monitored part or system.</li> </ul>	<ul style="list-style-type: none"> <li>Press the Menu bar and refer to the remedy for indicated part or system.</li> </ul>

## 16. Serviceable Parts

### 16.1. Blower & HEX Parts



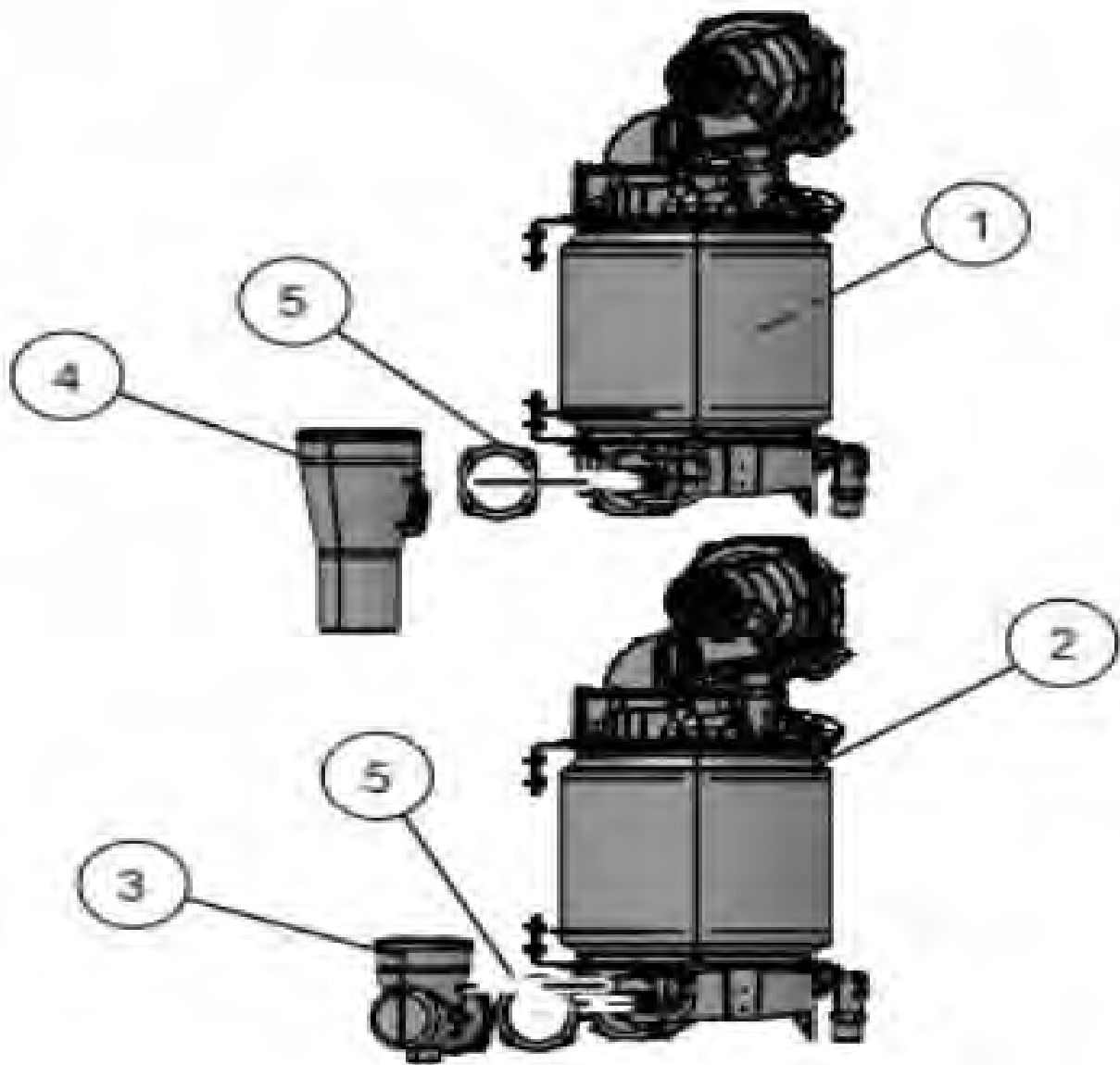
## 16.2. Burner, Electrode & Gas Valve



Item	Part Number	Description
1	IGT-SPR0111	Gen II V02 Burner Kit
2	IGT-ELC0020	Gas Valve Harness
3	IGT-SPR0011	Gas Valve Kit
4	IGT-SPR0106	Gen II V02 Electrode Kit

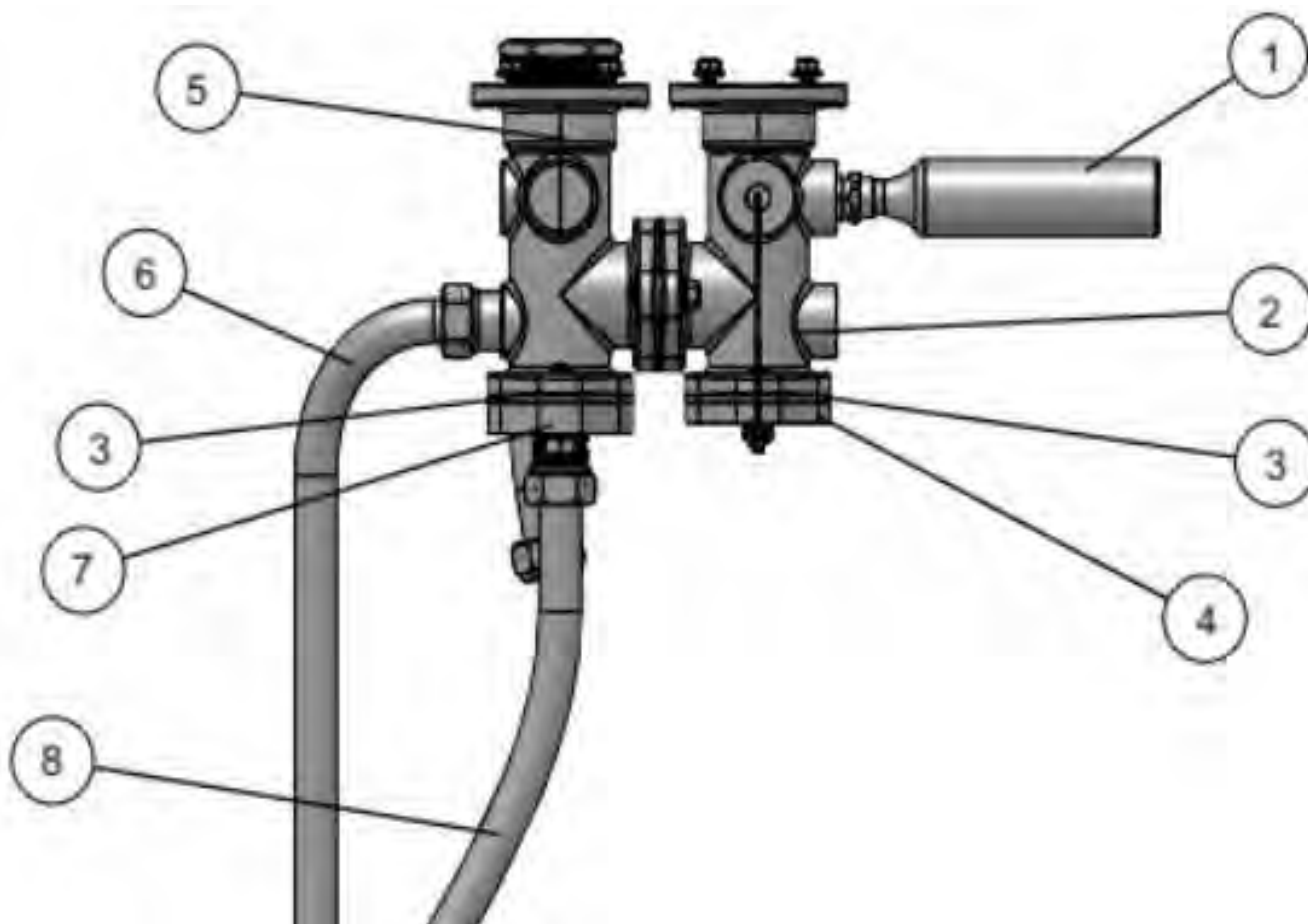


### 16.3. HEX & Sidecast



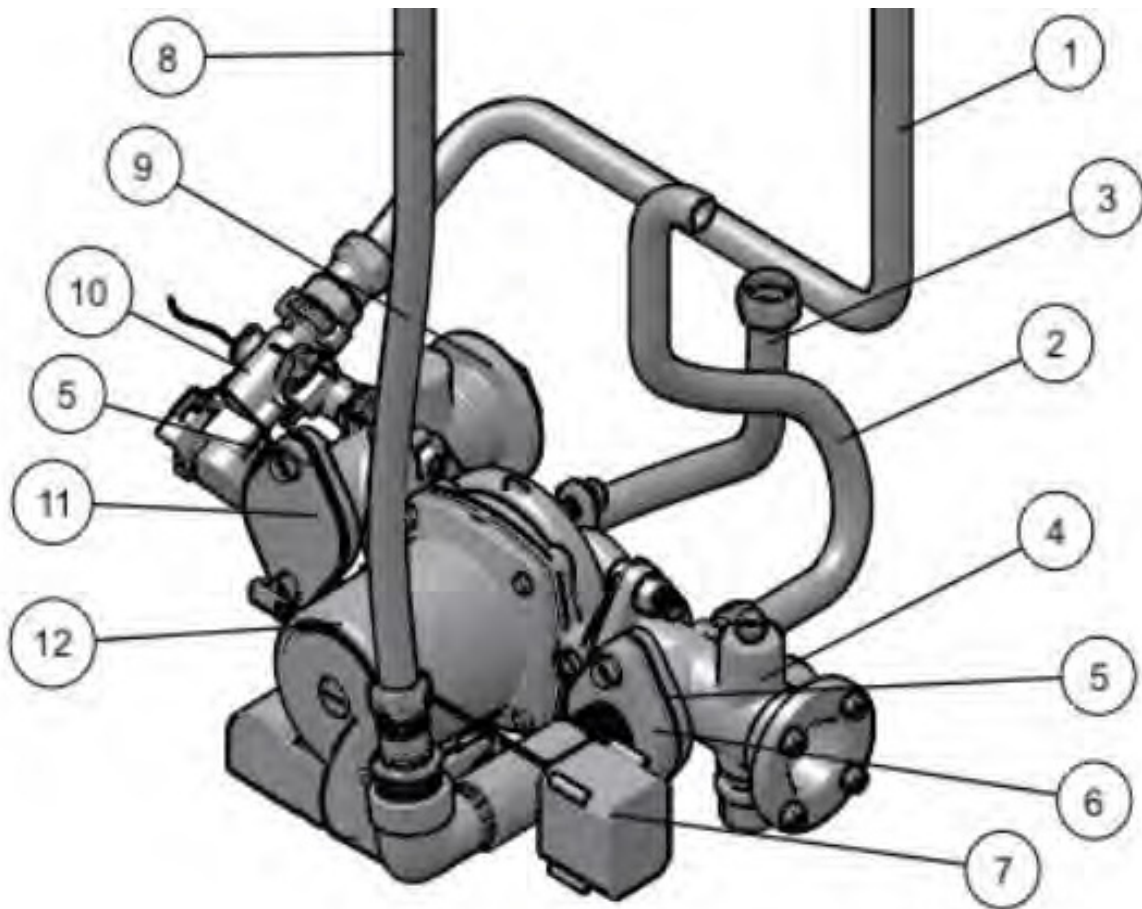
Item	Part Number	Description
1	IGT-SA0511	Top Heat Exchanger
2	IGT-SA0512	Bottom Heat Exchanger
3	IGT-CST0029	Side Cast - Exhaust, 3"
4	IGT-CST0035	Side Cast - Exhaust, 4" to 3"
5	IGT-SLS0083	Side Cast Seal

## 16.4. Water (hot water side)



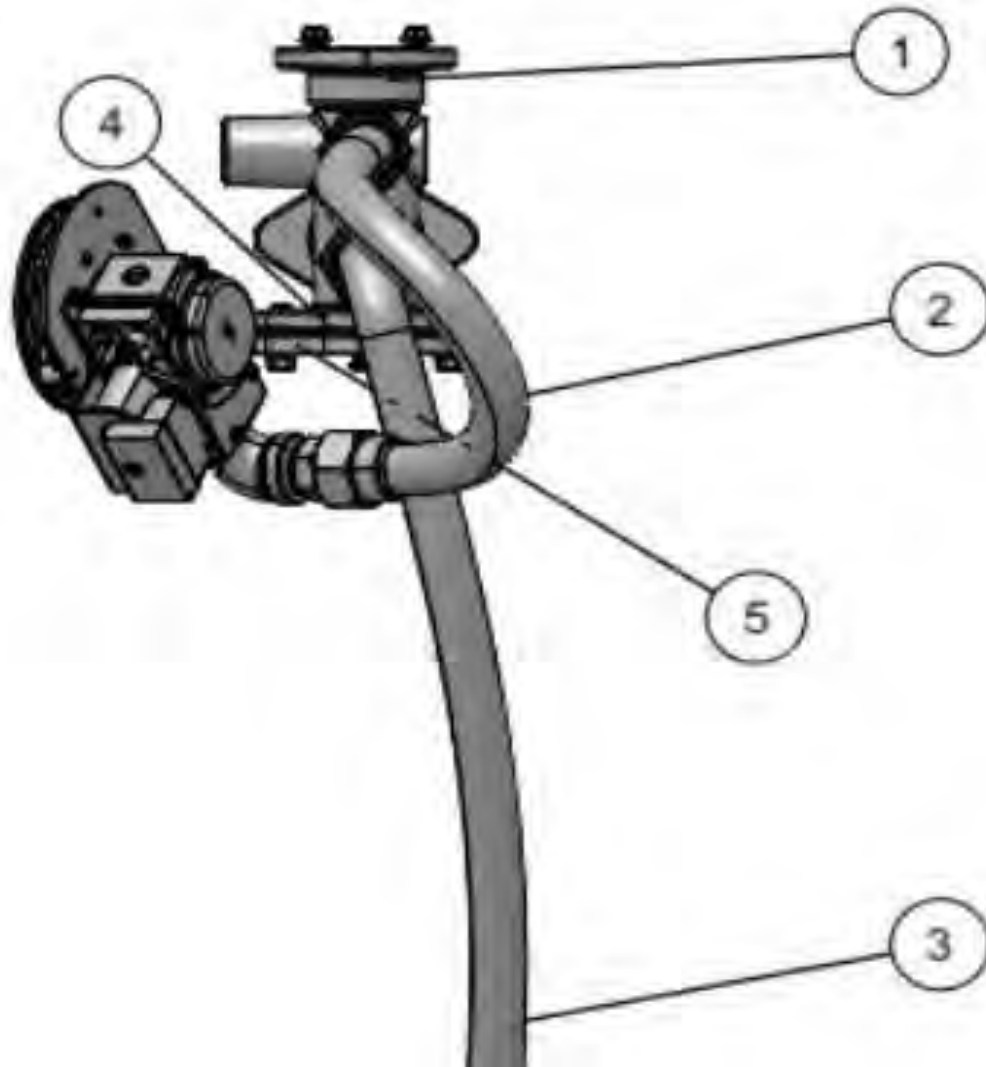
Item	Part Number	Description
1	IGT-PLG0018	Water Hammer Arrestor
2	IGT-FTT0235-3	Water out fitting, hot side
3	IGT-SLS0041	Flange Seal
4	IGT-SM0558	Close-off Plate
5	IGT-FTT0235-4	Water out fitting, T&P side
6	IGT-LNE0063	Corrugated Water line assembly
7	IGT-FTT0243-1	Flange Adapter fitting
8	IGT-LNE0064	Corrugated Water line assembly

## 16.5. Water (cold water side)



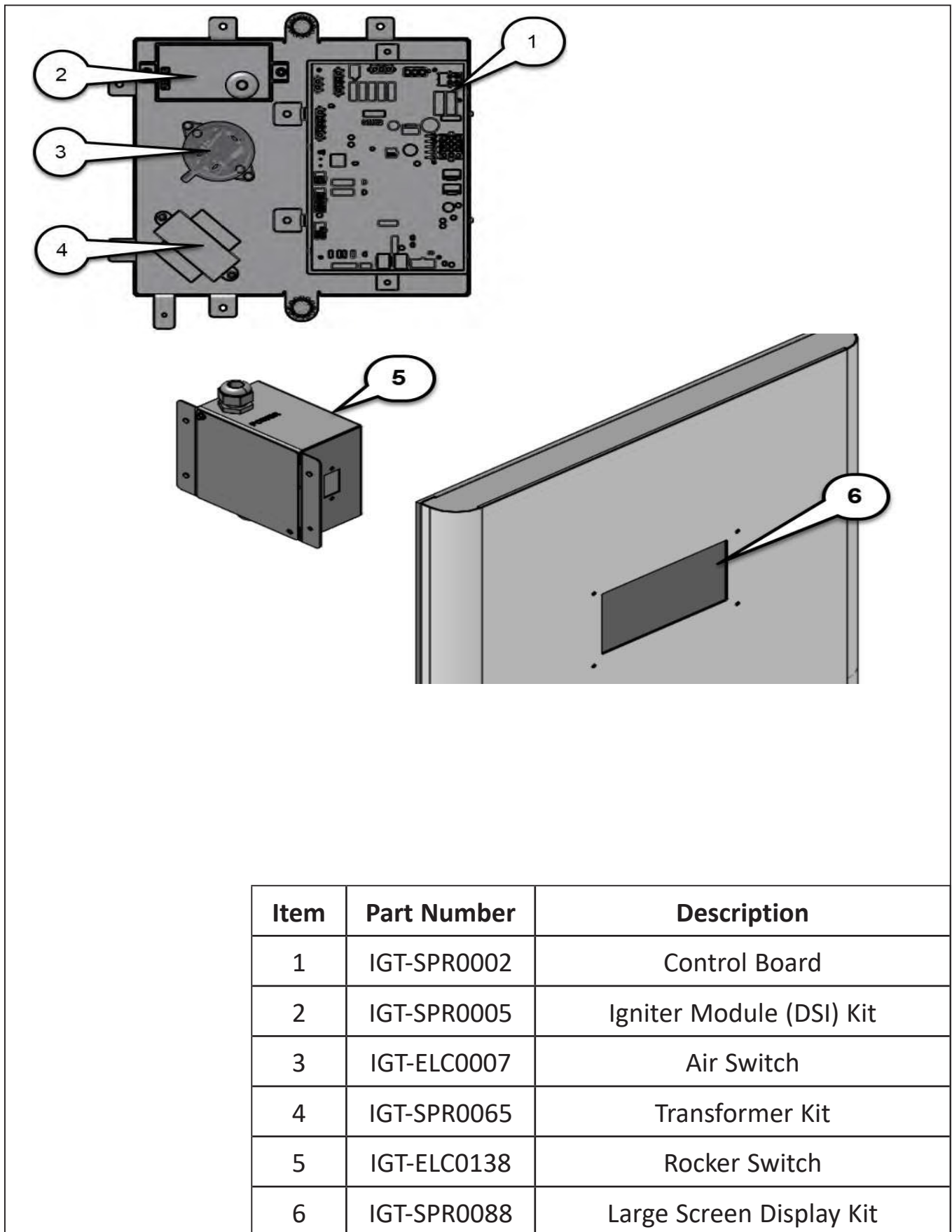
Item	Part Number	Description
1	IGT-LNE0059	Corrugated line assembly
2	IGT-LNE0053	Corrugated line assembly
3	IGT-LNE0061	Corrugated line assembly
4	IGT-FTT0235-1	Water In Fitting, Cold Side
5	IGT-SLS0041	Flange Seal
6	IGT-FTT0244	Flange Adapter Fitting
7	IGT-VL0019	Bypass Valve
8	IGT-LNE0064	Corrugated line assembly
9	IGT-FTT0235-2	Water in Fitting, Strainer
10	IGT-SPR0003	Water Valve kit
11	IGT-SM0558	Close off Plate fitting
12	IGT-SPR0075	Recirculation pump

## 16.6 Gas Connections



Item	Part Number	Description
1	IGT-FTT0235-5	Gas-in Casting
2	IGT-PLG0014	Gas Corrugated tube
3	IGT-PLG0015	Gas Corrugated tube
4	IGT-SLS0041	Flange Seal
5	IGT-SM0560	Close Off Plate

## 6.7. Electronics



## 16.8 Miscellaneous

<b>Part Number</b>	<b>Description</b>
IGT-ELC0092	25 ft cascading cable
IGT-ELC0232	50 ft cascading cable
IGT-SPR0110	Gen II V 2 Sensors Kit (includes Manifold inlet, Manifold outlet, Flue and Hotwater outlet sensors)
IGT-SPR0109	Gen II V 2 O-Ring kit
IGT-ELC0181	DSI to Electrode HV Cable
IGT-ELC0278	Heat Exchanger to Control board Complete Harness
IGT-ELC0279	Heat Exchanger to Water Valve Wiring Harness Set (top & bottom)
IGT-ELC0280	Mainfold Inlet Sensor Wiring Harness
IGT-ELC0281	Manifold Outlet Sensor Wiring Harness
IGT-ELC0284	Bypass Valve Wiring Harness
IGT-ELC0288	Display Wiring Harness
IGT-SPR0119	Neuron Wye Strainer Kit
IGT-SPR0118	BMS Kit (Factory Installed Option only)

## 17. Requirements for State of Massachusetts

---

### 17.1 Notice Before Installation

This appliance must be installed by a licensed plumber or gas fitter in accordance with the Massachusetts Plumbing and Fuel Gas Code 248 CMR Sections 2.00 and 5.00.

IMPORTANT: In the State of Massachusetts (248 CMR 4.00 & 5.00)

For all side wall horizontally vented gas fueled equipment installed in every dwelling, building or structure used in whole or in part for residential purposes, including those owned or operated by the Commonwealth and where the side wall exhaust vent termination is less than seven (7) feet above finished grade in the area of the venting, including but not limited to decks and porches, the following requirements shall be satisfied:

#### 1. INSTALLATION OF CARBON MONOXIDE DETECTORS.

At the time of installation of the side wall horizontal vented gas fueled equipment, the installing plumber or gasfitter shall observe that a hard wired carbon monoxide detector with an alarm and battery backup is installed on the floor level where the gas equipment is to be installed. In addition, the installing plumber or gasfitter shall observe that a battery operated or hard wired carbon monoxide detector with an alarm is installed on each additional level of the dwelling, building, or structure served by the side wall horizontal vented gas fueled equipment. It shall be the responsibility of the property owner to secure the services of qualified licensed professionals for the installation of hard wired carbon monoxide detectors.

- a. In the event that the side wall horizontally vented gas fueled equipment is installed in a crawl space or an attic, the hard wired carbon monoxide detector with alarm and battery back-up may be installed on the next adjacent floor level.
- b. In the event that the requirements of this subdivision cannot be met at the time of completion of installation, the owner shall have a period of thirty (30) days to comply with the above requirements; provided, however, that during said thirty (30) day period, a battery operated carbon monoxide detector with an alarm shall be installed.

#### 2. APPROVED CARBON MONOXIDE DETECTORS.

Each carbon monoxide detector, as required in accordance with the above provisions, shall comply with NFPA 720 and be ANSI/UL 2034 listed and IAS certified.

#### 3. SIGNAGE.

A metal or plastic identification plate shall be permanently mounted to the exterior of the building at a minimum height of eight (8) feet above grade directly in line with the exhaust vent terminal for the horizontally vented gas fueled heating appliance or equipment. The sign shall read, in print size no less than one-half (1/2) inch in size, "GAS VENT DIRECTLY BELOW. KEEP CLEAR OF ALL OBSTRUCTIONS".

#### 4. INSPECTION.

The state or local gas inspector of the side wall horizontally vented gas fueled equipment shall not approve the installation unless, upon inspection, the inspector observes carbon monoxide detectors and signage installed in accordance with the provisions of 248 CMR 5.08(2)(a)1 through 4.

## 18. Warranty

### 18.1 Warranty

#### General

This unit is warranted by Intellihot Inc., and covers defects in materials and workmanship, subject to the applicable time periods and terms below. The warranty effective start date begins on the date of commissioning, as shown on display.

This warranty is extended to the original purchaser and any subsequent owner at the original install location, and applies only when properly installed by a licensed contractor and operated in accordance with the instruction manuals. This warranty is limited to repairs or replacement of parts, at Intellihot's option that are proven to be defective under normal use and connected only to potable water systems.

#### Warranty Period

Commercial Domestic Hot Water (DHW) Warranty: Heat Engine coil - 10 years, Other Parts - 2 years.

#### Heat Exchanger Coil

The warranty period for a heat exchanger coil failure, when installed in a Commercial DHW application is ten (10) years from the effective start date.

#### All Other Parts and Components

The warranty period for any original parts (excluding the heat exchanger coil) against failure, is two (2) years from the date of commissioning. A replacement part will be warranted for the unexpired term of the original warranty. Defective parts submitted may not be returned. No returns will be accepted without prior authorization from Intellihot.

#### Definition of Potable water

Potable water is defined as drinkable water supplied from utility or well water in compliance with EPA secondary maximum contaminant levels (40 CFR part 143.3) as shown in the table.

Contaminant	Level
Aluminum	0.05 to 0.2 mg/l
Chloride	250 mg/l
Color	15 color units
Copper	1.0 mg/l
Corrosivity	Non-corrosive
Fluoride	2.0 mg/l
Foaming Agents	0.5 mg/l
Iron	0.3 mg/l
Manganese	0.05 mg/l
Odor	3 threshold odor number
pH	6.5-8.5 mg/l
Silver	0.1 mg/l
Sulfate	250 mg/l
Total dissolved solids (TDS)	500 mg/l
Zinc	5 mg/l

#### Shipping Costs

If a replacement part is supplied under the terms of this warranty, Intellihot will provide ground service delivery for the part free of charge. Any expedited shipping expense will be paid by the customer.

#### Water Hardness Criteria

This warranty applies only when the water quality and supply meets the parameters outlined in the table below.

To use the table, locate the desired unit setpoint temperature on the left side of the table. Then locate the incoming water pressure across the top. The corresponding value in the table is the maximum allowable hardness in grains per gallon (gpg).

Unit Setpoint (°F)	Maximum Allowable Hardness (grains per gallon, gpg)					
	Incoming Water Pressure (psi)					
	30	40	50	60	80	100
100-119	8	15	20	25	30	30
120-139°	5	11	15	20	27	30
140-159°	4	5	11	13	18	20
160-190°	3	4	10	12	15	17



## Not Covered by this Warranty

This warranty does not cover failures or problems due to:

- Failure to install in accordance with applicable building codes, ordinances, normal plumbing, or electrical trade practices.
- Improper installation, improper use, improper maintenance, improperly made replacements or repairs, accidents or abuse.
- Sediment deposits, fire, flood, lightning, freezing, and acts of God, or any causes other than defects in materials and workmanship.
- The unit is installed without consideration for an adequate drain to accommodate leaks,
- The unit installed where the leakage could result in damage to the area adjacent to the water heater or to the lower floors of the building.
- Damages due to improper/inadequate water hardness treatment or damages from scale formation due to water hardness.
- Water heater's usage flow rate required a water hammer arrestor, but water hammer arrestor not installed.
- Electrical failures due to inadequately sized electrical breaker or inadequately sized wire
- Not performing recommended maintenance.
- Not properly electrically grounding the unit or not following the electrical grounding requirements.

This warranty will be void and have no effect if:

- The unit is modified or altered in any way.
- Appliance(s) or equipment are attached to the unit that have not been approved by Intellihot Inc.
- If the unit is used exclusively as a booster heater for a commercial dishwasher, or if the water from a reverse osmosis or deionized process is run directly through the unit.
- The serial number is altered, defaced, or discarded.

## Warranty Limitations

This warranty applies only when the unit is used in the United States or Canada. Except for the limited warranties provided above, Intellihot Inc. disclaims any and all other warranties, including but not limited to warranties of merchantability and fitness for a particular purpose; provided however, that implied warranties of merchantability and fitness for a particular purpose are not disclaimed during the 1-year period from the date of commissioning. Intellihot shall not be liable for indirect, special, incidental, consequential, or other similar damages, including lost profits, arising from or relating to the unit. This warranty gives you specific legal rights, and you may also have other rights which vary from state to state.

## How to Make a Claim

The warranty claim can be submitted online at <https://www.intellihot.com/warranty-claim/>

or

by calling (877) 835-1705. Proof of purchase in the form of a dated sales receipt or warranty registration should be included with your claim. The product owner should submit the warranty claim directly to Intellihot at the following address:

Intellihot Inc.  
Attn: Warranty Claims  
2900 W. Main St.  
Galesburg, IL 61401

All parts claimed to be defective may be requested to be returned to Intellihot for examination prior to full claim settlement. Please include the following information on your warranty claim:

- Model number and serial number of the unit.
- Date of original purchase.
- Owner's name and address.
- A description of the problem with the part and unit.

# 19. Product Warranty

## 19.1 Warranty

To register via the telliCare app, refer to "12.10.3 telliCare Service (Subscribe at Startup)" on page 44.

Warranty Registration  
Intellihot Inc.  
2900 W. Main Street  
Galesburg, IL 61401

Or fill out the information in the form below and mail to the following address:

Make a copy or cut here to remove page.

Model: \_\_\_\_\_

Serial Numbers (up to 4):

\_\_\_\_\_  
\_\_\_\_\_  
\_\_\_\_\_  
\_\_\_\_\_

Owner Information:

Name: \_\_\_\_\_

Address: \_\_\_\_\_

City, State, Postal Code: \_\_\_\_\_

Phone Number: \_\_\_\_\_

Dealer Information:

Sold By: \_\_\_\_\_

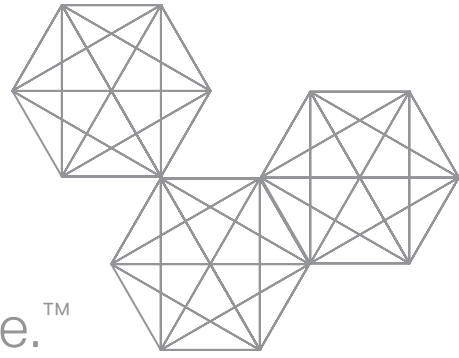
Address: \_\_\_\_\_

City, State, Postal Code: \_\_\_\_\_

Phone Number: \_\_\_\_\_

This page has been intentionally left blank.

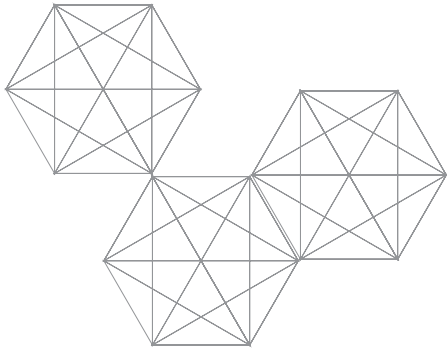




Endless water. Zero waste.™







# Intellihot

03-2023  
Part#: IGT-MNL0047

